



## MOTOR DATA SHEET

**MOTOR PART CODE:**

**0.3743TECAB5**

**FRAME SIZE:**

**712-4**

**50Hz**

Output (kW)	0.37
Rotation Speed (rpm)	1370
Voltage	230/400
Full Load Current (A)	1.92   1.11
Full Load Torque (Nm)	2.57919708

**60Hz**

Output (kW)	0.444
Rotation Speed (rpm)	1644
Voltage	276   480
Full Load Current (A)	1.92   1.11
Full Load Torque (Nm)	2.15

### Efficiency Data

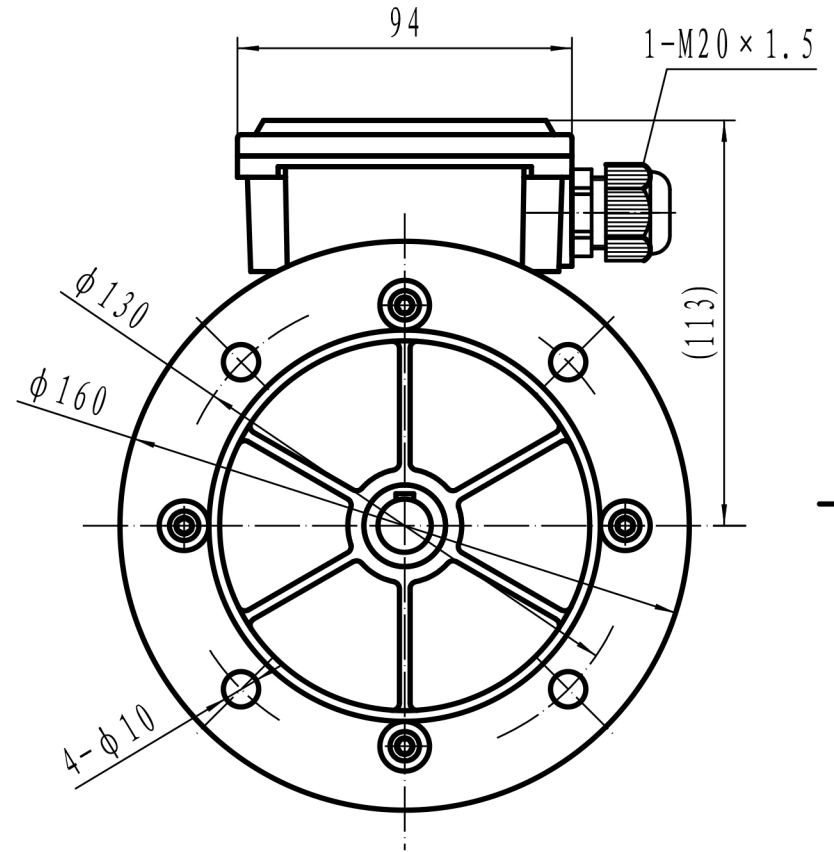
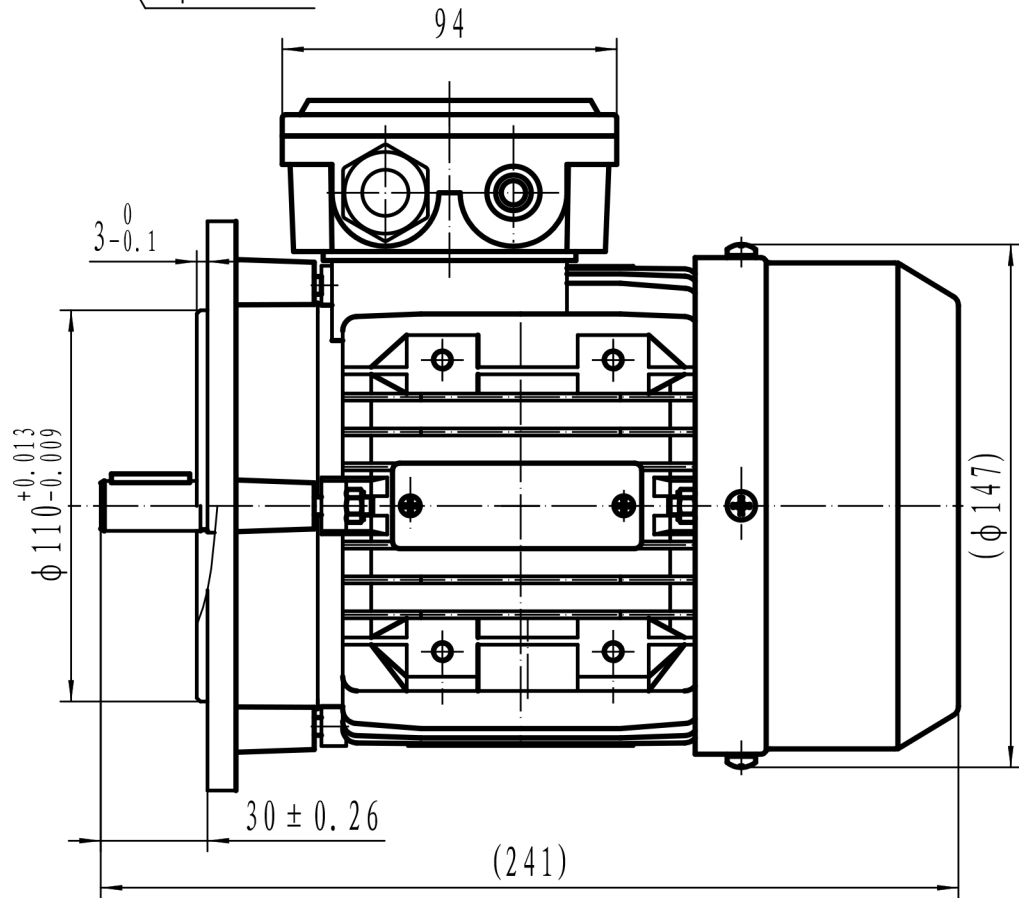
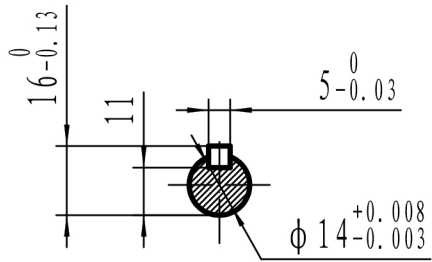
100%	75%	50%
65	64	58

Factory Reference	MS712-4
Tst/Tn (times)	2.2
Tmax/Tn	2.4
Noise (dB)	55
Moment of inertia	0.000714289
Type of feet	Not Fitted
Protection	IP55
Rotation Direction	F / R
Cable Glands	1 - M20× 1.5
Paint Colour	RAL 7024
Efficiency	IE1
Bearing (DE)	6202 2RS C3

Power Factor (cos)	0.74
Tmin/Tn	1.7
Ist/In (Times)	6
Net Weight (Kg)	5.8
Housing material	Aluminum
Insulation Class	F
Thermal Protection	PTC 130°C
Duty Cycle	S1
Cooling	IC411
Ambient Temperature	-20°C to +40°
Bearing Brand	NSK
Bearing (NDE)	6202 2RS C3

*Motors designed and manufactured in accordance with:*

**IEC 60034  
IEC 60038  
IEC 60072  
2014/30/EU (EMC)  
2014/35/EU (LVD)  
2011/65/EU (RoHS 2)**



Drawn By	Date	<b>TECA 71 B5</b>
TECHTOP	27/11/2017	
Approved by	Date	
L. Overton	27/11/2017	
Issue No =	Date	
001/A	27/11/2017	