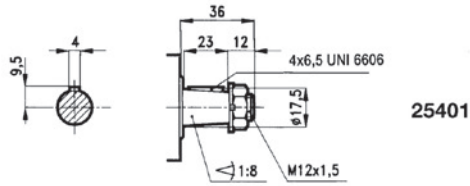
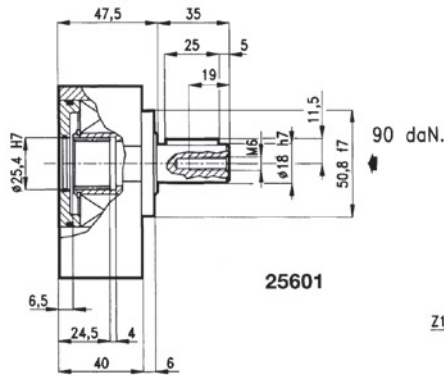
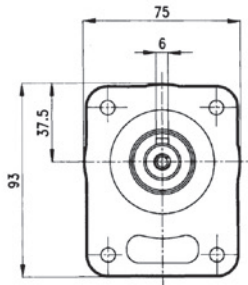


GROUP 1 BEARING SUPPORT



25401

100 daN.
 ↘ 75 daN.



25601

90 daN.

