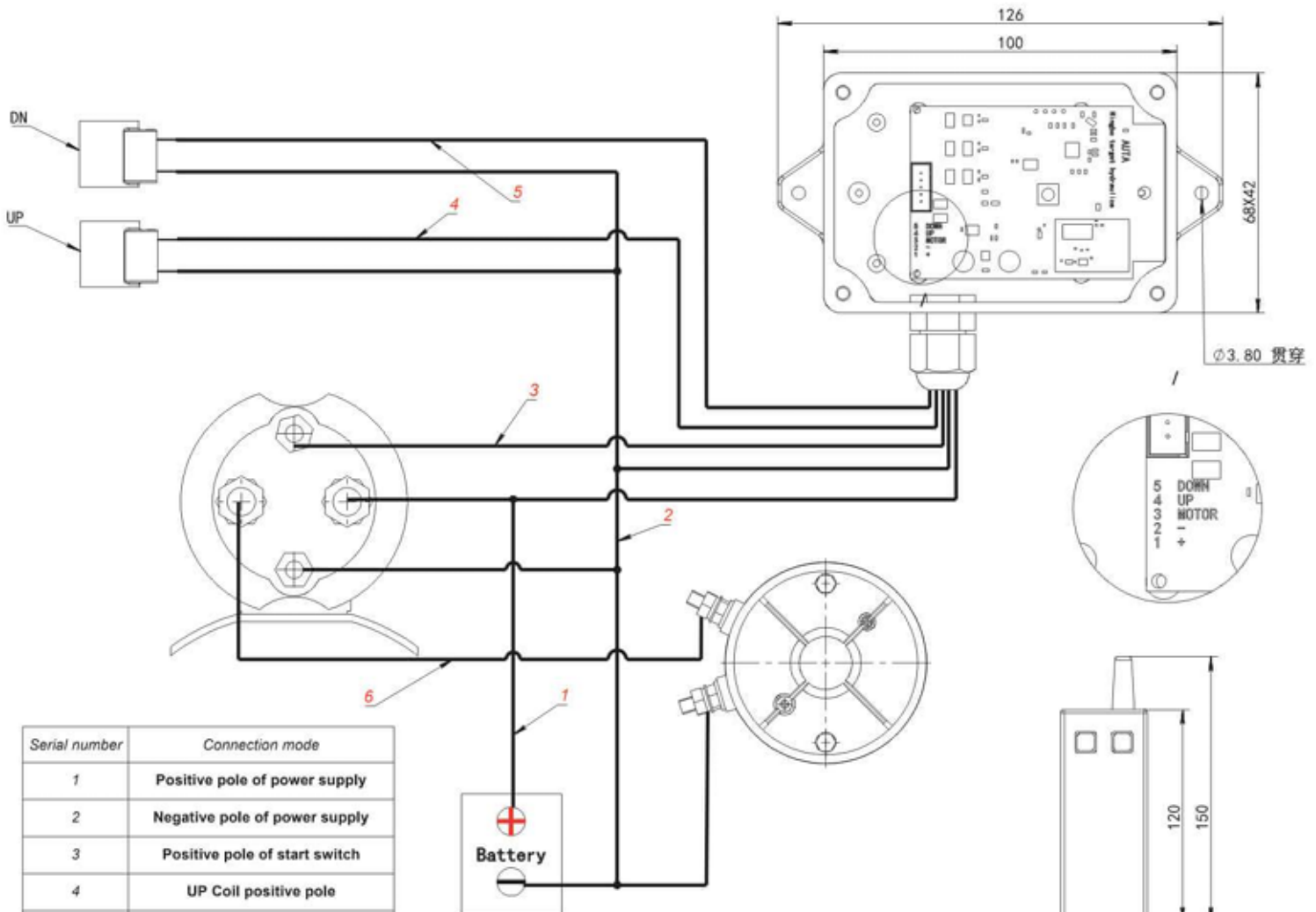


Double Action Wireless Remote Wiring Diagram

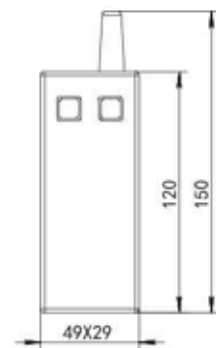
ITEM	Wireless Remote
CODE	WRCP-2-D

Voltage	DC12V
Suit With	DC24V

30 METERS AWAY



Serial number	Connection mode
1	Positive pole of power supply
2	Negative pole of power supply
3	Positive pole of start switch
4	UP Coil positive pole
5	DOWN Coil positive pole
6	Motor connection line(16FC)



Two- Button Remote Control Switch