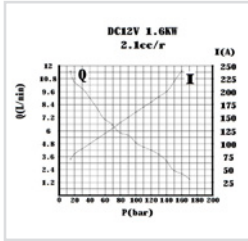
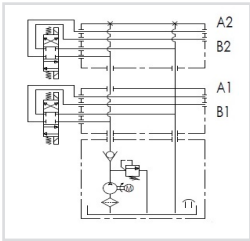


# UNBRANDED 24VDC DOUBLE ACTING, DOUBLE NG6 (CETOP 3) SOLENOID VALVE POWER PACKS



The 24VDC Double Acting Double CETOP power pack is ideal for use in the following applications:

- Tail Lift/Extender
- Hoists/Winches
- Trailer/Tipper
- Compactors
- Hand operated lift stacker
- Parking Systems/Barriers
- Scissor Lift Platform
- Security Gates
- Aerial Platform
- Dock Leveler

The 12VDC Double Acting Double CETOP power pack is a compact and quiet unit, able to deliver a flow rate of up to 5 litres a minute at 160 bar. The compact design includes two CETOP 3 double acting solenoid valves operating two separate circuits, a relief valve and a flow controller mounted within the housing and comes complete with a detachable pre-wired 4 button pendant and 4.5 litre plastic tank as standard.

Options available include an 8.0 litre plastic tank for increased capacity on larger systems.

The 12VDC Double Acting power pack will require a high capacity battery and a suitable in-line fuse for normal operation.

The motor is designed for intermittent use (S3) which is defined as a sequence of identical cycles of 10 minute duration. The cycle comprises a period of on-load (td) operation in which the motor may reach its maximum permitted temperature, followed by an off-load period (tm) of time, insufficient for the motor to return to ambient temperature. The value of S3 on this motor equates to 7% or 42 seconds of on-load operation in a ten minute period.

## 24VDC Double Acting, Double NG6 Solenoid Valve Hydraulic Powerunit

POWERUNIT PACKAGE to operate two double acting cylinders independantly on a variety of applications, complete with four button pendant.

24VDC powerunit.

2.1cc/rev gear pump.

1.6kw 24VDC electric motor c/w relay and plastic motor cover.

4.5 Litre or 8.0 Litre reservoir c/w drain plug.

Powerpack complete with suction strainer, return oil conveyor and filler breather.

Horizontal mounting.

Max pressure 200 bar.

Relief valve set at 160 bar but adjustable from 40-200 bar as standard.

Max flow 5 l/min.

Relief valve and P line check.

Port size 3/8" BSP.

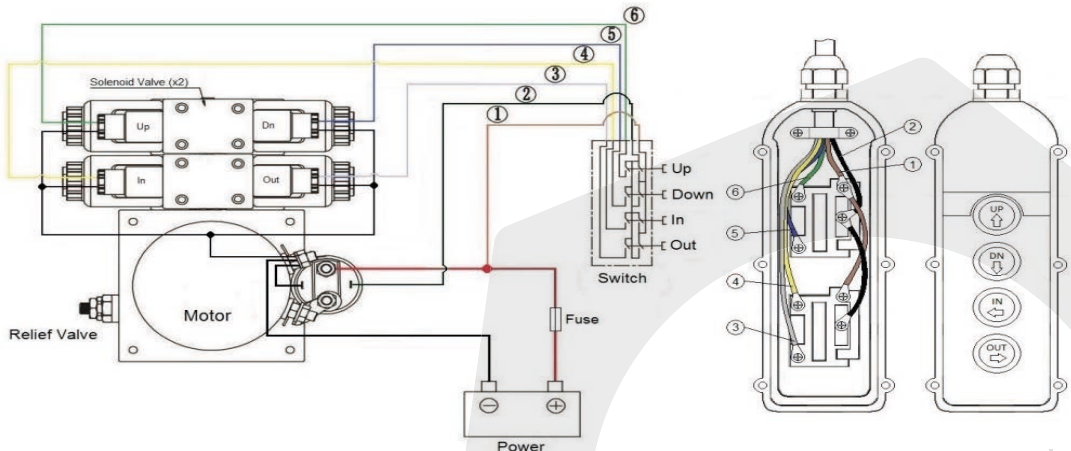
4 Button pendant on a 4 metre lead.

Suitable for all double acting applications.

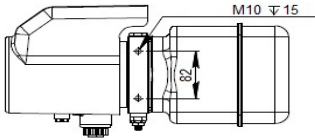
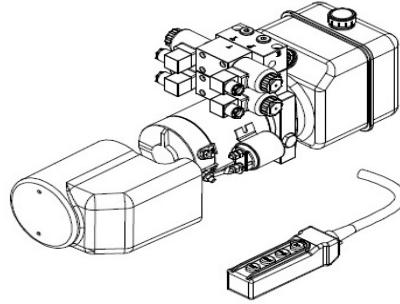
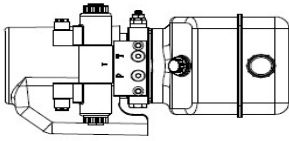
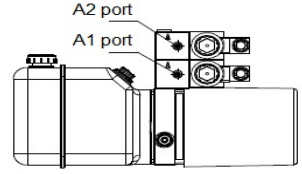
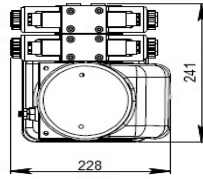
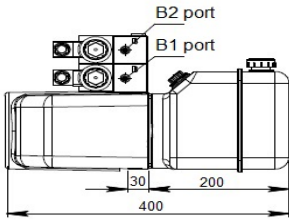
WITH MANY ADDED FEATURES SUCH AS REMOVEABLE PLASTIC MOTOR COVER AND A VARIATION ON WHICH RELIEF VALVE SPRING IS FITTED YOU ARE GETTING AN EXCEPTIONALLY GOOD QUALITY PRODUCT AT A VERY COMPETITIVE PRICE

\*Please note. Our DC power units can pull 200 amps at full load, if fusing is a requirement a 210 amp fuse should be used. A minimum 25mm<sup>2</sup> cable at a max 5 metres in length should be used and negative cable should be in one continuous length from the battery terminating at the power unit.

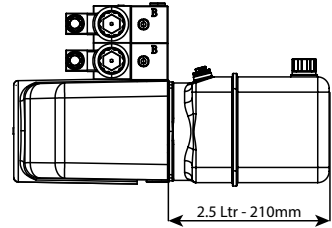
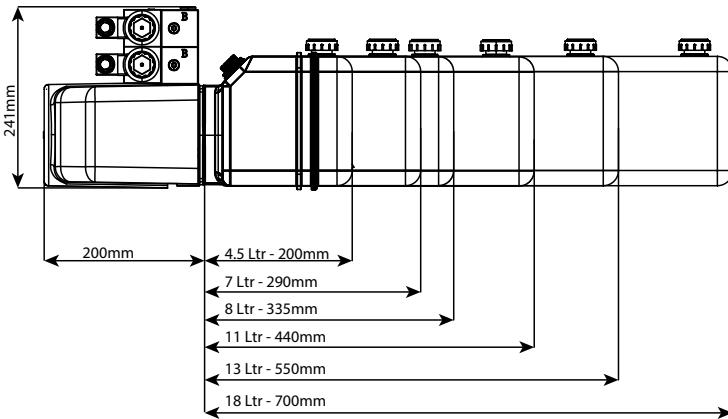
## DOUBLE ACTING, DOUBLE NG6 SOLENOID VALVE WIRING DIAGRAM



**4.5 LITRE POWER PACK DIMENSIONS**



**DC DOUBLE ACTING, DOUBLE SOLENOID POWER PACK TANK SIZE DIMENSIONS**



Serial number	Connection mode
1	Positive pole of power supply
2	Negative pole of power supply
3	Positive pole of start switch
4	UP Coil positive pole
5	DOWN Coil positive pole
6	LEFT Coil positive pole
7	Right Coil positive pole
8	Motor connection line(16FC)

