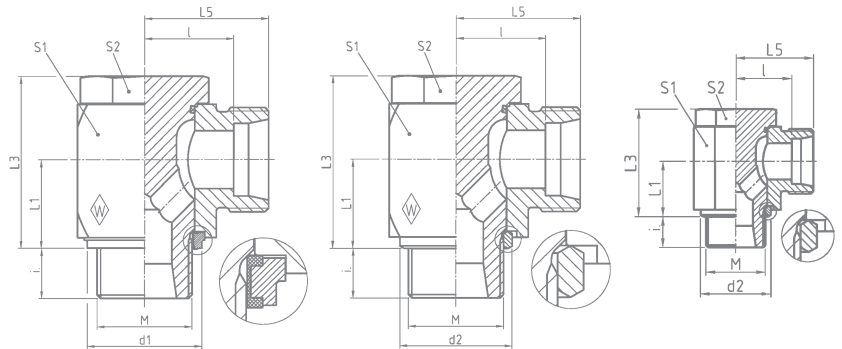
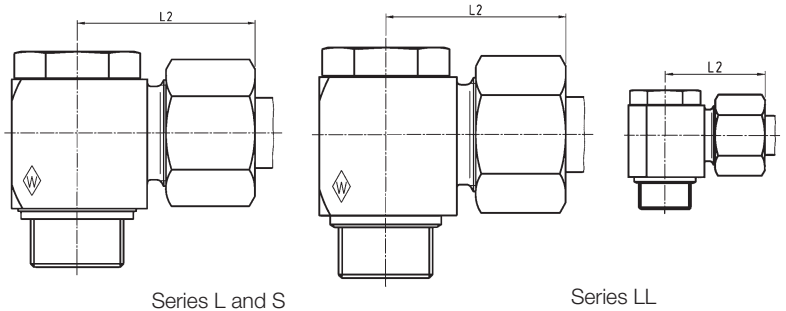


**P-RSWV ..... M**

Stud thread: metric (parallel)

with elastomer seal

with metallic seal



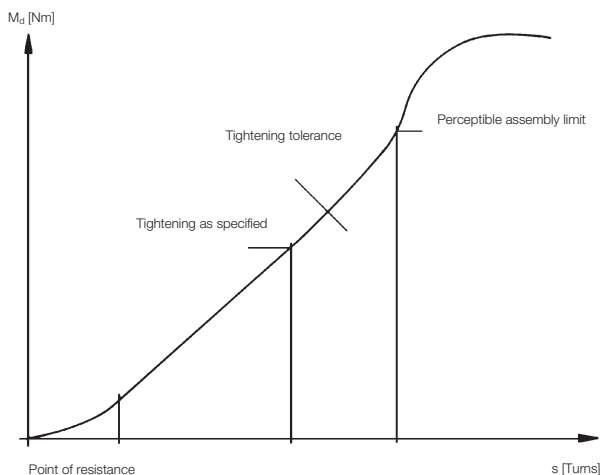
Series bar Tube OD

kg per 100 pcs.

			<b>M</b>		L <sub>1</sub>	L <sub>2</sub>	L <sub>3</sub>	L <sub>5</sub>	l	i	d <sub>1</sub> max.	d <sub>2</sub>	S <sub>1</sub>	S <sub>2</sub>	
LL	100 (1450)	4	<b>M 8 x 1</b>	3,4	8	22,5	17	17	13	6		12,5	12	12	
		6	<b>M 10 x 1</b>	4,2	10	26	21	20	14,5	8		14,5	14	14	
		8	<b>M 10 x 1</b>	4,5	10	26	21	20	14,5	8		14,5	14	14	
L	500 (7252)	6	<b>M 10 x 1</b>	5,9	10	27,5	21	20	13	8	14,9	13	14	14	
		8	<b>M 12 x 1,5</b>	9,0	13,5	28,5	27	21	14	10	17,9	17,8	19	19	
		10	<b>M 14 x 1,5</b>	10,3	13,5	29,5	27	22	15	10	19,9	17,8	19	19	
	400 (5801)	12	<b>M 16 x 1,5</b>	15,8	16	32	32,5	24,5	17,5	10	21,9	21	24	22	
		315 (4569)	12	<b>M 18 x 1,5</b>	16,9	18,5	34,5	36	27	20	10	23,9	23	24	22
		400 (5801)	15	<b>M 18 x 1,5</b>	20,9	18,5	35	37	27	20	10	23,9	23	27	24
		400 (5801)	18	<b>M 22 x 1,5</b>	31,9	21,5	36,5	43	28	20,5	12	27,9	27	30	27
250 (3626)	22	<b>M 26 x 1,5</b>	48,6	24	43	48	34,5	27	16	31,9	31	36	32		
	28	<b>M 33 x 2</b>	88,5	30,5	48	59	39	31,5	18	39,9	39	46	41		
	35	<b>M 42 x 2</b>	151,0	35,5	57	70	46	35,5	20	49,9	49	55	50		
500 (7252)	6	6	<b>M 12 x 1,5</b>	8,5	13,5	30,5	27	23	16	10	17,9	17,8	19	19	
		8	<b>M 14 x 1,5</b>	10,4	13,5	30,5	27	23	16	10	19,9	17,8	19	19	
		10	<b>M 16 x 1,5</b>	16,9	16	34	32,5	25,5	18	10	21,9	21	24	22	
400 (5801)	12	<b>M 18 x 1,5</b>	22,2	18,5	35,5	37	27	19,5	10	23,9	23	27	24		
	14	<b>M 20 x 1,5</b>	28,0	19,5	39,5	41	30	22	12		25	30	27		
	16	<b>M 22 x 1,5</b>	32,3	21,5	39,5	43	30	21,5	12	27,9	27	30	27		
S	315 (4569)	20	<b>M 27 x 2</b>	51,9	24	47,5	48	36,5	26	16	32,9	32	36	32	
		25	<b>M 33 x 2</b>	103,3	30,5	55	59	43	31	18	39,9	39	46	41	
	250 (3626)	30	<b>M 42 x 2</b>	163,9	35,5	63	70	50	36,5	20	49,9	49	55	50	
		38	<b>M 48 x 2</b>	252,7	40,5	71,5	80	57	41	22	55,9	55	65	55	

L<sub>2</sub> = approximate length with nut tightened

**Very safe assembly**



- easy assembly
- re-tightening under pressure is possible
- radial dismantling possible
- only three components
- one-piece bolt
- secure interconnection of elastomer seal and retaining ring
- high safety against excessive tightening

With special application conditions (e. g. higher temperatures or aggressive fluids) remove O-ring for the version with metallic sealing edge!

RSWS with elastomer seal		RSWS with metallic seal		Individual components				
Type	Reference	Type	Reference	Body Reference	Bolt with O-ring (NBR)* Reference	O-ring (NBR)* Dimension	Retaining ring with captive seal (NBR)*	edge ring Reference
		<b>S-RSWV 4LLM</b>	<b>WAL607024</b>	WAL608332	WAL606514	6,5 x 1,5 WAL605948		WAL608323
		<b>S-RSWV 6LLM</b>	<b>WAL607025</b>	WAL608334	WAL606515	8,5 x 1,5 WAL304288		WAL605824
		<b>S-RSWV 8LLM</b>	<b>WAL607026</b>	WAL608335	WAL606515	8,5 x 1,5 WAL304288		WAL605824
<b>P-RSWV 6LM-WD</b>	<b>WAL607075</b>	<b>P-RSWV 6LM</b>	<b>WAL607027</b>	WAL605763	WAL606515	8,5 x 1,5 WAL304288	WAL606481	WAL605824
<b>P-RSWV 8LM-WD</b>	<b>WAL607076</b>	<b>P-RSWV 8LM</b>	<b>WAL607028</b>	WAL605766	WAL606517	11 x 2 WAL023492	WAL606483	WAL606739
<b>P-RSWV 10LM-WD</b>	<b>WAL607077</b>	<b>P-RSWV 10LM</b>	<b>WAL607029</b>	WAL605768	WAL606518	11 x 2 WAL023492	WAL606484	WAL605825
<b>P-RSWV 12LM-WD</b>	<b>WAL607078</b>	<b>P-RSWV 12LM</b>	<b>WAL607030</b>	WAL605770	WAL606520	14,5 x 2 WAL605949	WAL606485	WAL605826
<b>P-RSWV 12L/M18</b>	<b>WAL607079</b>	<b>P-RSWV12L/M18</b>	<b>WAL607031</b>	WAL607124	WAL606521	14,5 x 2 WAL605949	WAL606500	WAL605830
<b>x1,5-WD</b>		<b>x1,5</b>						
<b>P-RSWV 15LM-WD</b>	<b>WAL607080</b>	<b>P-RSWV 15LM</b>	<b>WAL607032</b>	WAL605773	WAL606524	16,5 x 2 WAL605950	WAL606486	WAL605830
<b>P-RSWV 18LM-WD</b>	<b>WAL607081</b>	<b>P-RSWV 18LM</b>	<b>WAL607033</b>	WAL605777	WAL606526	19,5 x 2 WAL605951	WAL606490	WAL605832
<b>P-RSWV 22LM-WD</b>	<b>WAL607082</b>	<b>P-RSWV 22LM</b>	<b>WAL607034</b>	WAL605779	WAL607399	26 x 1,5 WAL605952	WAL606491	WAL606455
<b>P-RSWV 28LM-WD</b>	<b>WAL607083</b>	<b>P-RSWV 28LM</b>	<b>WAL607035</b>	WAL605781	WAL607402	31 x 2 WAL250258	WAL606495	WAL605834
<b>P-RSWV 35LM-WD</b>	<b>WAL607084</b>	<b>P-RSWV 35LM</b>	<b>WAL607036</b>	WAL605783	WAL607404	40 x 2 WAL261157	WAL606496	WAL605835
<b>P-RSWV 42LM-WD</b>	<b>WAL607085</b>	<b>P-RSWV 42LM</b>	<b>WAL607037</b>	WAL605785	WAL607406	46 x 2 WAL605953	WAL606498	WAL605836
<b>P-RSWV 6SM-WD</b>	<b>WAL607086</b>	<b>P-RSWV 6SM</b>	<b>WAL607038</b>	WAL605765	WAL606517	11 x 2 WAL023492	WAL606483	WAL606739
<b>P-RSWV 8SM-WD</b>	<b>WAL607087</b>	<b>P-RSWV 8SM</b>	<b>WAL607039</b>	WAL605767	WAL606518	11 x 2 WAL023492	WAL606484	WAL605825
<b>P-RSWV 10SM-WD</b>	<b>WAL607088</b>	<b>P-RSWV 10SM</b>	<b>WAL607040</b>	WAL605769	WAL606520	14,5 x 2 WAL605949	WAL606485	WAL605826
<b>P-RSWV 12SM-WD</b>	<b>WAL607089</b>	<b>P-RSWV 12SM</b>	<b>WAL607041</b>	WAL605772	WAL606524	16,5 x 2 WAL605950	WAL606486	WAL605830
		<b>P-RSWV 14SM</b>	<b>WAL607042</b>	WAL605774	WAL606525	19,5 x 2 WAL605951		WAL605831
<b>P-RSWV 16SM-WD</b>	<b>WAL607091</b>	<b>P-RSWV 16SM</b>	<b>WAL607043</b>	WAL605776	WAL606526	19,5 x 2 WAL605951	WAL606490	WAL605832
<b>P-RSWV 20SM-WD</b>	<b>WAL607092</b>	<b>P-RSWV 20SM</b>	<b>WAL607044</b>	WAL605778	WAL607400	26 x 1,5 WAL605952	WAL606492	WAL605833
<b>P-RSWV 25SM-WD</b>	<b>WAL607093</b>	<b>P-RSWV 25SM</b>	<b>WAL607045</b>	WAL605780	WAL607402	31 x 2 WAL250258	WAL606495	WAL605834
<b>P-RSWV 30SM-WD</b>	<b>WAL607094</b>	<b>P-RSWV 30SM</b>	<b>WAL607046</b>	WAL605782	WAL607404	40 x 2 WAL261157	WAL606496	WAL605835
<b>P-RSWV 38SM-WD</b>	<b>WAL607095</b>	<b>P-RSWV 38SM</b>	<b>WAL607047</b>	WAL605784	WAL607406	46 x 2 WAL605953	WAL606498	WAL605836

\* FPM (e. g. Viton) on request

