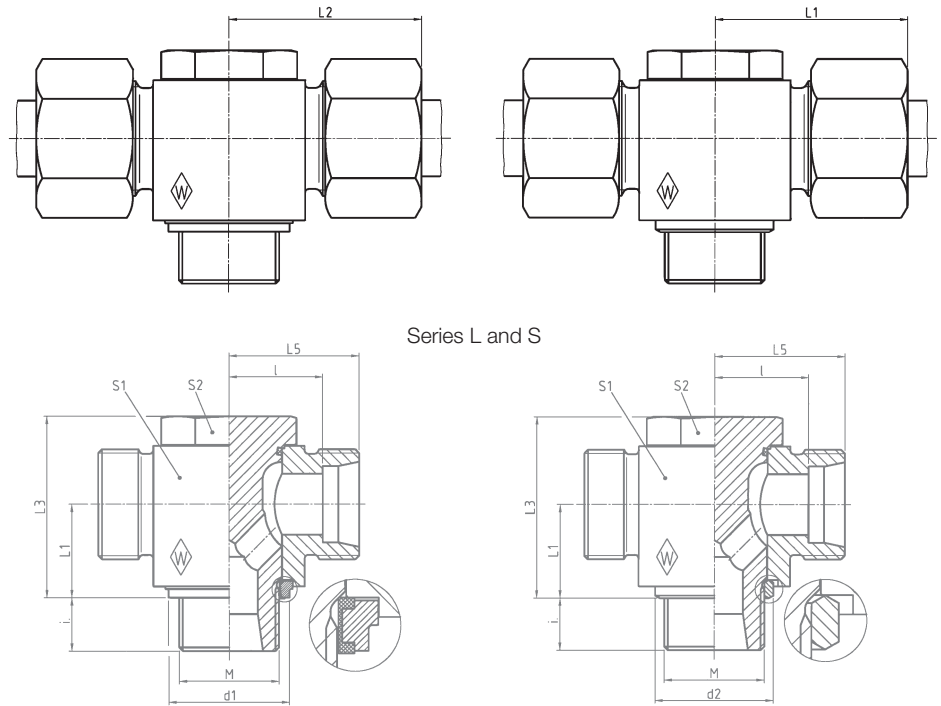


P-RSTV M

Stud thread: metric (parallel)

with elastomer seal

with metallic seal

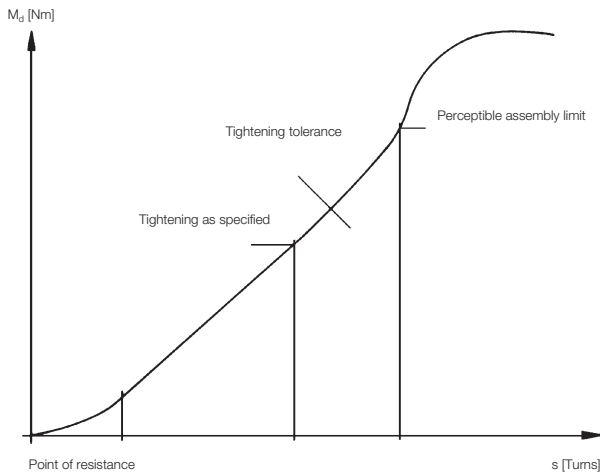


Series bar Tube OD kg per 100 pcs.

			M	L ₁	L ₂	L ₃	L ₅	l	i	d ₁ max.	d ₂	S ₁	S ₂		
L	500 (7252)	6	M 10 x 1	6,5	10	27,5	21	20	13	8	14,9	13	14	14	
		8	M 12 x 1,5	9,6	13,5	28,5	27	21	14	10	17,9	17,8	19	19	
		10	M 14 x 1,5	11,1	13,5	29,5	27	22	15	10	19,9	17,8	19	19	
	400 (5801)	12	M 16 x 1,5	16,7	16	32	32,5	24,5	17,5	10	21,9	21	24	22	
		12	M 18 x 1,5	17,3	18,5	34,5	36	27	20	10	23,9	23	24	22	
		15	M 18 x 1,5	21,3	18,5	35	37	27	20	10	23,9	23	27	24	
		18	M 22 x 1,5	33,6	21,5	36,5	43	28	20,5	12	27,9	27	30	27	
		22	M 26 x 1,5	50,2	24	43	48	34,5	27	16	31,9	31	36	32	
		250 (3626)	28	M 33 x 2	89,9	30,5	48	59	39	31,5	18	39,9	39	46	41
			35	M 42 x 2	156,0	35,5	57	70	46	35,5	20	49,9	49	55	50
S	500 (7252)	6	M 12 x 1,5	9,8	13,5	30,5	27	23	16	10	17,9	17,8	19	19	
		8	M 14 x 1,5	11,7	13,5	30,5	27	23	16	10	19,9	17,8	19	19	
		10	M 16 x 1,5	18,7	16	34	32,5	25,5	18	10	21,9	21	24	22	
	400 (5801)	12	M 18 x 1,5	22,7	18,5	35,5	37	27	19,5	10	23,9	23	27	24	
		14	M 20 x 1,5	29,8	19,5	39,5	41	30	22	12		25	30	27	
		16	M 22 x 1,5	34,7	21,5	39,5	43	30	21,5	12	27,9	27	30	27	
	315 (4569)	20	M 27 x 2	54,3	24	47,5	48	36,5	26	16	32,9	32	36	32	
	250 (3626)	25	M 33 x 2	108,0	30,5	55	59	43	31	18	39,9	39	46	41	
		30	M 42 x 2	175,5	35,5	63	70	50	36,5	20	49,9	49	55	50	
		38	M 48 x 2	264,5	40,5	71,5	80	57	41	22	55,9	55	65	55	

L₂ = approximate length with nut tightened

Very safe assembly



- easy assembly
- re-tightening under pressure is possible
- radial dismantling possible
- only three components
- one-piece bolt
- secure interconnection of elastomer seal and retaining ring
- high safety against excessive tightening

With special application conditions (e. g. higher temperatures or aggressive fluids) remove O-ring for the version with metallic sealing edge!

RSTS with elastomer seal		RSTS with metallic seal		Individual components					
Type	Reference	Type	Reference	Body	Bolt with O-ring (NBR)*	O-ring (NBR)*		Retaining ring with captive seal (NBR)*	edge ring
				Reference	Reference	Dimension	Reference	Reference	Reference
P-RSTV 6LM-WD	WAL608490	P-RSTV 6LM	WAL607620	WAL607341	WAL606515	8,5 x 1,5	WAL304288	WAL606481	WAL605824
P-RSTV 8LM-WD	WAL609972	P-RSTV 8LM	WAL608277	WAL607344	WAL606517	11 x 2	WAL023492	WAL606483	WAL606739
P-RSTV 10LM-WD	WAL608318	P-RSTV 10LM	WAL608278	WAL607346	WAL606518	11 x 2	WAL023492	WAL606484	WAL605825
P-RSTV 12LM-WD	WAL609948	P-RSTV 12LM	WAL607430	WAL607349	WAL606520	14,5 x 2	WAL605949	WAL606485	WAL605826
P-RSTV 15LM-WD	WAL612019	P-RSTV 15LM	WAL607938	WAL607352	WAL606524	14,5 x 2	WAL605949	WAL606486	WAL605830
P-RSTV 18LM-WD	WAL613149	P-RSTV 18LM	WAL606831	WAL607356	WAL606526	19,5 x 2	WAL605951	WAL606490	WAL605832
P-RSTV 22LM-WD		P-RSTV 22LM	WAL610416	WAL607358	WAL607399	26 x 1,5	WAL605952	WAL606491	WAL606455
P-RSTV 28LM-WD		P-RSTV 28LM		WAL607360	WAL607402	31 x 2	WAL250258	WAL606495	WAL605834
P-RSTV 35LM-WD		P-RSTV 35LM		WAL607362	WAL607404	40 x 2	WAL261157	WAL606496	WAL605835
P-RSTV 42LM-WD		P-RSTV 42LM	WAL608236	WAL607364	WAL607406	46 x 2	WAL605953	WAL606498	WAL605836
P-RSTV 6SM-WD		P-RSTV 6SM	WAL608225	WAL607343	WAL606517	11 x 2	WAL023492	WAL606483	WAL606739
P-RSTV 8SM-WD		P-RSTV 8SM	WAL601091	WAL607345	WAL606518	11 x 2	WAL023492	WAL606484	WAL605825
P-RSTV 10SM-WD		P-RSTV 10SM		WAL607347	WAL606520	14,5 x 2	WAL605949	WAL606485	WAL605826
P-RSTV 12SM-WD	WAL607449	P-RSTV 12SM	WAL607907	WAL607351	WAL606524	14,5 x 2	WAL605949	WAL606486	WAL605830
P-RSTV 16SM-WD		P-RSTV 16SM		WAL607355	WAL606526	19,5 x 2	WAL605951	WAL606490	WAL605832
P-RSTV 20SM-WD		P-RSTV 20SM	WAL607952	WAL607357	WAL607400	26 x 1,5	WAL605952	WAL606492	WAL605833
P-RSTV 25SM-WD		P-RSTV 25SM		WAL607359	WAL607402	31 x 2	WAL250258	WAL606495	WAL605834
P-RSTV 30SM-WD		P-RSTV 30SM		WAL607361	WAL607404	40 x 2	WAL261157	WAL606496	WAL605835
P-RSTV 38SM-WD		P-RSTV 38SM		WAL607363	WAL607406	46 x 2	WAL605953	WAL606498	WAL605836

* FPM (e. g. Viton) on request