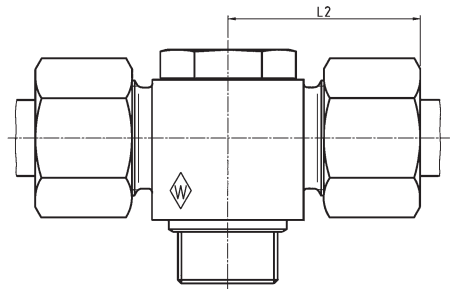
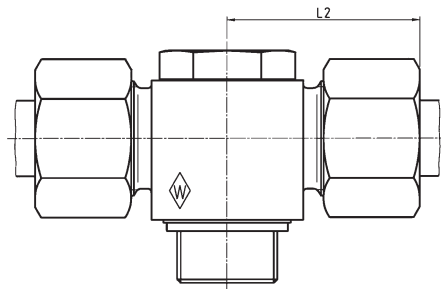


P-RSTV R

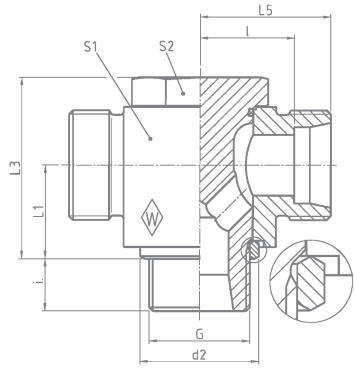
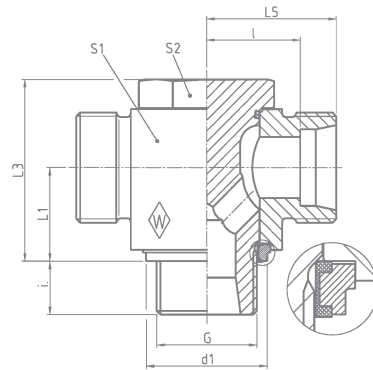
Stud thread: BSP thread (parallel)

with elastomer seal

with metallic seal



Series L and S



DIN-ISO 228 (R...DIN 259)

Series bar Tube OD

kg per 100 pcs.

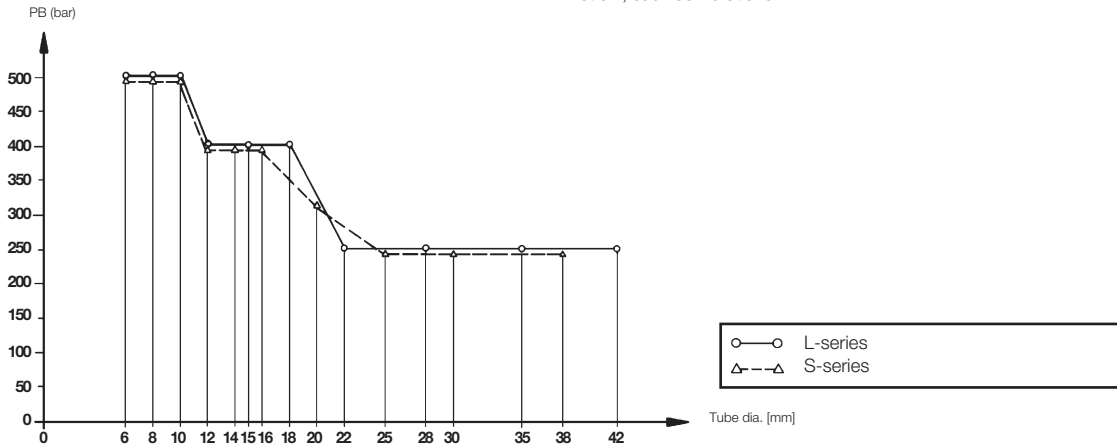
	Series	bar	Tube OD	G	L ₁	L ₂	L ₃	L ₅	l	i	d ₁ max.	d ₂	S ₁	S ₂	
L	500 (7252)	6	6	G 1/8 A	6,5	10	27,5	21	20	13	8	14,9	13	14	14
		8	8	G 1/4 A	10,0	13,5	28,5	27	21	14	10	18,9	17,8	19	19
		10	10	G 1/4 A	11,0	13,5	29,5	27	22	15	10	18,9	17,8	19	19
	400 (5801)	12	12	G 3/8 A	16,8	16	32	32,5	24,5	17,5	10	21,9	22	24	22
		15	15	G 1/2 A	28,8	19,5	36	43	28	21	14	26,9	26	30	27
		18	18	G 1/2 A	33,7	21,5	36,5	43	28	20,5	12	26,9	26	30	27
	250 (3626)	22	22	G 3/4 A	50,0	24	43	48	34,5	27	16	32,9	32	36	32
		28	28	G 1 A	89,5	30,5	48	59	39	31,5	18	39,9	39	46	41
		35	35	G 1 1/4 A	155,8	35,5	57	70	46	35,5	20	49,9	49	55	50
		42	42	G 1 1/2 A	248,3	40,5	62,5	80	51	40	22	55,9	55	65	55
S	500 (7252)	6	6	G 1/4 A	10,0	13,5	30,5	27	23	16	10	18,9	17,8	19	19
		8	8	G 1/4 A	11,6	13,5	30,5	27	23	16	10	18,9	17,8	19	19
		10	10	G 3/8 A	18,7	16	34	32,5	25,5	18	10	21,9	22	24	22
	400 (5801)	12	12	G 3/8 A	19,3	16	34	32,5	25,5	18	10	21,9	22	24	22
		14	14	G 1/2 A	32,1	19,5	39,5	41	30	22	12	26,9	26	30	27
		16	16	G 1/2 A	34,0	21,5	39,5	43	30	21,5	12	26,9	26	30	27
	315 (4569)	20	20	G 3/4 A	56,0	24	47,5	48	36,5	26	16	32,9	32	36	32
	250 (3626)	25	25	G 1 A	107,6	30,5	55	59	43	31	18	39,9	39	46	41
30		30	G 1 1/4 A	175,3	35,5	63	70	50	36,5	20	49,9	49	55	50	
38		38	G 1 1/2 A	274,5	40,5	71,5	80	57	41	22	55,9	55	65	55	

L₂ = approximate length with nut tightened

Operating pressure

The operating pressures (PB) as shown are based on a safety factor of at least 2.5 and represent the maximum operating pressure permitted with primarily uniform load conditions at temperatures up to + 120°C (for steel).

Allowances must be made for working conditions involving heavy impact pressure and mechanical strain, such as vibrations.



With special application conditions (e. g. higher temperatures or aggressive fluids) remove O-ring for the version with metallic sealing edge!

RSTS with elastomer seal		RSTS with metallic seal		Individual components					
Type	Reference	Type	Reference	Body	Bolt with O-ring (NBR)*	O-ring (NBR)*		Retaining ring with captive seal (NBR)*	edge ring
				Reference	Reference	Dimension	Reference		
P-RSTV 6LR-WD	WAL612523	P-RSTV 6LR	WAL606717	WAL607341	WAL606516	8,5 x 1,5	WAL304288	WAL606481	WAL605824
P-RSTV 8LR-WD		P-RSTV 8LR	WAL606773	WAL607344	WAL606519	11 x 2	WAL023492	WAL606482	WAL606740
P-RSTV 10LR-WD	WAL601151	P-RSTV 10LR	WAL601090	WAL607346	606519	11 x 2	WAL023492	WAL606482	WAL606740
P-RSTV 12LR-WD	WAL611623	P-RSTV 12LR	WAL607978	WAL607349	WAL606523	14,5 x 2	WAL605949	WAL606485	WAL605827
P-RSTV 15LR-WD	WAL611985	P-RSTV 15LR	WAL610395	WAL607354	WAL606527	19,5 x 2	WAL605951	WAL606488	WAL605831
P-RSTV 18LR-WD		P-RSTV 18LR	WAL606360	WAL607356	WAL606527	19,5 x 2	WAL605951	WAL606489	WAL606454
P-RSTV 22LR-WD		P-RSTV 22LR	WAL607436	WAL607358	WAL607401	26 x 1,5	WAL605952	WAL606492	WAL605833
P-RSTV 28LR-WD	WAL608605	P-RSTV 28LR	WAL607317	WAL607360	WAL607403	31 x 2	WAL250258	WAL606495	WAL605834
P-RSTV 35LR-WD	WAL611641	P-RSTV 35LR	WAL611642	WAL607362	WAL607405	40 x 2	WAL261157	WAL606496	WAL605835
P-RSTV 42LR-WD		P-RSTV 42LR	WAL608595	WAL607364	WAL607407	46 x 2	WAL605953	WAL606498	WAL605836
P-RSTV 6SR-WD	WAL608693	P-RSTV 6SR	WAL608601	WAL607343	WAL606519	11 x 2	WAL023492	WAL606482	WAL606740
P-RSTV 8SR-WD	WAL601148	P-RSTV 8SR	WAL607784	WAL607345	WAL606519	11 x 2	WAL023492	WAL606482	WAL606740
P-RSTV 10SR-WD	WAL608682	P-RSTV 10SR	WAL608223	WAL607347	WAL606523	14,5 x 2	WAL605949	WAL606485	WAL605827
P-RSTV 12SR-WD	WAL608683	P-RSTV 12SR	WAL607759	WAL607350	WAL606523	14,5 x 2	WAL605949	WAL606485	WAL605827
P-RSTV 16SR-WD	WAL611986	P-RSTV 16SR	WAL607760	WAL607355	WAL606527	19,5 x 2	WAL605951	WAL606489	WAL606454
P-RSTV 20SR-WD	WAL608433	P-RSTV 20SR	WAL607754	WAL607357	WAL607401	26 x 1,5	WAL605952	WAL606492	WAL605833
P-RSTV 25SR-WD	WAL608979	P-RSTV 25SR	WAL607905	WAL607359	WAL607403	31 x 2	WAL250258	WAL606495	WAL605834
P-RSTV 30SR-WD	WAL610045	P-RSTV 30SR		WAL607361	WAL607405	40 x 2	WAL261157	WAL606496	WAL605835
P-RSTV 38SR-WD	WAL607954	P-RSTV 38SR	WAL607763	WAL607363	WAL607407	46 x 2	WAL605953	WAL606498	WAL605836

* FPM (e. g. Viton) on request