



FL SERIES

Visual oil level indicators

The FL is a vertical level indicators series available with or without a thermometer for level and temperature indication of the fluid.

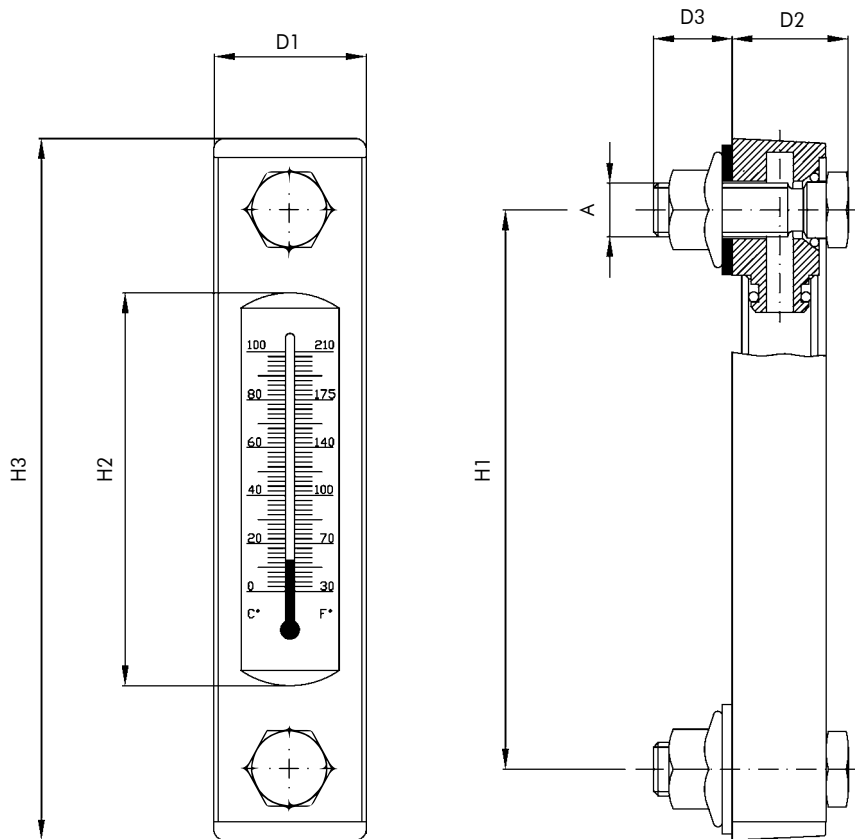
Several sizes and configurations are available to meet every tank requirement.



PRESSURE:	Max operating: up to 1 bar
FIXING SCREWS:	Metric – tightening torque 10 Nm
TEMPERATURE RANGE:	- 30° C + 90° C
THERMOMETER:	double scale 0 + 80° C (size 1-2-3) double scale 0 + 120° C (size 4-5-6)
MATERIALS:	End caps: polyamide Protection: aluminium Screws: zinc plated Seals: NBR 70 ShA Body: transparent polycarbonate
FLUID COMPATIBILITY:	Full with HH-HL-HM-HV-HETG-HEES (acc. to ISO 6743/4). For use with other fluid please contact Filtrtec Customer Service (info@filtrtec.it).

OVERALL DIMENSIONS

SIZE 1-2-3

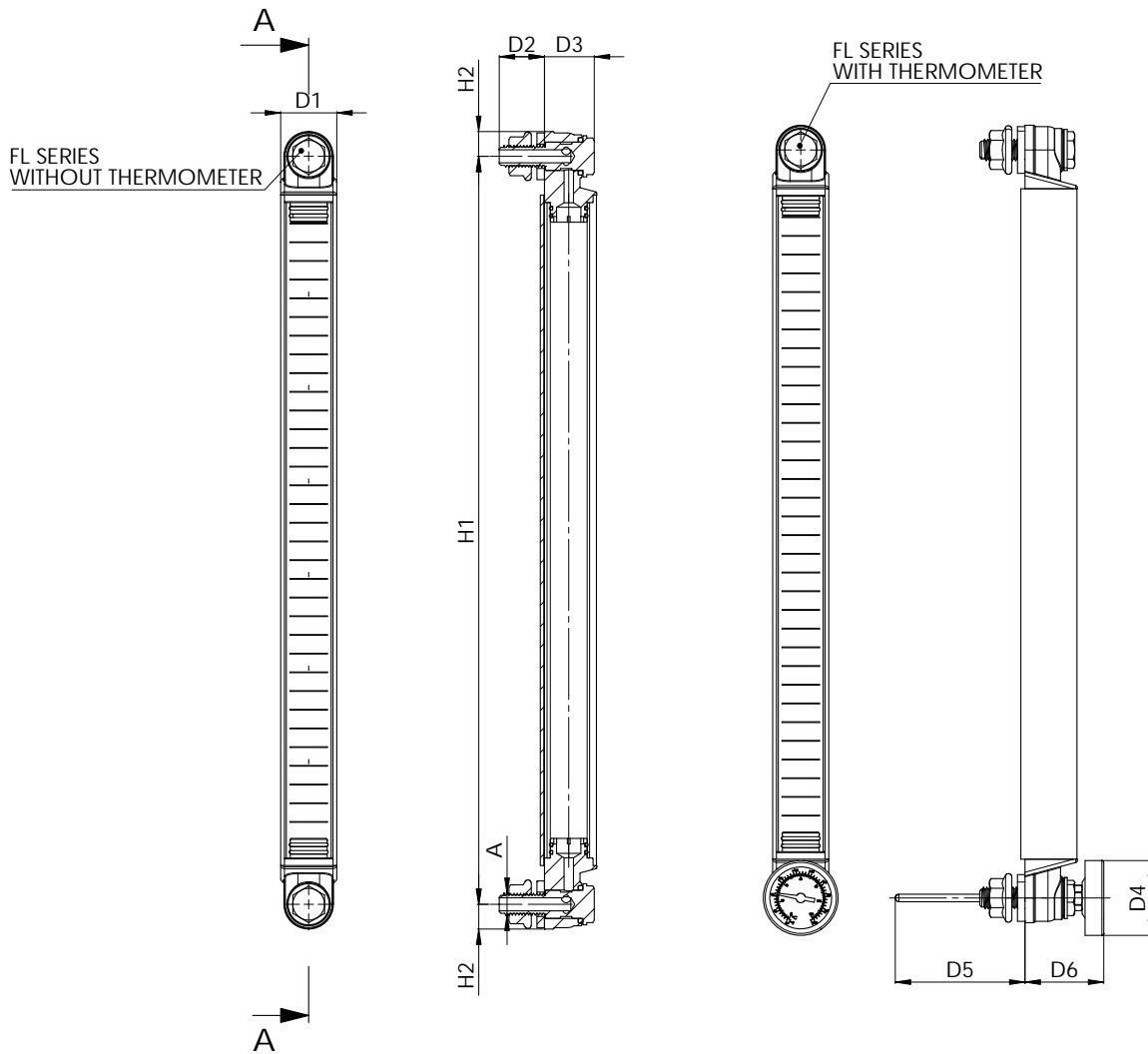


NOMINAL SIZE

CODE	H1	H2	H3	D1	D2	D3	A	WEIGHT
FL1	76	40	106	36	30	16	M10 M12	150 gr.
FL2	127	86	157					200 gr.
FL3	254	213	284					250 gr.

OVERALL DIMENSIONS

SIZE 4-5-6



NOMINAL SIZE

CODE	H1	H2	D1	D2	D3	D4	D5	D6	A	WEIGHT
FL4	300	13,25	30	24,2	26,6	40	68	42,5	M12	330 gr.
FL5	400									400 gr.
FL6	500									470 gr.

ORDERING INFORMATION

1.	2.	3.	4.
FL	2	T	M12

1. SERIES	FL	
2. SIZE	1	holes distance 76 mm
*custom lenght available on request with MOQ	2	holes distance 127 mm
	3	holes distance 254 mm
	4	holes distance 300 mm
	5	holes distance 400 mm
	6	holes distance 500 mm
3. THERMOMETER	0	no thermometer
	T	with thermometer
4. FIXING SCREWS	M10	fixing screws M10
	M12	fixing screws M12

size 4-5-6 available with M12 only

