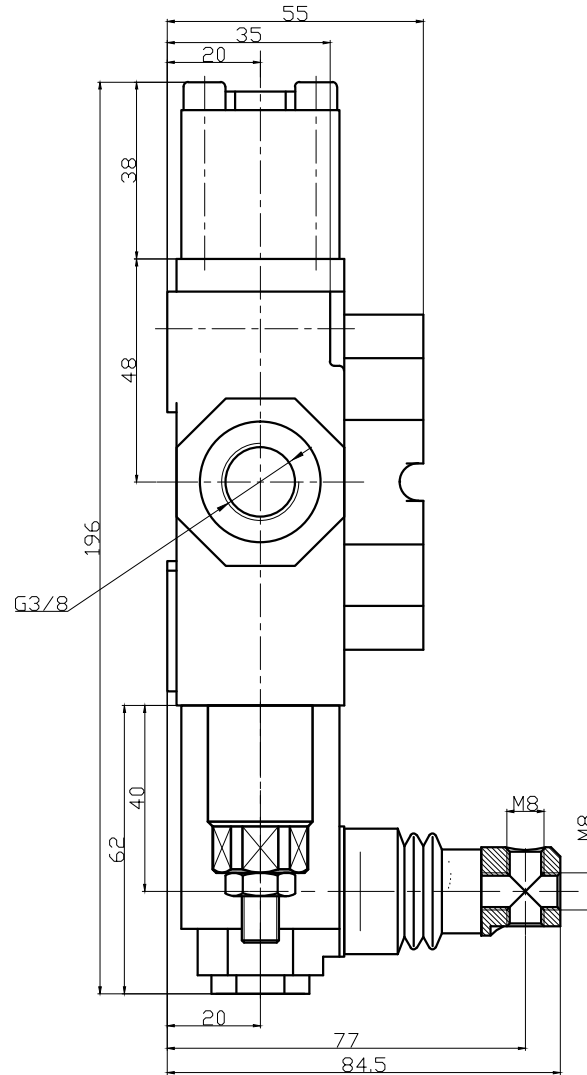
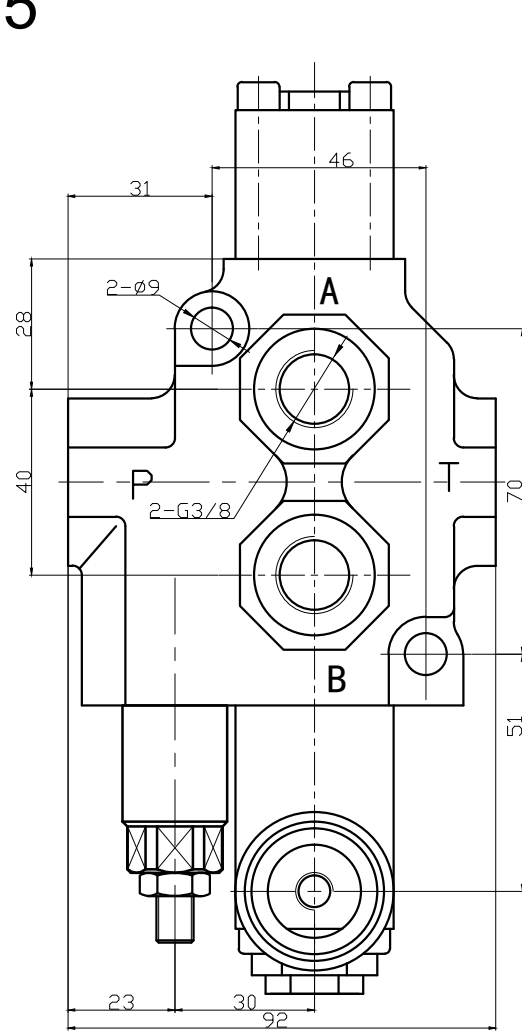
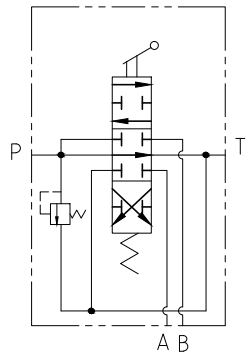


FF011699/5



Specification:

1. Flow rate:45LPM
2. Setting Preussure:300bar
- 3.PAB-G3/8,T-G $\frac{1}{2}$
4. Black painting
5. Handle lever:M8X156MM
6. Lable with flowfit design
7. Spool function:cylinder spool
8. Spool control: Spring return
9. Orange plastic cover



FLOWFIT®