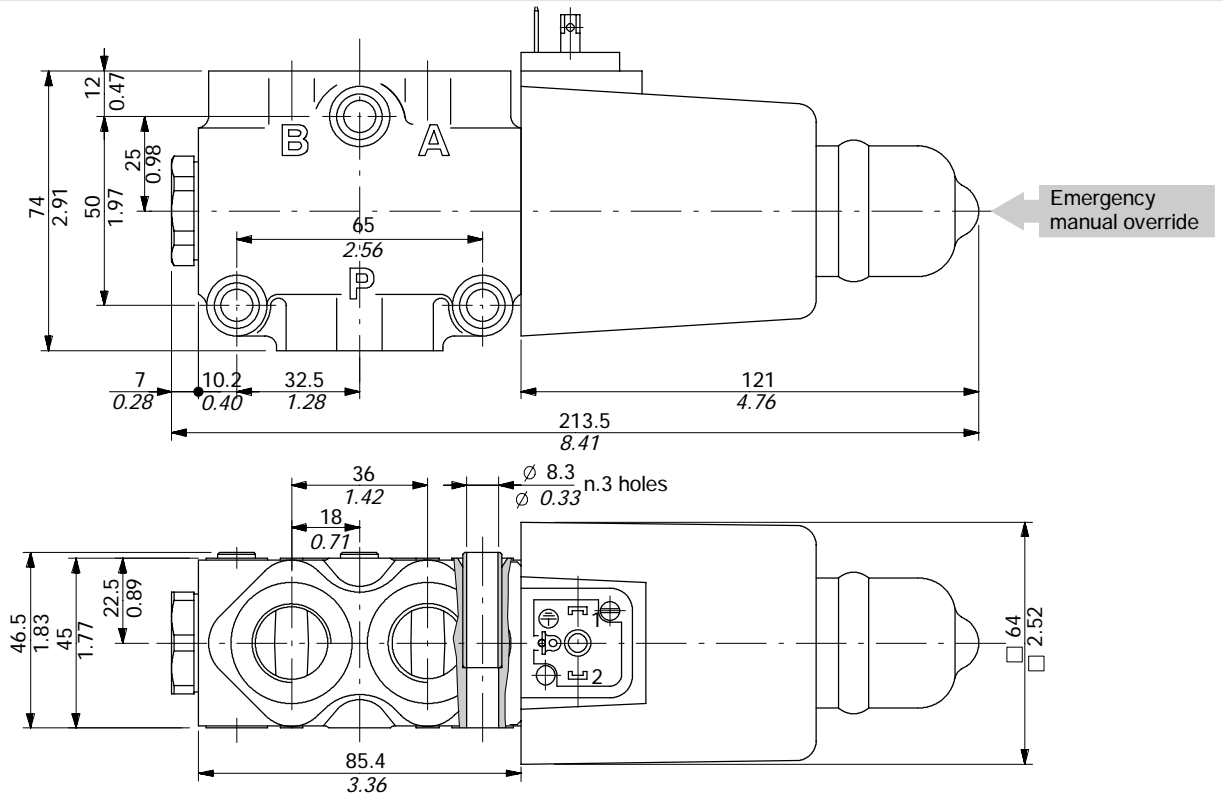
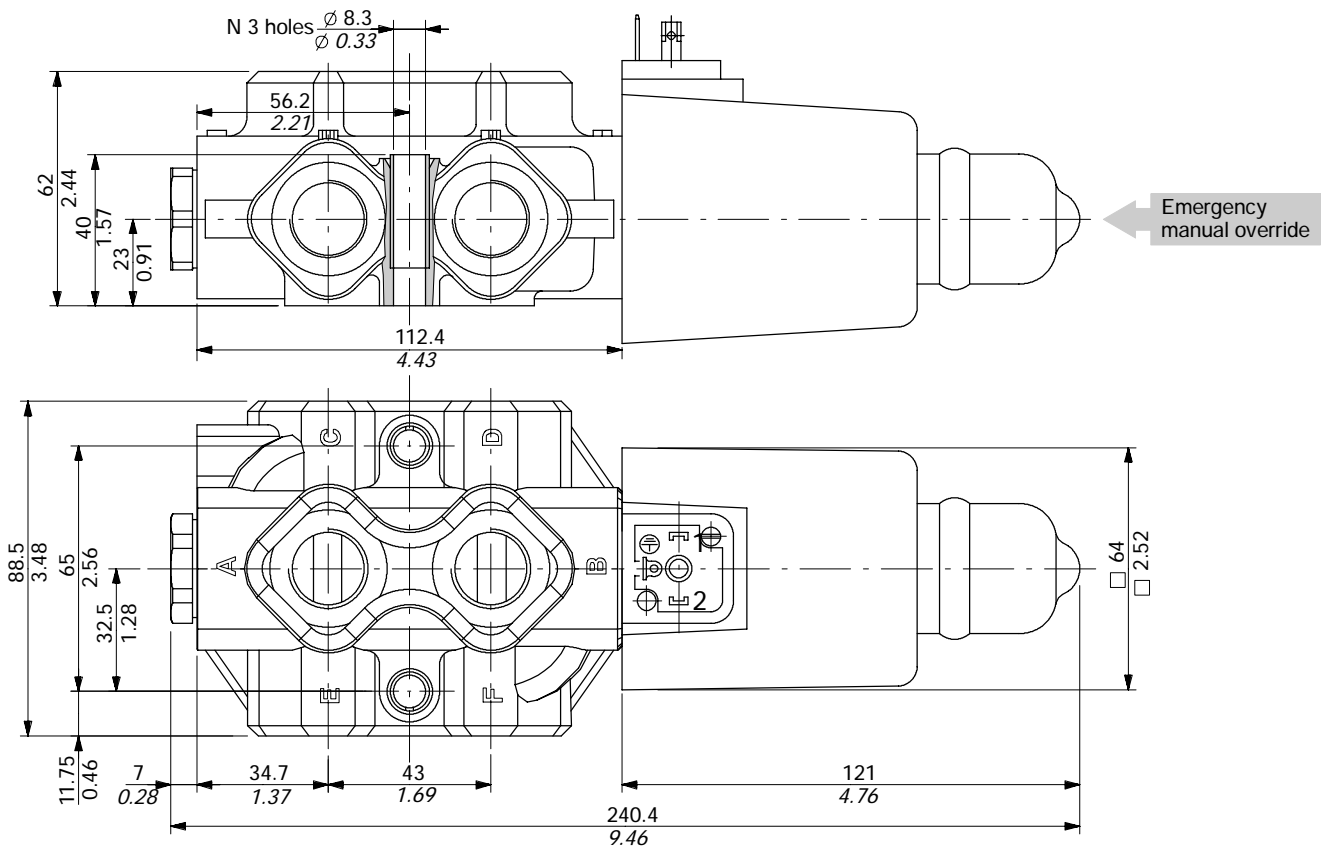


3-way DFE10/3 valve



6-way DFE10/6 valve



Ordering codes

Description example :

Diverter valve DFE10/3 A 18 ES - W 202-12VDC - <CVN>

1.  
 2.  
 3.  
 4.  
 3.  
 5.

Valve is supplied painted as standard, with one coat of Primer black antirust paint

