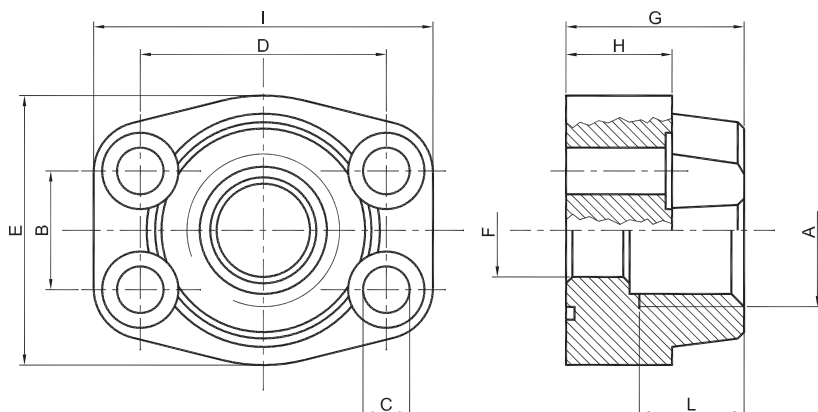


FLANGIA SAE FILETTATA GAS

SAE FLANGE BSP THREAD

Material: **Acciaio** ST 52.3

Material: **Steel** ST 52.3



SERIE - SERIES 3000

TIPO	PRESS. MAX ES. [Bar]	S.A.E.	DIMENSIONI - DIMENSIONS										VITI-SCREWS		O-RING
			A	B	C	D	E	F	G	H	I	L	METRICHE	U.N.C.	
TRF 3012 G38	348	1/2"	3/8" gas	17,48	8,5	38,10	46	13	36	16	55	20	M8 x 30	5/16" x 1" 1/4	4075
TRF 3012 G12			1/2" gas	17,48	8,5	38,10	46	13	36	16	55	20			
TRF 3034 G12		3/4"	1/2" gas	22,23	10,5	47,63	51	18	36	18	66	21	M10 x 35	3/8" x 1" 1/2	4100
TRF 3034 G34			3/4" gas	22,23	10,5	47,63	51	19	36	18	66	21			
TRF 3100 G34		1"	3/4" gas	26,19	10,5	52,37	56	19	38	21	71	23	M10 x 35	3/8" x 1" 1/2	4131
TRF 3100 G100			1" gas	26,19	10,5	52,37	56	25	38	21	71	23			
TRF 3114 G100	279	1" 1/4	1" gas	30,18	11,5	58,72	68	25	41	25	81	23	M10 x 35	7/16" x 1" 3/4	4150
TRF 3114 G114			1" 1/4 gas	30,18	11,5	58,72	68	32	41	25	81	23			
TRF 3112 G114	210	1" 1/2	1" 1/4 gas	35,71	13,5	69,85	78	32	45	27	95	25	M12 x 45	1/2" x 1" 3/4	4187
TRF 3112 G112			1" 1/2 gas	35,71	13,5	69,85	78	38	45	27	95	25			
TRF 3200 G112		2"	1" 1/2 gas	42,88	13,5	77,77	91	38	45	25	102	25	M12 x 45	1/2" x 1" 3/4	4225
TRF 3200 G200			2" gas	42,88	13,5	77,77	91	51	45	25	102	25			
TRF 3212 G200	175	2" 1/2	2" gas	50,80	13,5	88,90	103	51	50	25	114	30	M12 x 45	1/2" x 1" 3/4	4275
TRF 3212 G212			2" 1/2 gas	50,80	13,5	88,90	103	63	50	25	114	30			
TRF 3300 G212	138	3"	2" 1/2 gas	61,93	17	106,40	124	63	50	27	135	30	M16 x 55	5/8" x 2"	4337
TRF 3300 G300			3" gas	61,93	17	106,40	124	73	50	27	135	30			

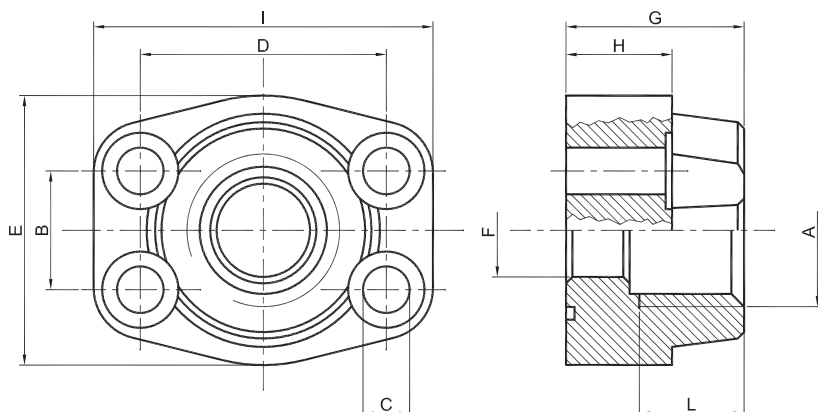
<p>ESEMPIO DI ORDINAZIONE ORDERING EXAMPLE</p>	TRF 3012 G12	SOLO FLANGIA / ONLY FLANGE
	TRF 3012 G12 M	FLANGIA COMPLETA CON VITI METRICHE, RONDELLE E O-RING FLANGE COMPLETE WITH METRIC SCREWS, WASHERS AND O-RING
	TRF 3012 G12 U	FLANGIA COMPLETA CON VITI UNC, RONDELLE E O-RING FLANGE COMPLETE WITH UNC SCREWS, WASHERS AND O-RING

FLANGIA SAE FILETTATA GAS

SAE FLANGE BSP THREAD

Material: **Acciaio** ST 52.3

Material: **Steel** ST 52.3



SERIE - SERIES 6000

TIPO	PRESS. MAX ES. [Bar]	S.A.E.	DIMENSIONI - DIMENSIONS										VITI-SCREWS		O-RING
			A	B	C	D	E	F	G	H	I	L	METRICHE	U.N.C.	
TRF 6012 G38	420	1/2"	3/8" gas	18,24	8,5	40,49	46	13	36	16	55	20	M8 x 30	5/16" x 1" 1/4	4075
TRF 6012 G12			1/2" gas	18,24	8,5	40,49	46	13	36	16	55	20			
TRF 6034 G12		3/4"	1/2" gas	23,80	10,5	50,80	56	18	36	21	71	21	M10 x 35	3/8" x 1" 1/2	4100
TRF 6034 G34			3/4" gas	23,80	10,5	50,80	56	19	36	21	71	21			
TRF 6100 G34		1"	3/4" gas	27,76	13	57,15	68	19	42	25	81	23	M12 x 45	7/16" x 1" 3/4	4131
TRF 6100 G100			1" gas	27,76	13	57,15	68	25	42	25	81	23			
TRF 6114 G100		1" 1/4	1" gas	31,75	15	66,68	78	25	45	27	95	25	M14 x 45	1/2" x 1" 3/4	4150
TRF 6114 G114			1" 1/4 gas	31,75	15	66,68	78	32	45	27	95	25			
TRF 6112 G114		1" 1/2	1" 1/4 gas	36,50	17	79,38	94	32	51	29	112	29	M16 x 55	5/8" x 2"	4187
TRF 6112 G112			1" 1/2 gas	36,50	17	79,38	94	38	51	29	112	29			
TRF 6200 G112		2"	1" 1/2 gas	44,45	21	96,82	116	38	70	37	136	35	M20 x 65	3/4" x 2" 1/2	4225
TRF 6200 G200			2" gas	44,45	21	96,82	116	51	70	37	136	35			

<p>ESEMPIO DI ORDINAZIONE ORDERING EXAMPLE</p>	TRF 6012 G12	SOLO FLANGIA / ONLY FLANGE
	TRF 6012 G12 M	FLANGIA COMPLETA CON VITI METRICHE, RONDELLE E O-RING FLANGE COMPLETE WITH METRIC SCREWS, WASHERS AND O-RING
	TRF 6012 G12 U	FLANGIA COMPLETA CON VITI UNC, RONDELLE E O-RING FLANGE COMPLETE WITH UNC SCREWS, WASHERS AND O-RING