

FLOWFIT®

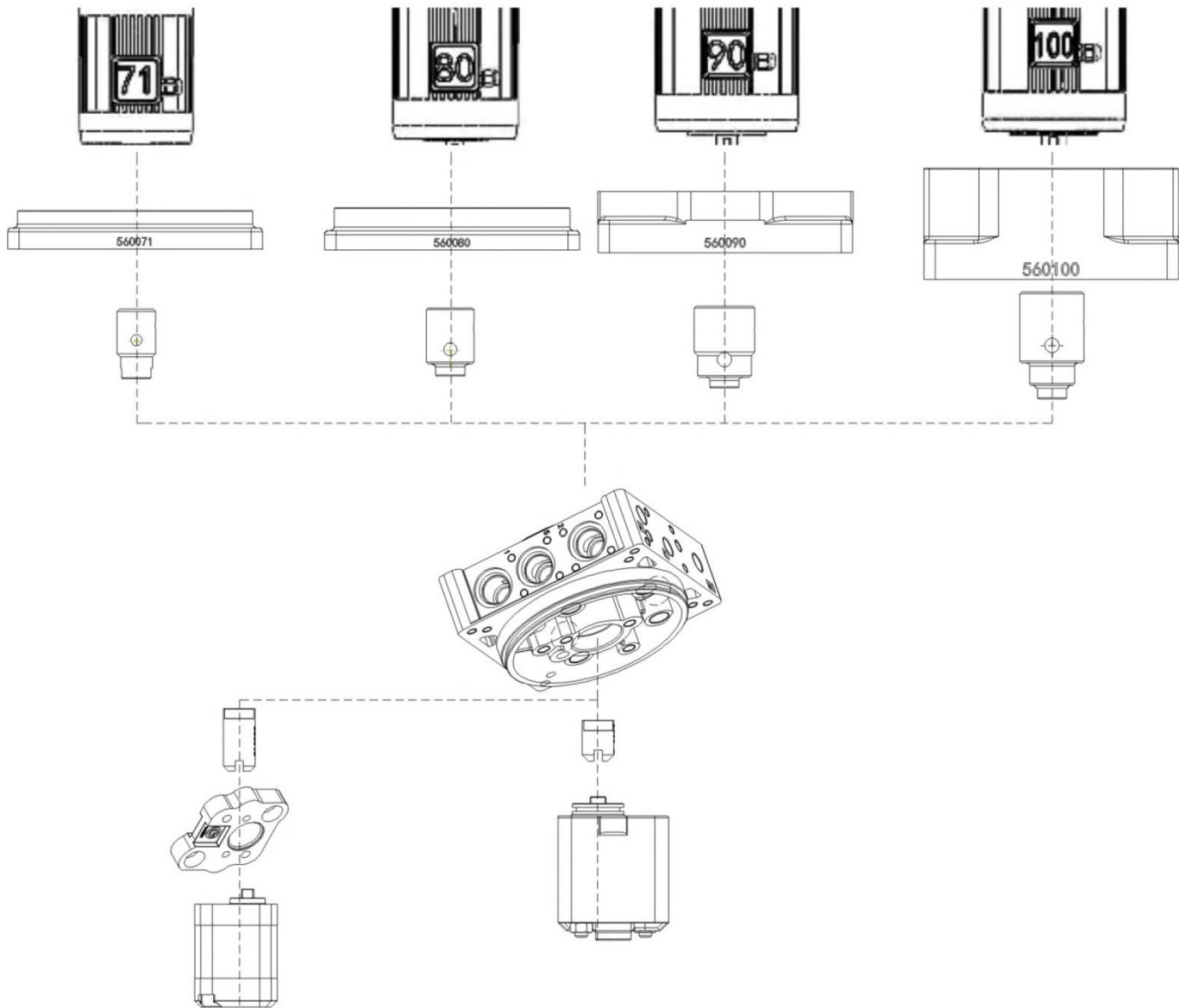
**MANUFACTURERS AND SUPPLIERS
OF HYDRAULIC COMPONENTS**

WWW.FLOWFITONLINE.COM



Hydraulic Power Units and Manifolds





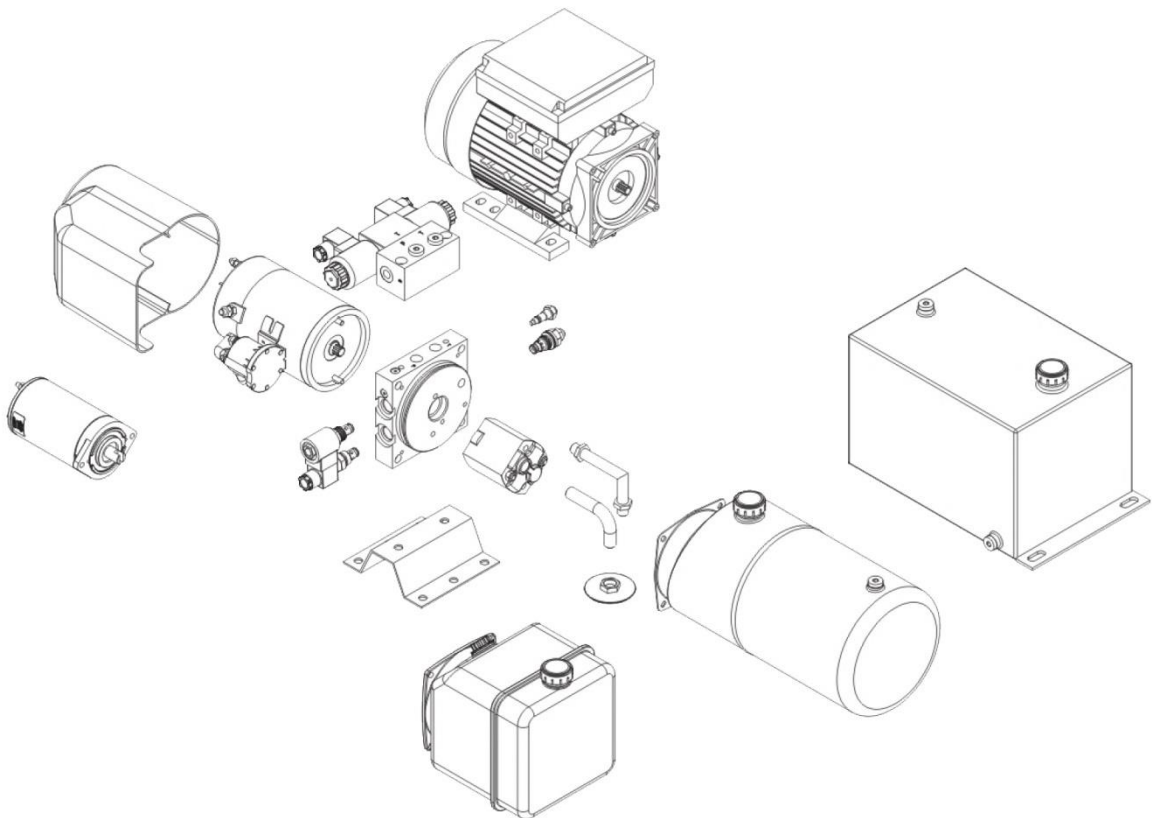
FLOWFIT

PARYS ROAD
 LUDLOW BUSINESS PARK
 LUDLOW
 SHROPSHIRE
 SY8 1XY

TEL: 01584 876 033
 FAX: 01584 876 044
 EMAIL: www.sales@flowfitonline.com
 WEB: www.flowfitonline.com

Contents

How to order Hydraulic Power Unit	
Central Manifold	A
Hydraulic Lift Valve	A
Custom Manifolds	A
Stacking Manifold Block	A
Cartridge Valve	B
Cartridge Hand Pump	B
Stacked Valve	B
Motor	C
Tank	D
Gear Pump	E
Accessories	F
Hydraulic Circuit	G
Hydraulic Power Unit	H



How to order Hydraulic Power Unit

PP

Hydraulic Circuit

Code	101	102	103	104	105	106	107	108	109	110	111	112	113	114	115	116	117	118
------	-----	-----	-----	-----	-----	-----	-----	-----	-----	-----	-----	-----	-----	-----	-----	-----	-----	-----

Motor Voltage

Code	D12	D24	A11	A22	A38
Voltage	DC12V	DC24V	AC110V	AC220V	AC380V

Motor Power

DC Motor		AC Motor	
Code	Power(KW)	Code	Power(KW)
01	0.5	01	0.75
02	0.8	02	1.1
03	1.6	03	1.5
04	2.0	04	2.2
05	2.5	05	3.0
06	3.0		

Solenoid Valve Voltage

Code	12	24	110	220
Voltage	DC12V	DC24V	AC110V	AC220V

Gear Pump: Group1.0 or Group0.5

Code	A	B	C	D	E	F	G	H	I	J	K	L	M
Displacement (cc/r)	0.75	1.1	1.3	1.6	2.1	2.6	3.2	3.7	4.2	4.8	5.8	7	8

Tank

Relief Valve Set

0~210bar

Mounting

Mounting	Horizontal	Vertical
Code	H	V

Oil Port

Code	A	B	C	D
Oil port	1/4 BSPP	3/8 BSPP	SAE6#	SAE8#

Remote Control Switch

YES	NO
-----	----

Special Requirement

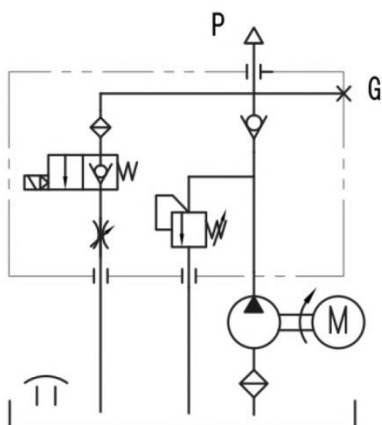
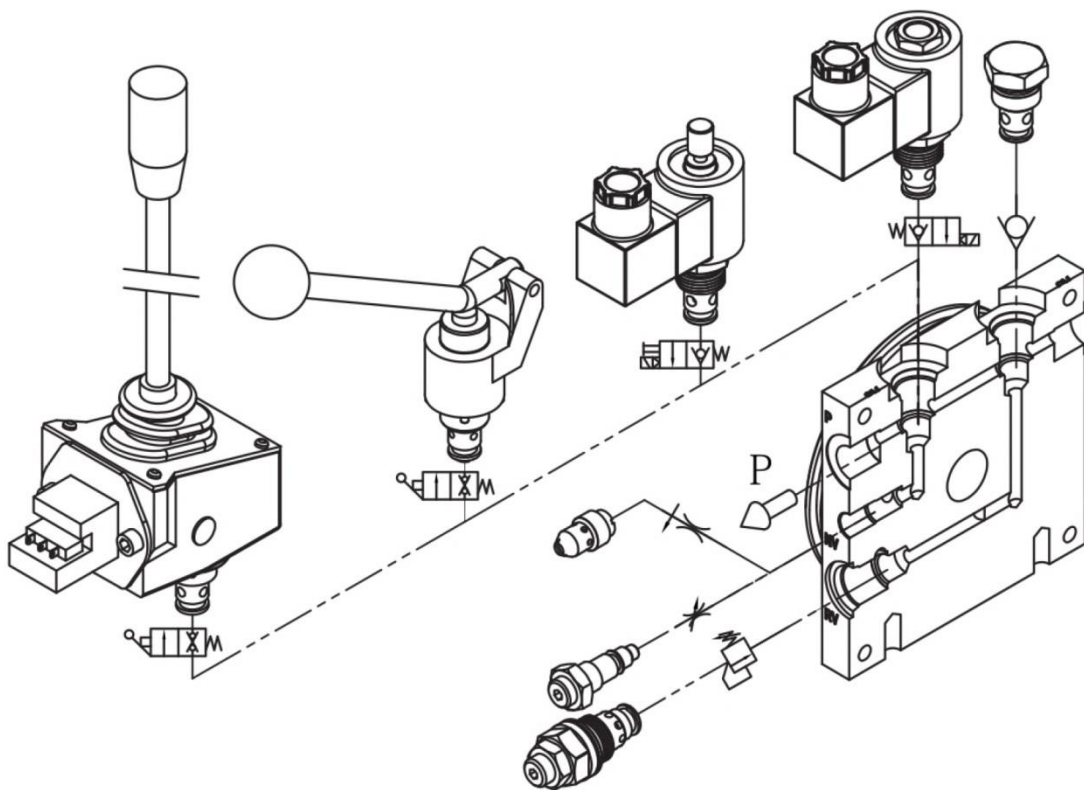
TEL: 01584 876 033

EMAIL: www.sales@flowfitonline.com

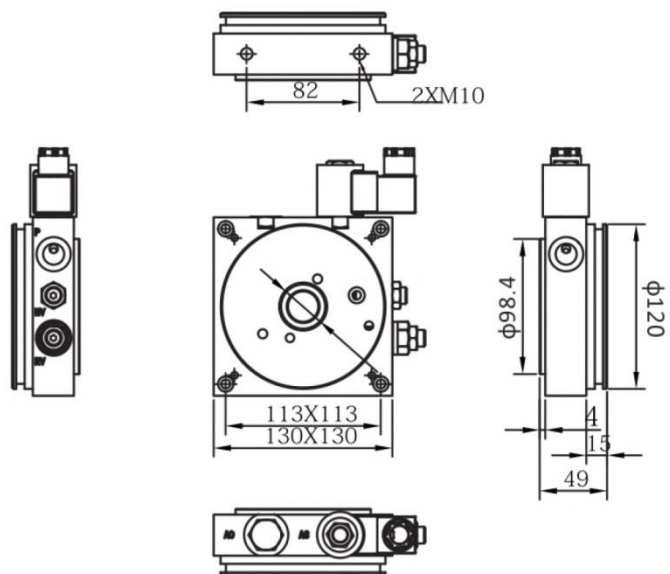
FAX: 01584 876 044

WEB: www.flowfitonline.com

Central Manifold:500101



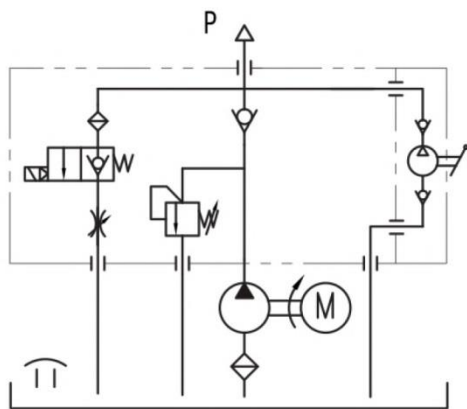
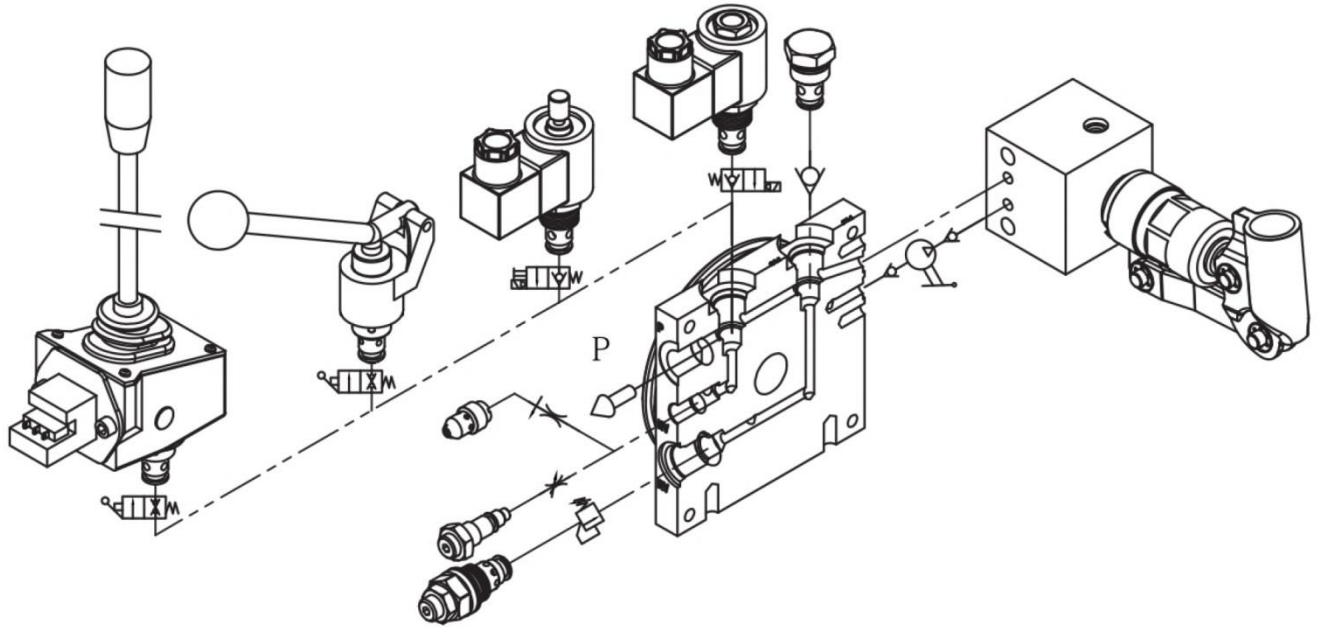
101



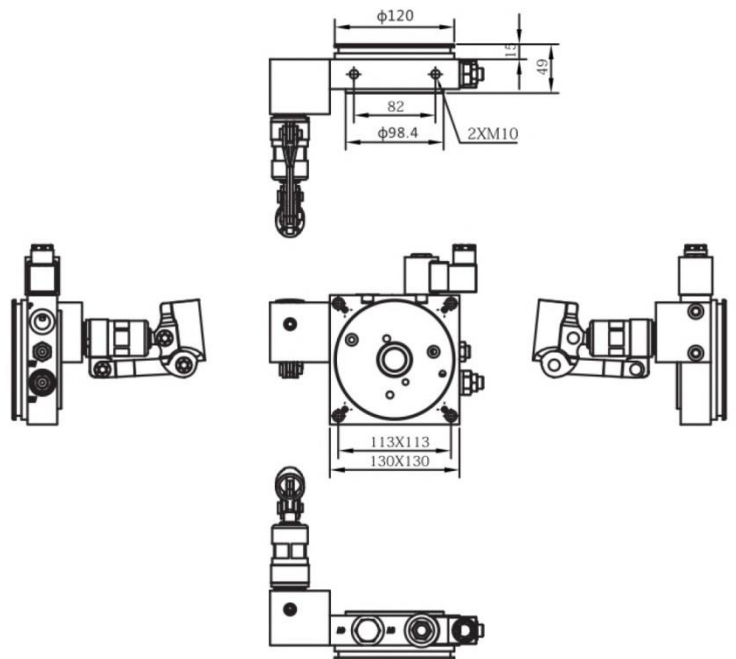
TEL: 01584 876 033
 EMAIL: www.sales@flowfitonline.com

FAX: 01584 876 044
 WEB: www.flowfitonline.com

Central Manifold:500103 Stacked Manifold:560783



103



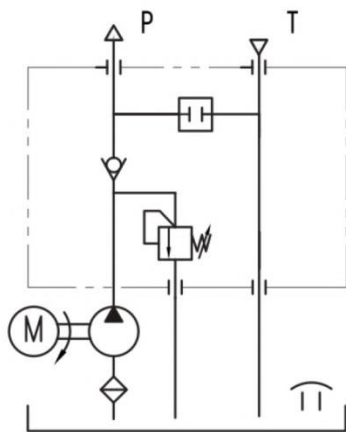
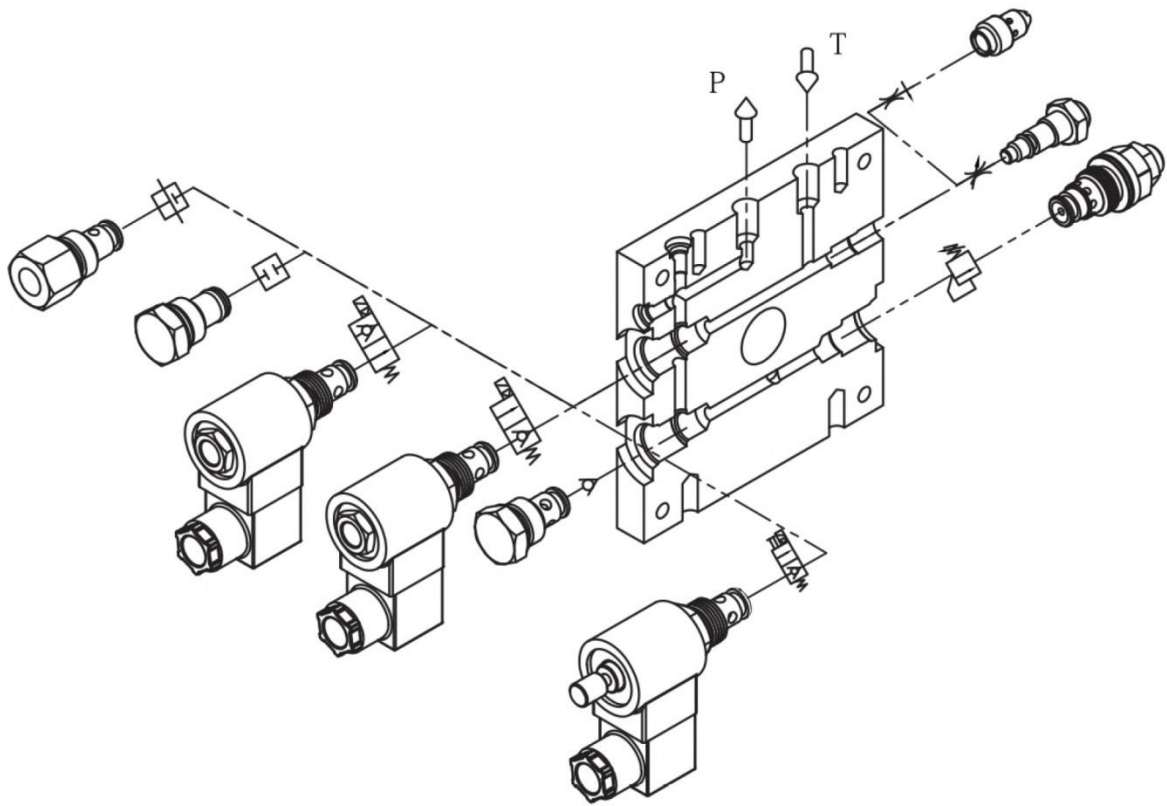
TEL: 01584 876 033

EMAIL: www.sales@flowfitonline.com

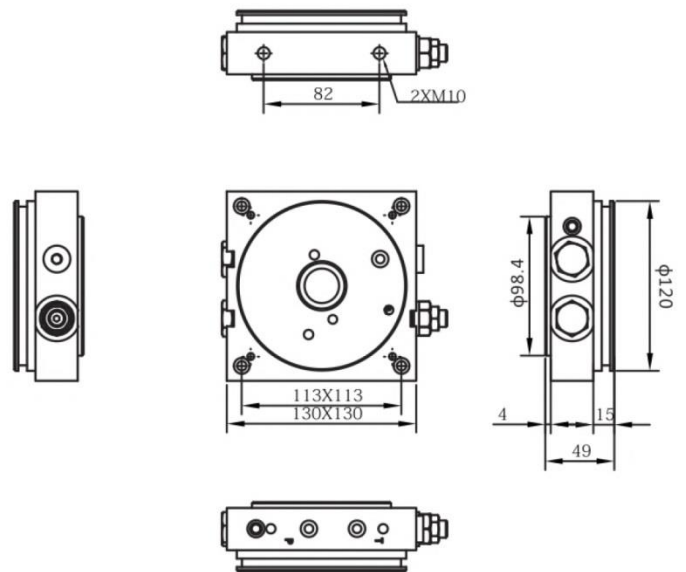
FAX: 01584 876 044

WEB: www.flowfitonline.com

Central Manifold:500208



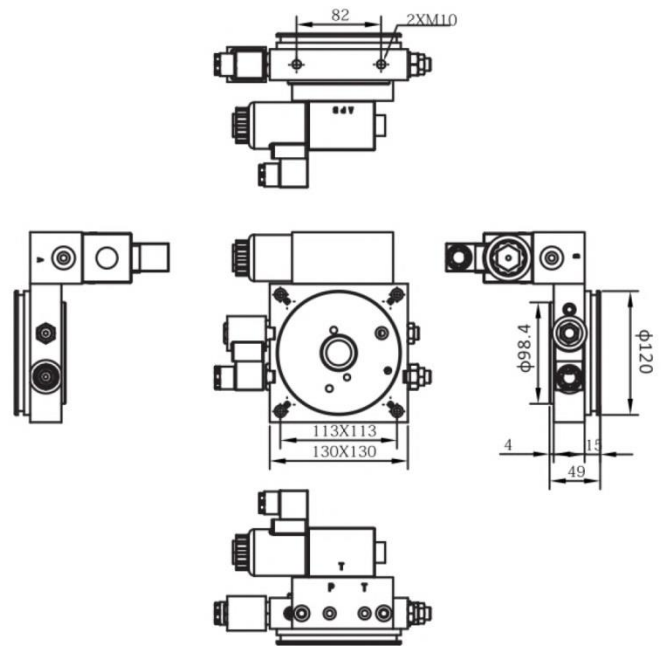
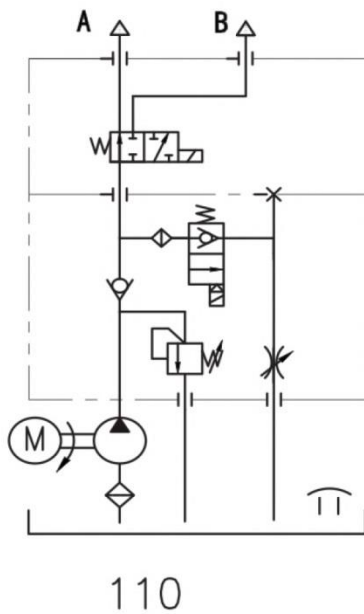
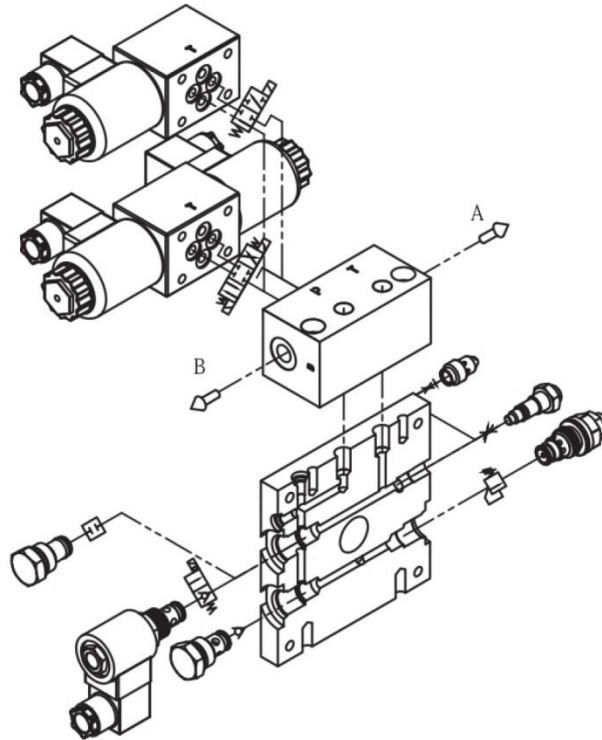
107



TEL: 01584 876 033
 EMAIL: www.sales@flowfitonline.com

FAX: 01584 876 044
 WEB: www.flowfitonline.com

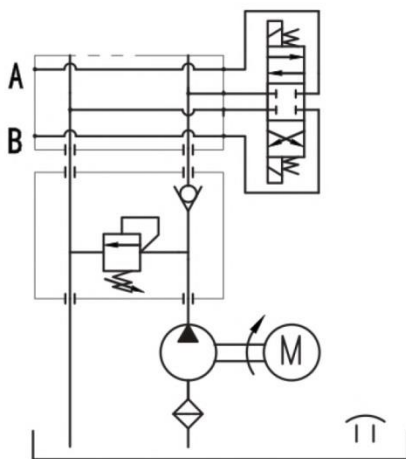
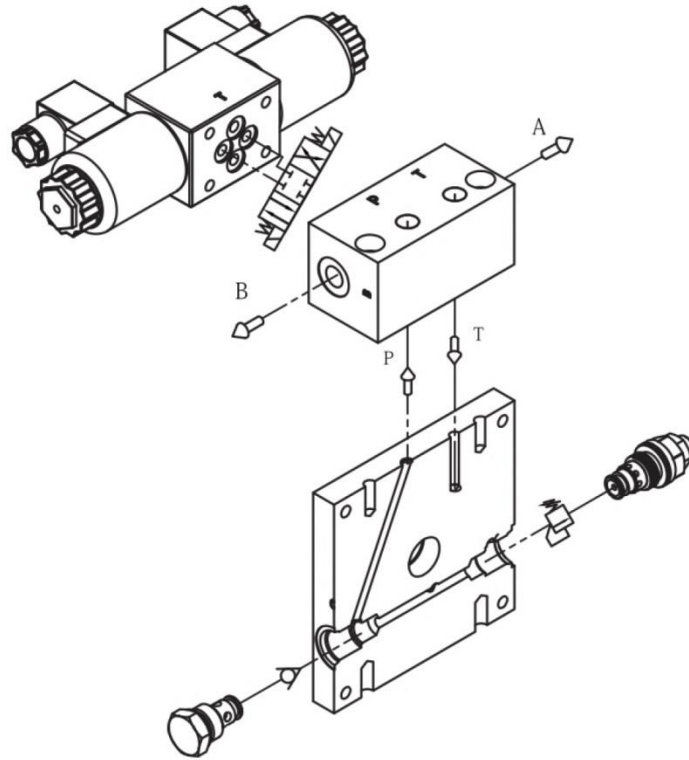
Central Manifold:500208 Stacked Manifold:560102



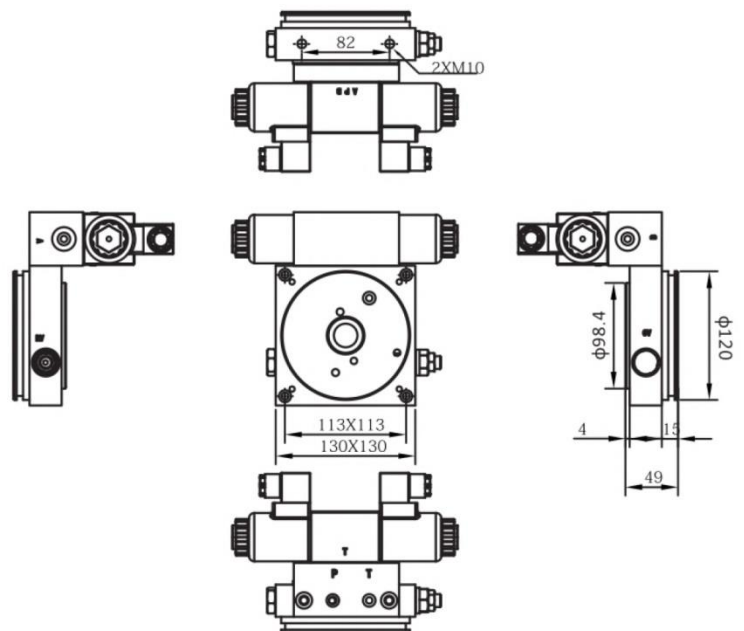
TEL: 01584 876 033
EMAIL: www.sales@flowfitonline.com

FAX: 01584 876 044
WEB: www.flowfitonline.com

Central Manifold:500202 Stacked Manifold:560102



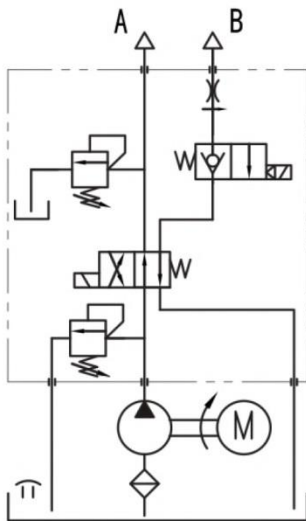
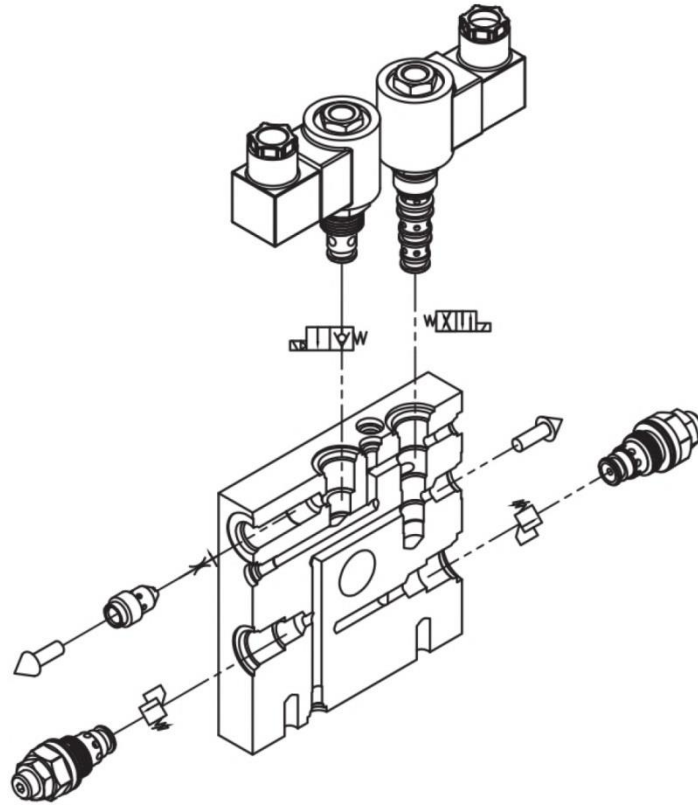
111



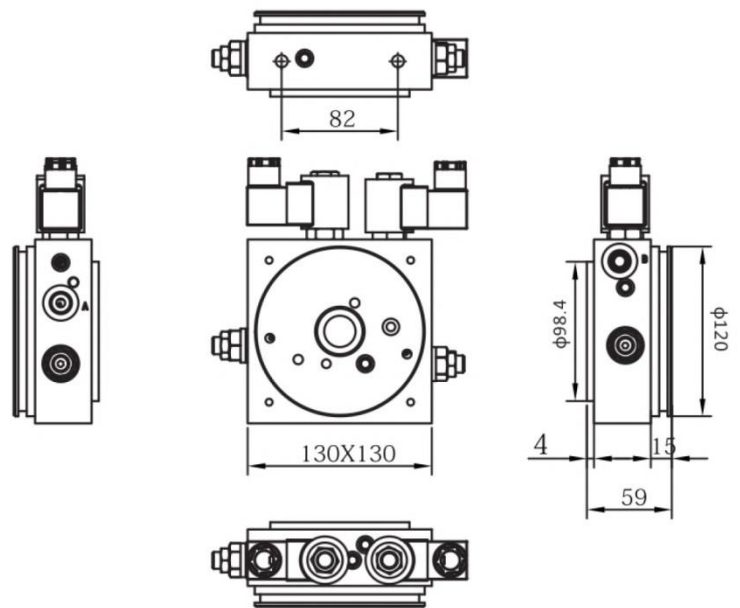
TEL: 01584 876 033
EMAIL: www.sales@flowfitonline.com

FAX: 01584 876 044
WEB: www.flowfitonline.com

Central Manifold:500216



116



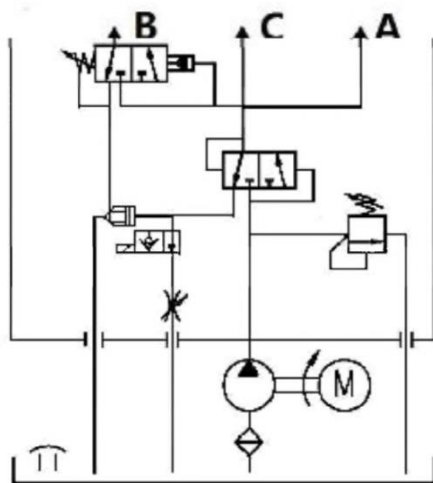
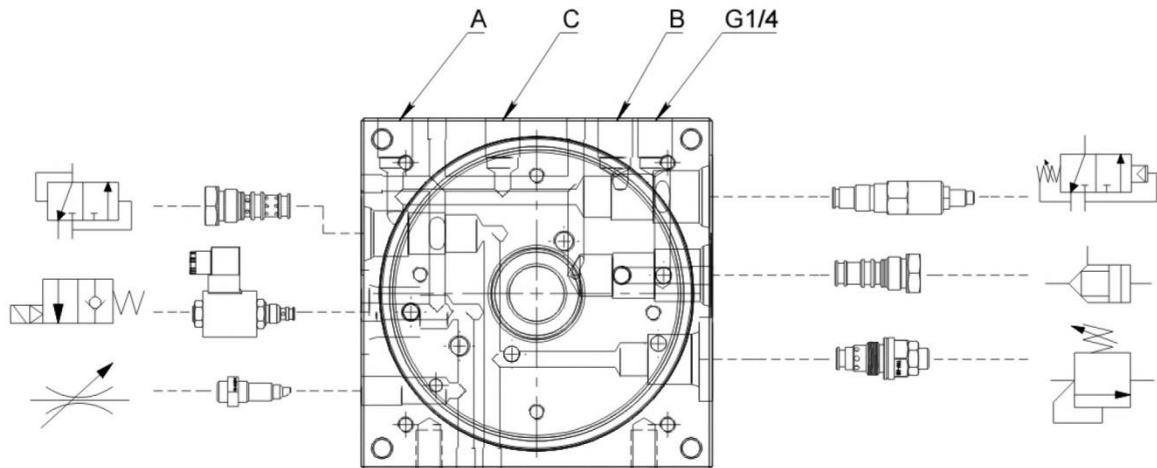
TEL: 01584 876 033

EMAIL: www.sales@flowfitonline.com

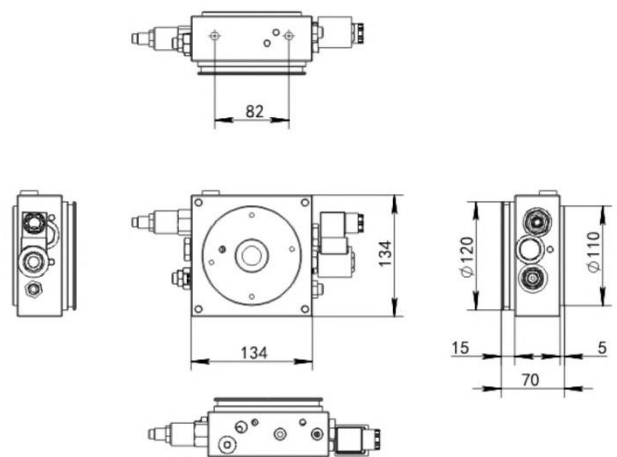
FAX: 01584 876 044

WEB: www.flowfitonline.com

Central Manifold:500151



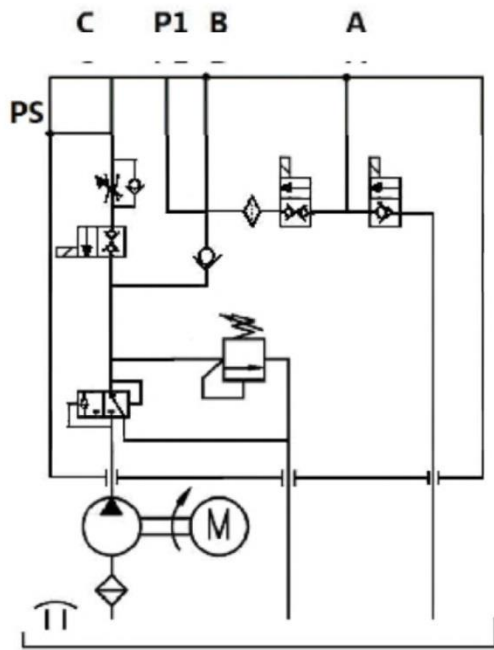
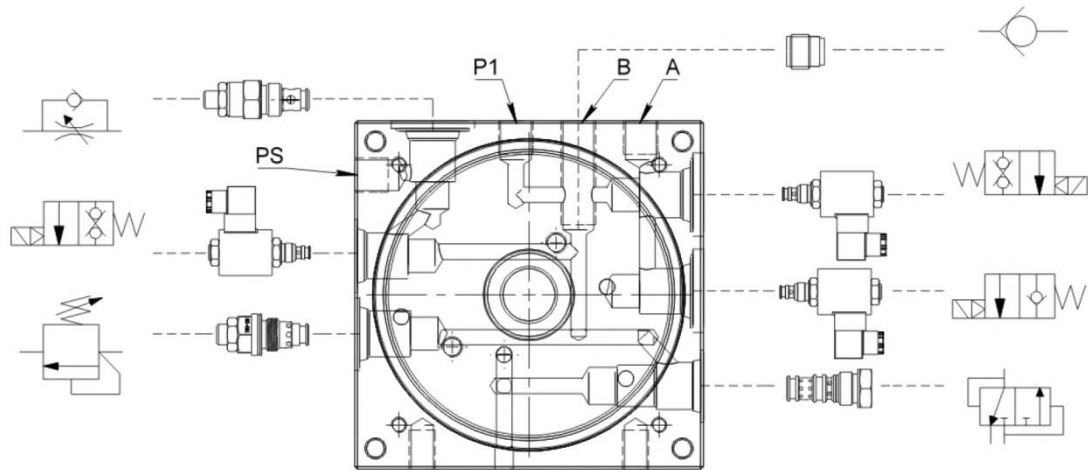
Dock Leveler



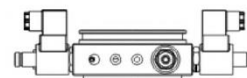
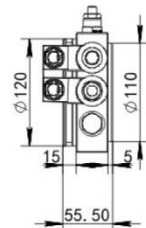
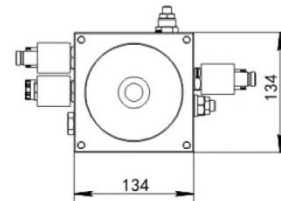
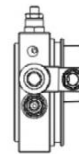
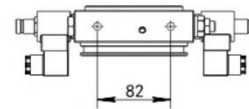
TEL: 01584 876 033
 EMAIL: www.sales@flowfitonline.com

FAX: 01584 876 044
 WEB: www.flowfitonline.com

Central Manifold:500153



Dock Leveler



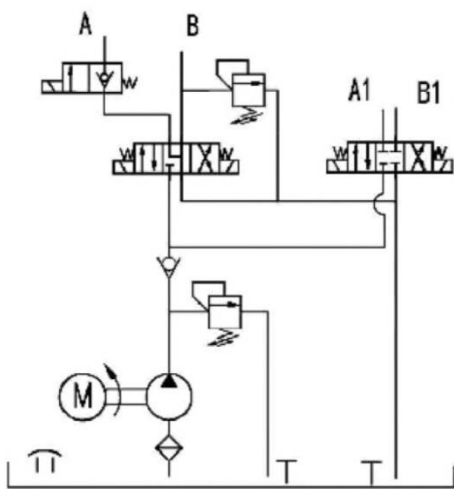
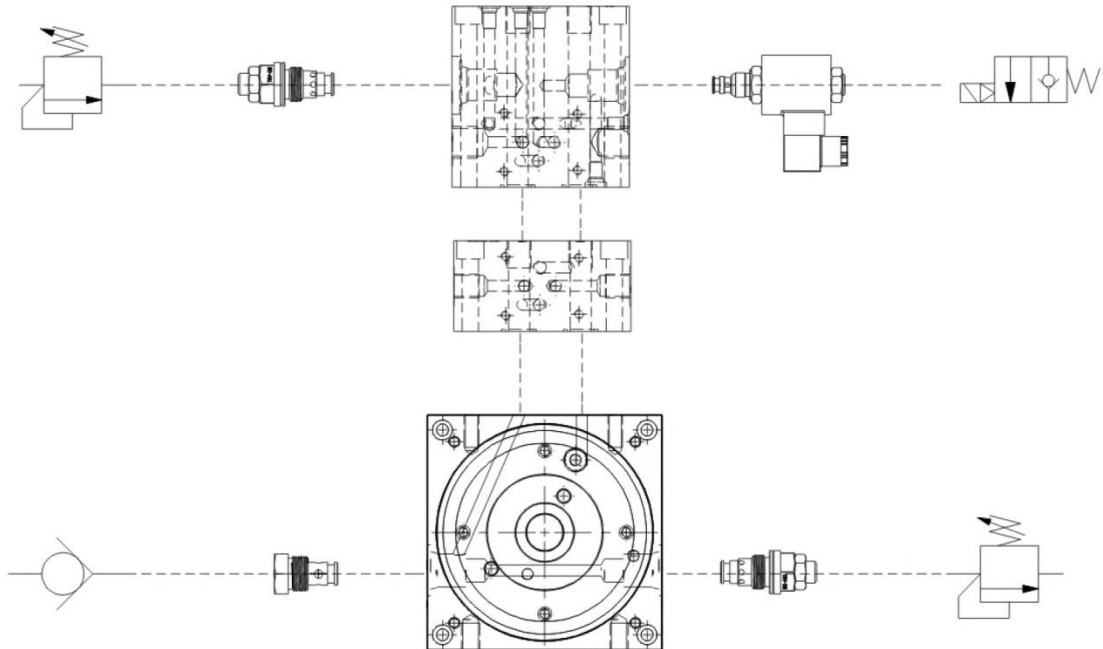
TEL: 01584 876 033

EMAIL: www.sales@flowfitonline.com

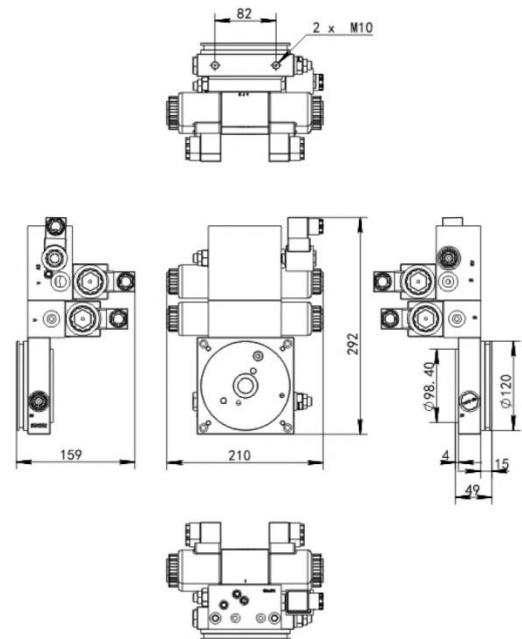
FAX: 01584 876 044

WEB: www.flowfitonline.com

Central Manifold:500202 Stacked Manifold:560102 560105



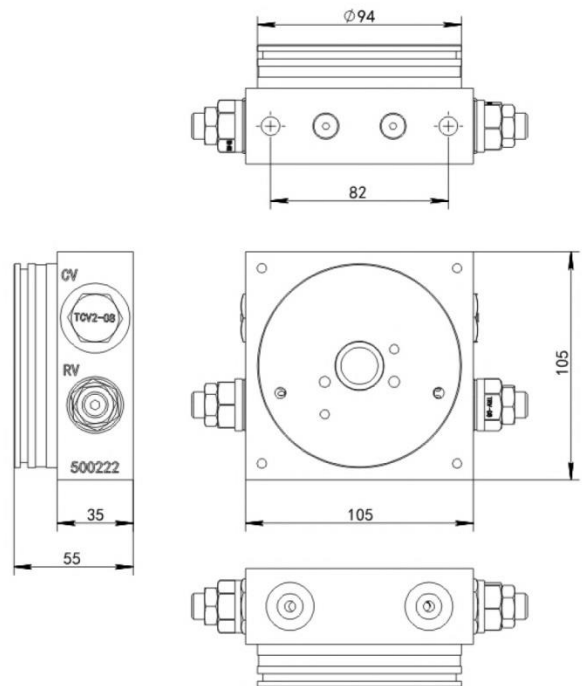
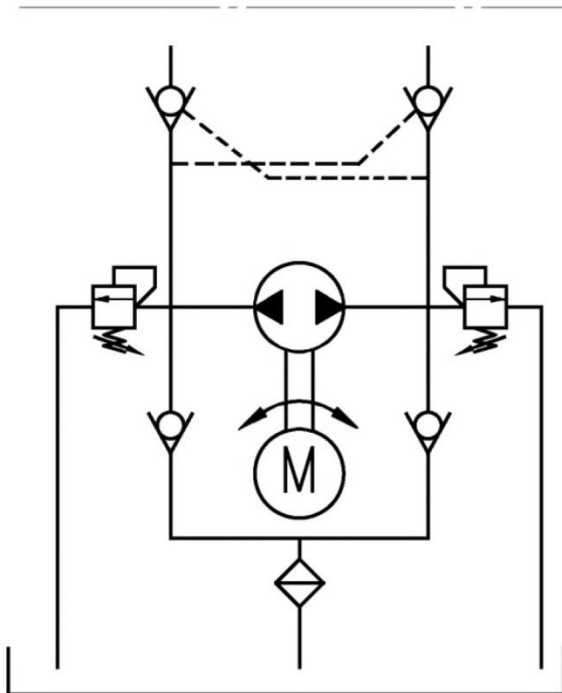
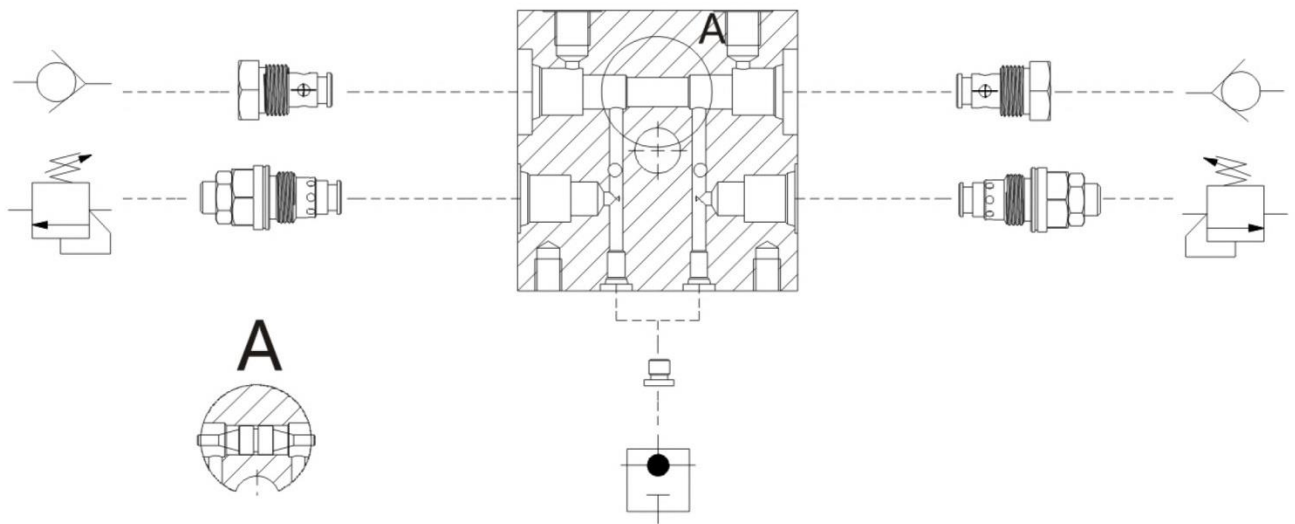
Snow Plow



TEL: 01584 876 033
EMAIL: www.sales@flowfitonline.com

FAX: 01584 876 044
WEB: www.flowfitonline.com

Central Manifold:500222



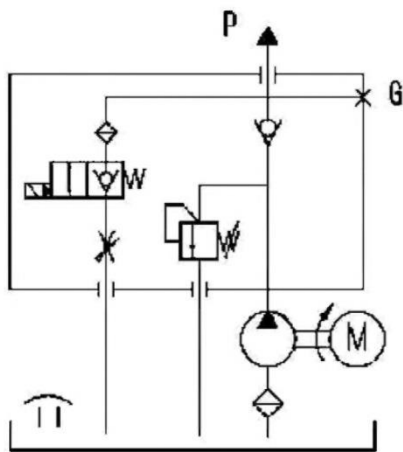
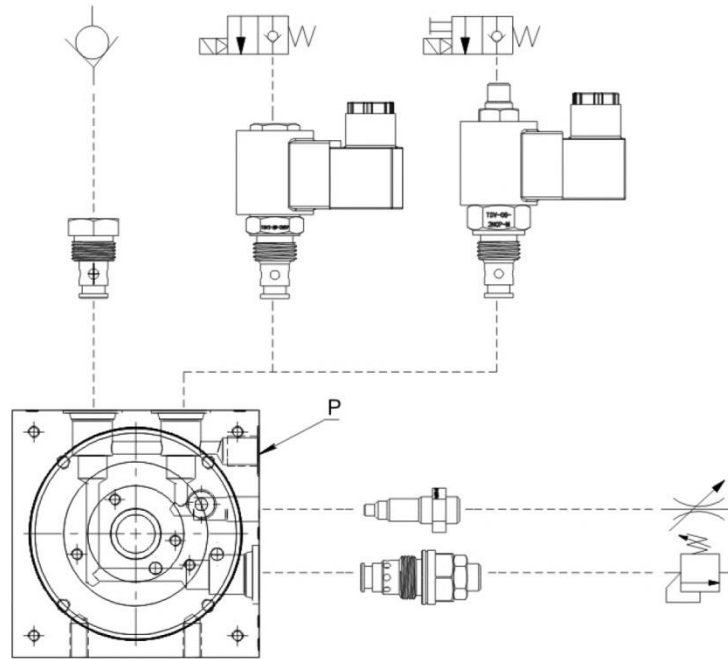
TEL: 01584 876 033

EMAIL: www.sales@flowfitonline.com

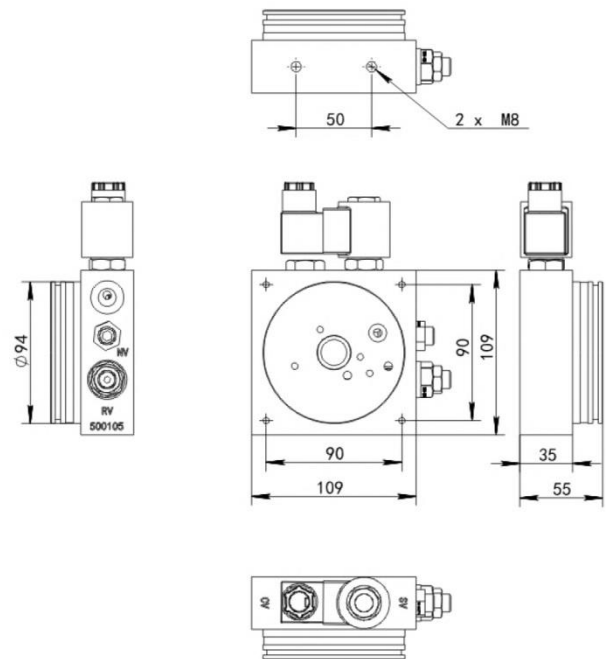
FAX: 01584 876 044

WEB: www.flowfitonline.com

Central Manifold:500105



101



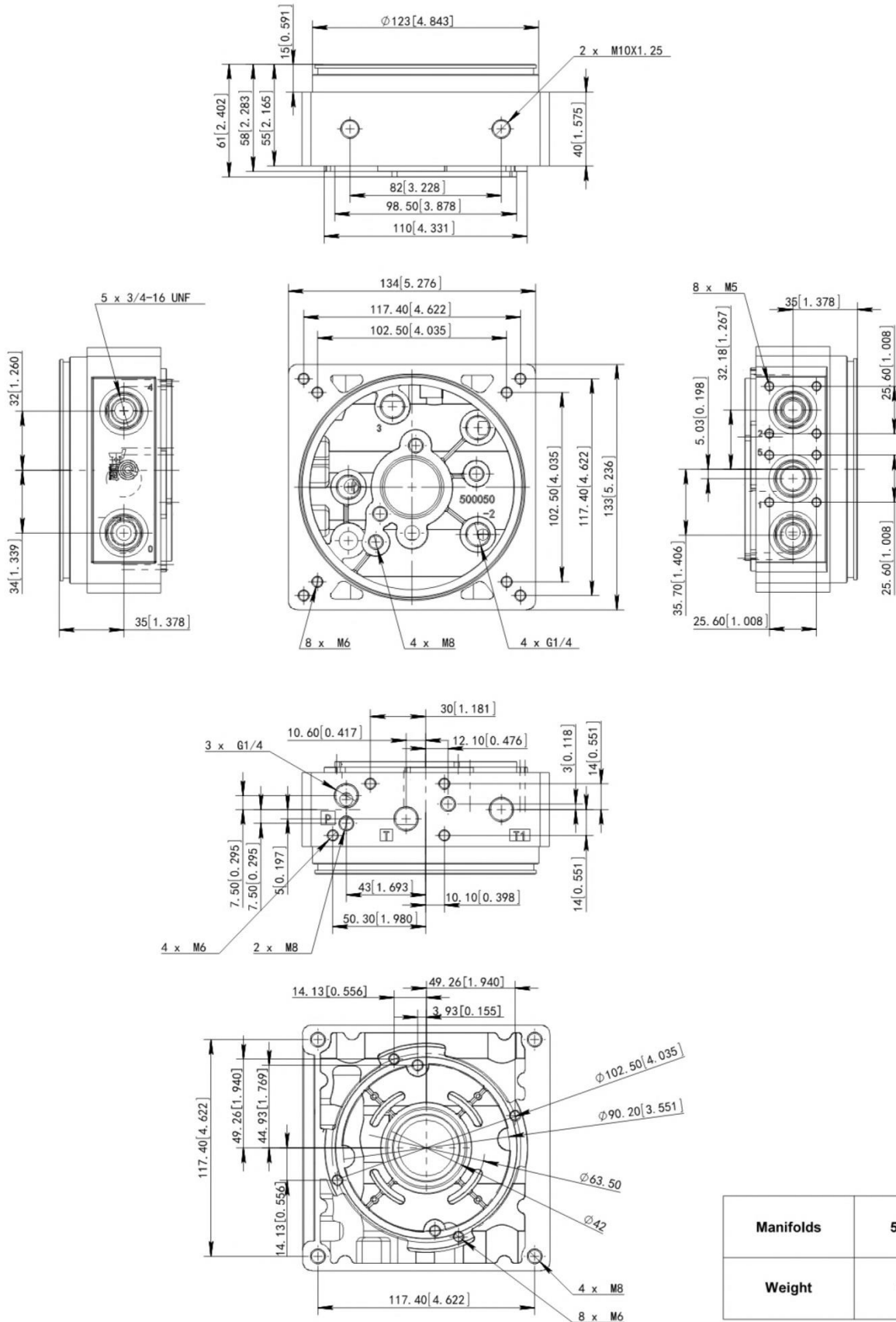
TEL: 01584 876 033

EMAIL: www.sales@flowfitonline.com

FAX: 01584 876 044

WEB: www.flowfitonline.com

500050-2 CENTRAL MANIFOLDS-OVERALL DIMENSIONS



Manifolds	500050-2
Weight	1.10kg

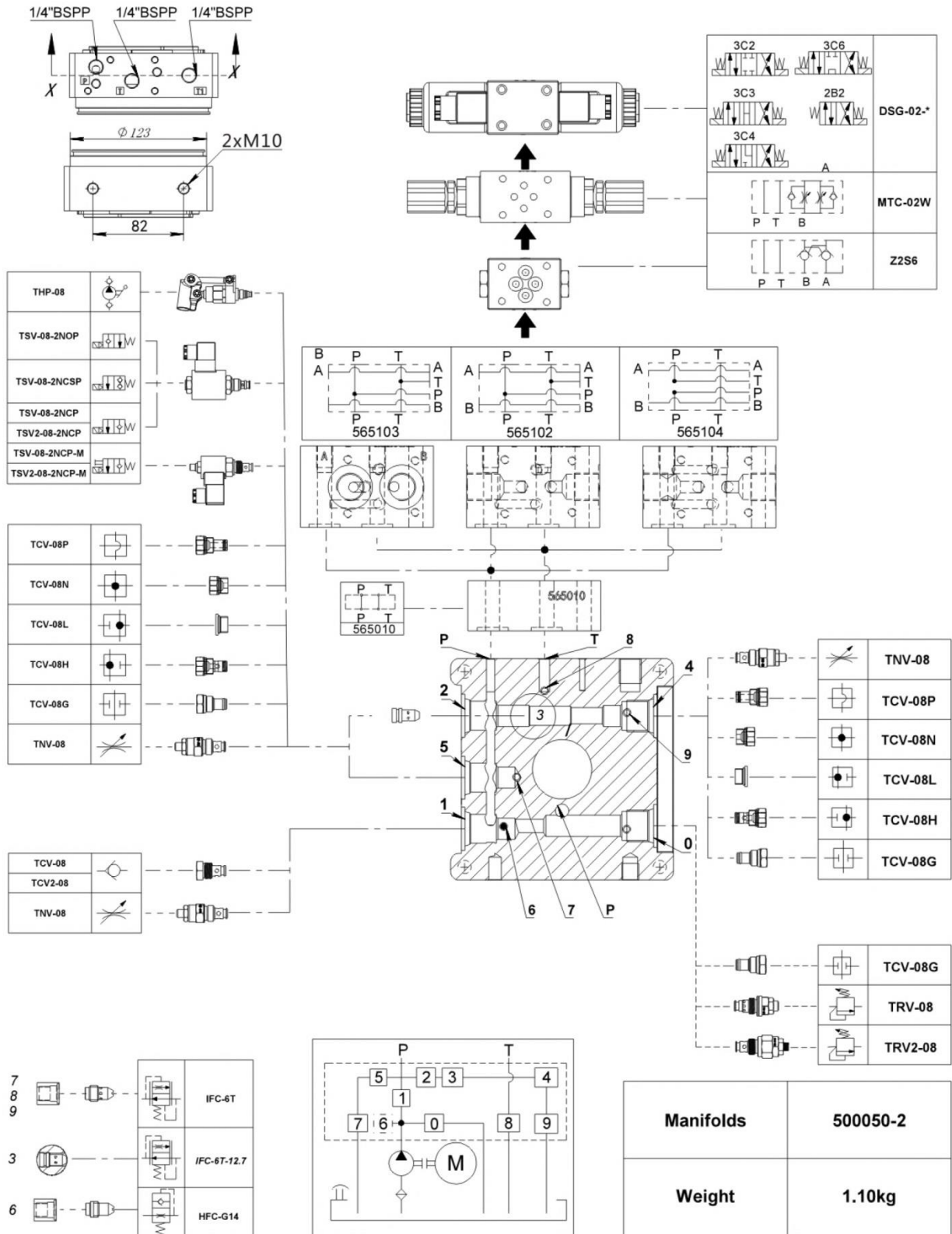
TEL: 01584 876 033

EMAIL: www.sales@flowfitonline.com

FAX: 01584 876 044

WEB: www.flowfitonline.com

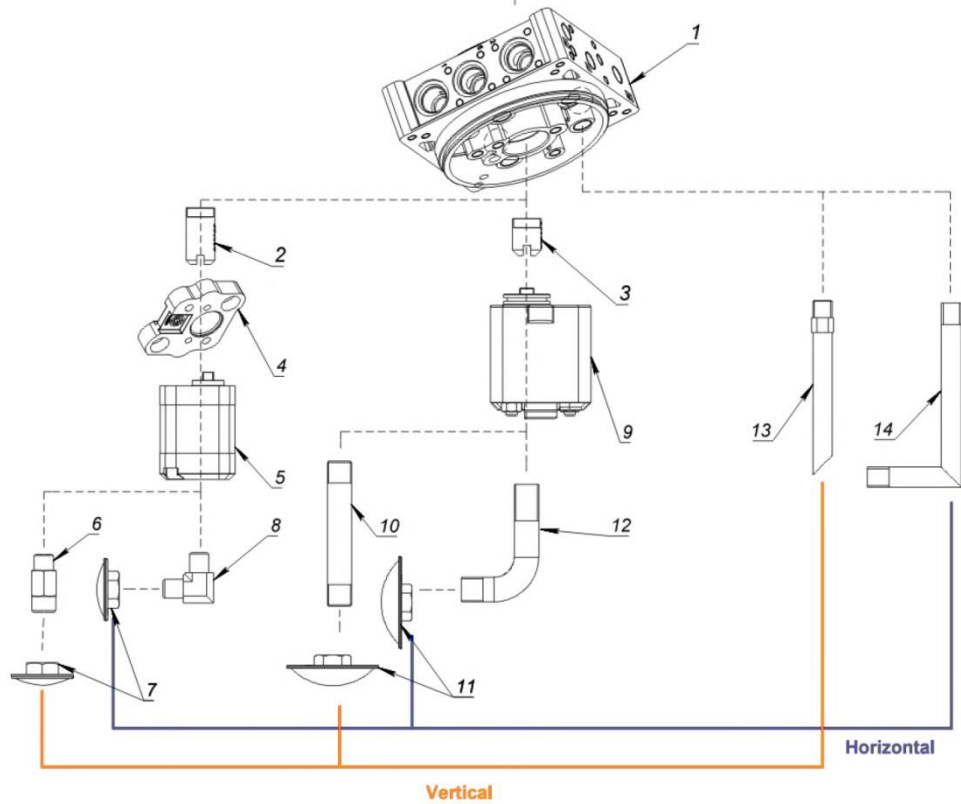
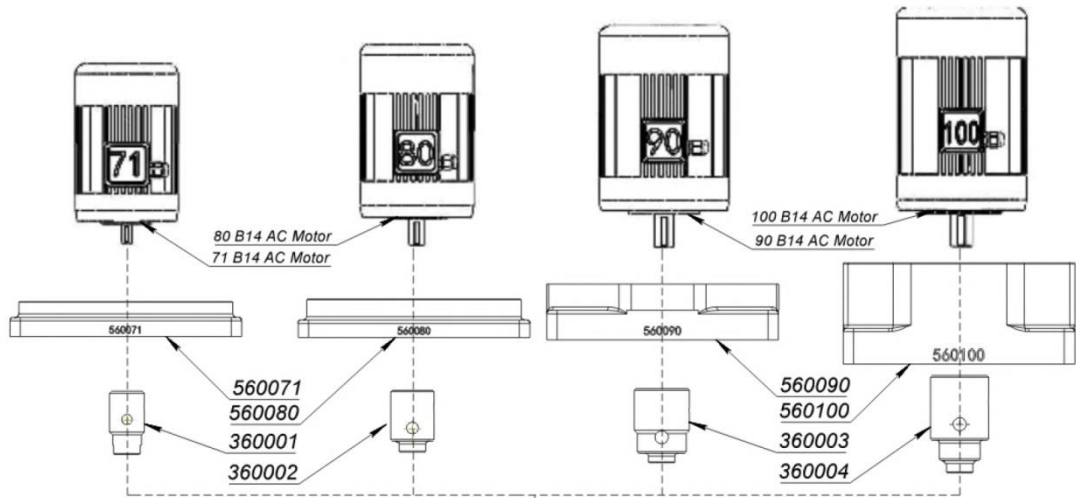
500050-2 CENTRAL MANIFOLDS CAVITIES & COMPONENTS



TEL: 01584 876 033
 EMAIL: www.sales@flowfitonline.com

FAX: 01584 876 044
 WEB: www.flowfitonline.com

B14 AC MOTORS PUMPS & ACCESSORIES ASSEMBLY GUIDE



Number	1	2	3	4	5	6	7
Item	500050-2	360006	360005	560001	Group 0.5 pump	ZG38-14-*	F43

Number	8	9	10	11	12	13	14
Item	ZG38-14-90	Group 1.0 pump	PSP-*	F65	ZG38-90	RP-G14-*	RP-14-90

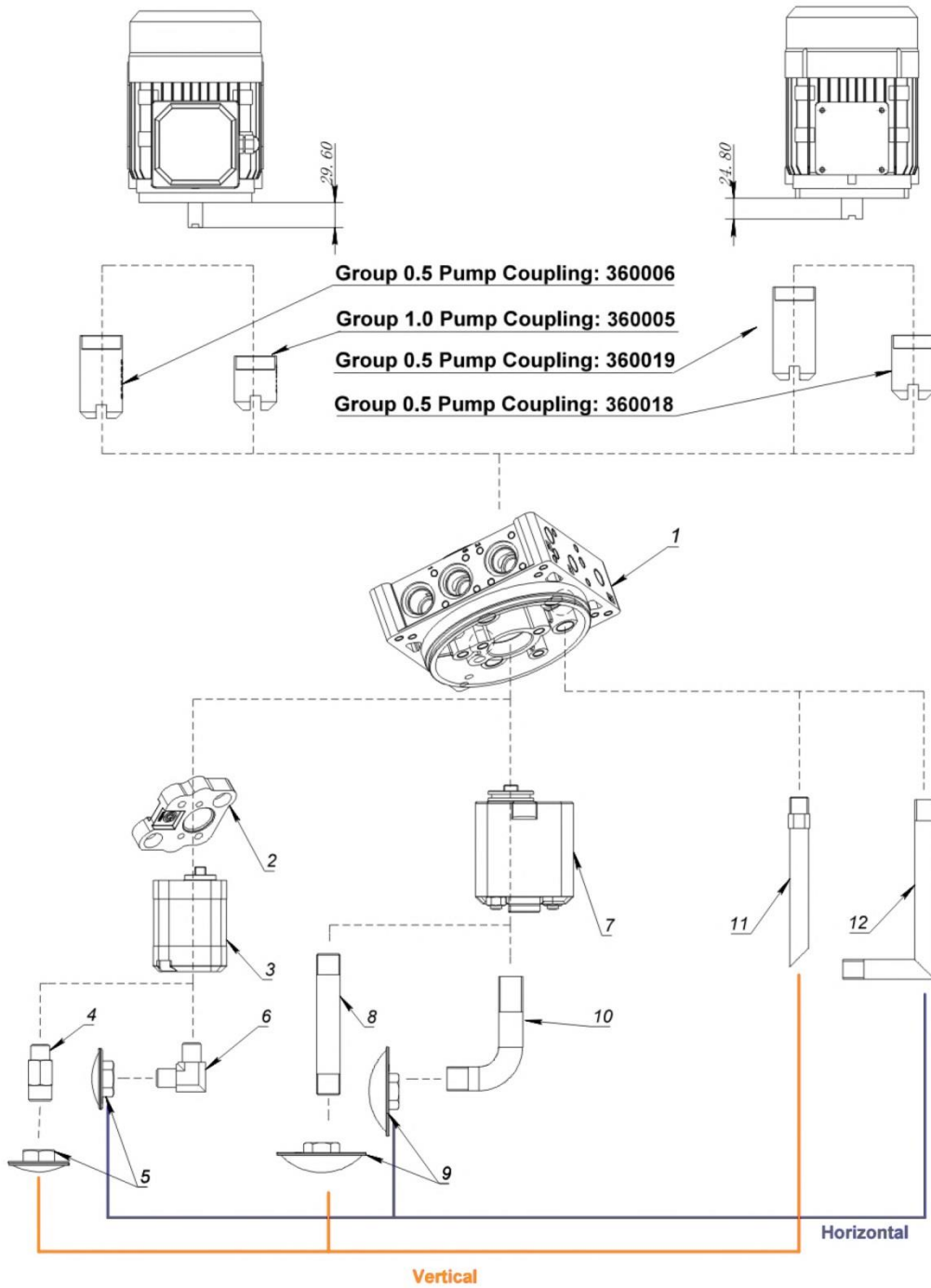
TEL: 01584 876 033

EMAIL: www.sales@flowfitonline.com

FAX: 01584 876 044

WEB: www.flowfitonline.com

INTEGRAL AC MOTORS PUMPS & ACCESSORIES ASSEMBLY GUIDE



Number	1	2	3	4	5	6
Item	500050-2	560001	Group 0.5 pump	ZG38-14-*	F43	ZG38-14-90

Number	7	8	9	10	11	12
Item	Group 1.0 pump	PSP-*	F65	ZG38-90	RP-G14-*	RP-14-90

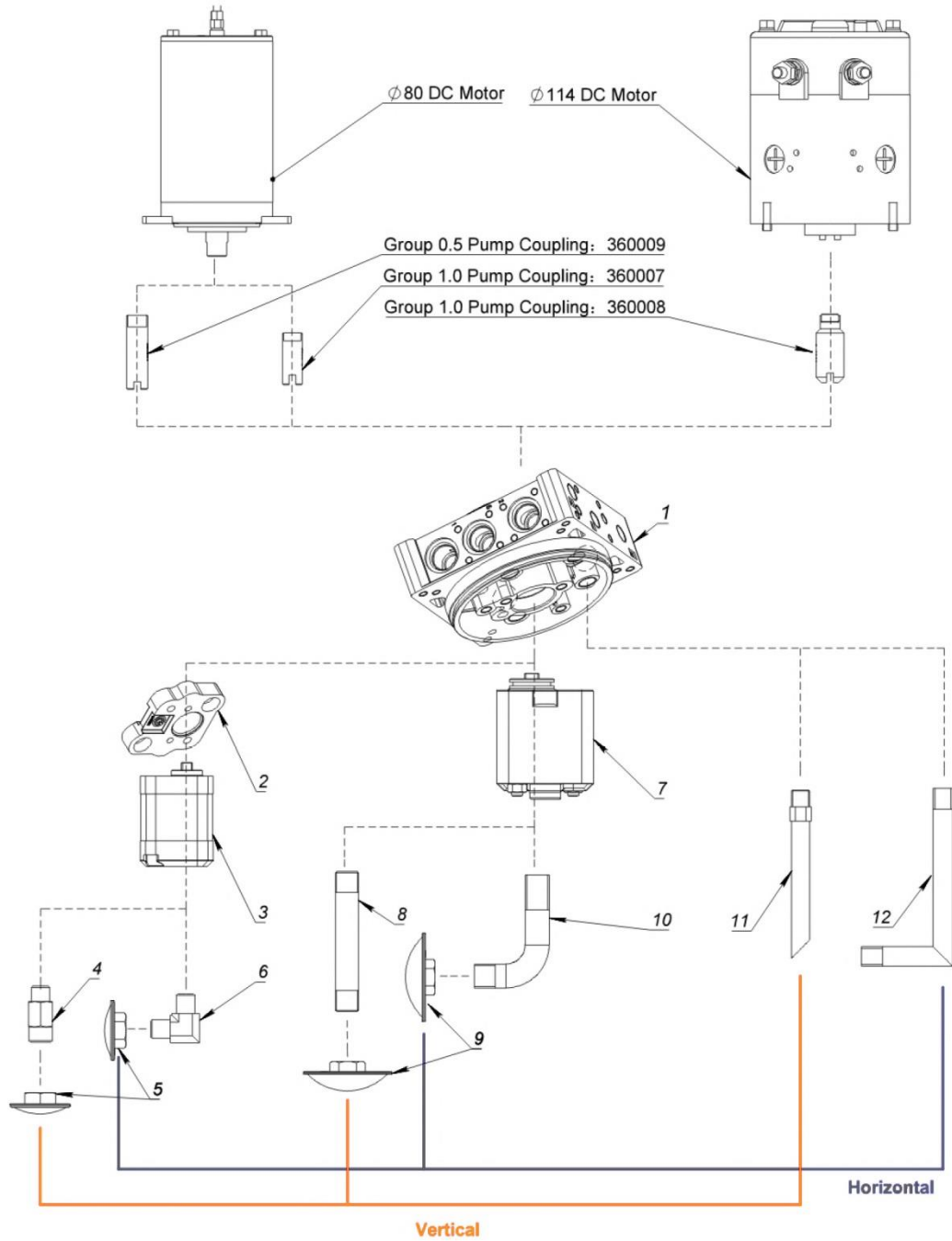
TEL: 01584 876 033

EMAIL: www.sales@flowfitonline.com

FAX: 01584 876 044

WEB: www.flowfitonline.com

DC MOTORS PUMPS & ACCESSORIES ASSEMBLY GUIDE



Number	1	2	3	4	5	6
Item	500050-2	560001	Group 0.5 pump	ZG38-14-*	F43	ZG38-14-90

Number	7	8	9	10	11	12
Item	Group 1.0 pump	PSP-*	F65	ZG38-90	RP-G14-*	RP-14-90

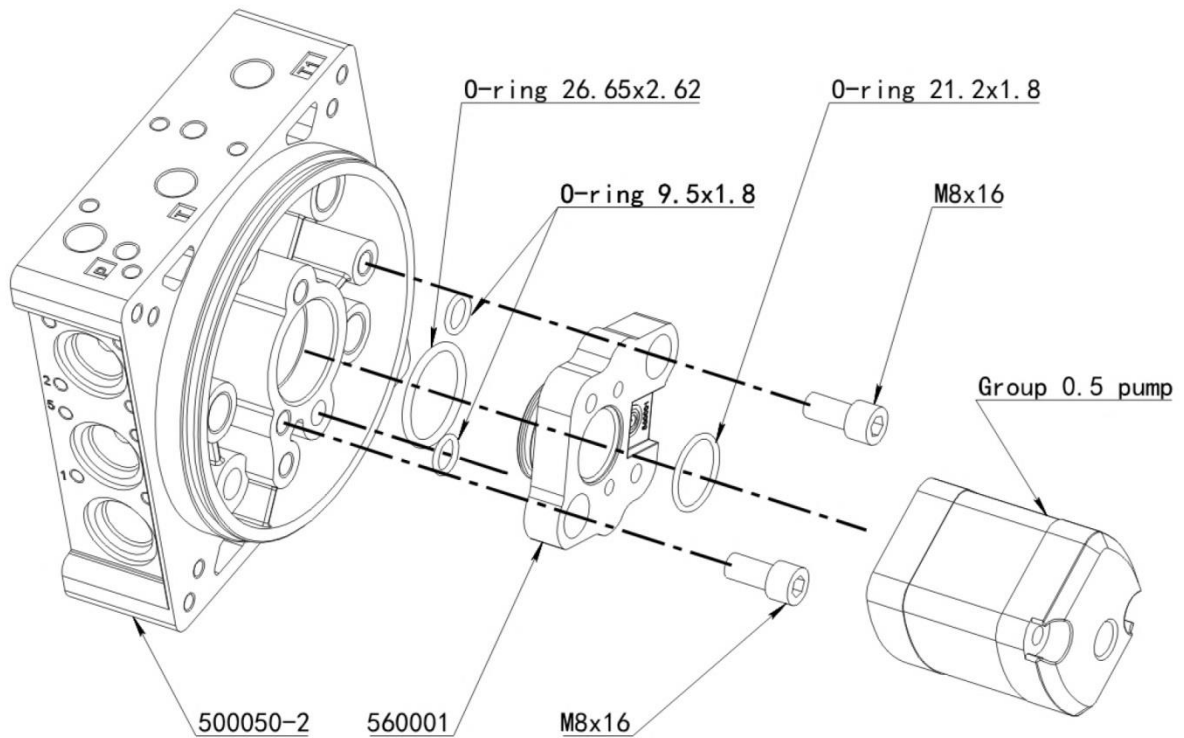
TEL: 01584 876 033

EMAIL: www.sales@flowfitonline.com

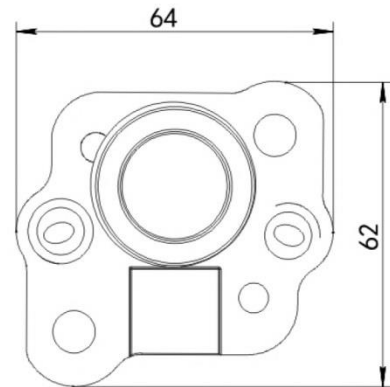
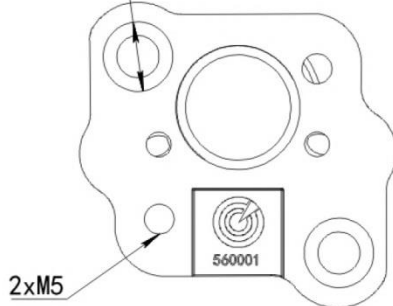
FAX: 01584 876 044

WEB: www.flowfitonline.com

CENTRAL MANIFOLD & GROUP 0.5 PUMP ASSEMBLY GUIDE



∅8.50 贯穿
□ ∅14▽8



Model	Weight/kg
560001	0.07

TEL: 01584 876 033
EMAIL: www.sales@flowfitonline.com

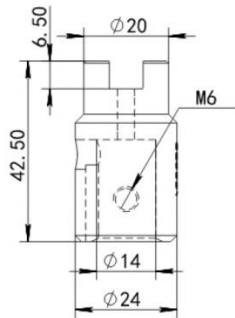
FAX: 01584 876 044
WEB: www.flowfitonline.com

MOUNTING KIT FOR FRAME 71 B14 AC MOTORS

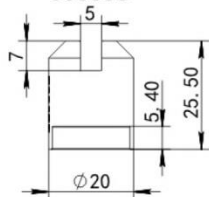


Couplings

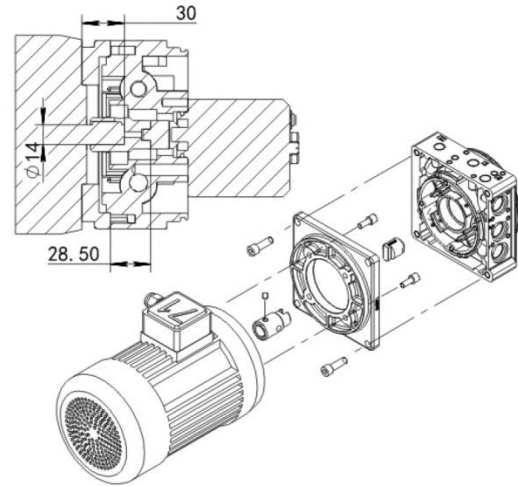
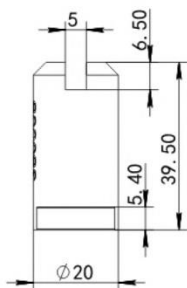
Motor Side
360001



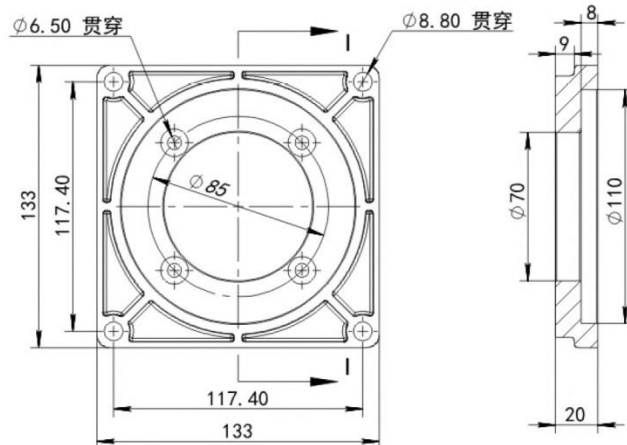
Group 1.0 Pump Side
360005



Group 0.5 Pump Side
360006



Aluminum Flange: 560071



Description	Part Number	Weight(kg)
Motor Side Coupling	360001	0.095
Group 0.5 Pump Side Coupling	360006	0.080
Group 1.0 Pump Side Coupling	360005	0.050
Aluminum Flange	560071	0.30
Motor Flange Assembly Screw	4X DIN 912 M6X16	0.030
Manifold Flange Assembly Screw	4X DIN 912 M8X25	0.060
Coupling Screw	DIN 912 M6X8	-

TEL: 01584 876 033

EMAIL: www.sales@flowfitonline.com

FAX: 01584 876 044

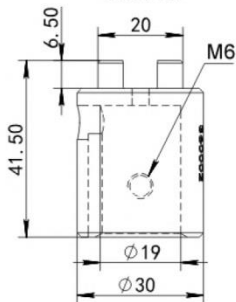
WEB: www.flowfitonline.com

MOUNTING KIT FOR FRAME 80 B14 AC MOTORS

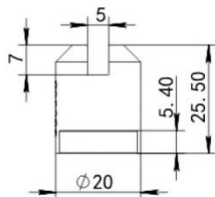


Couplings

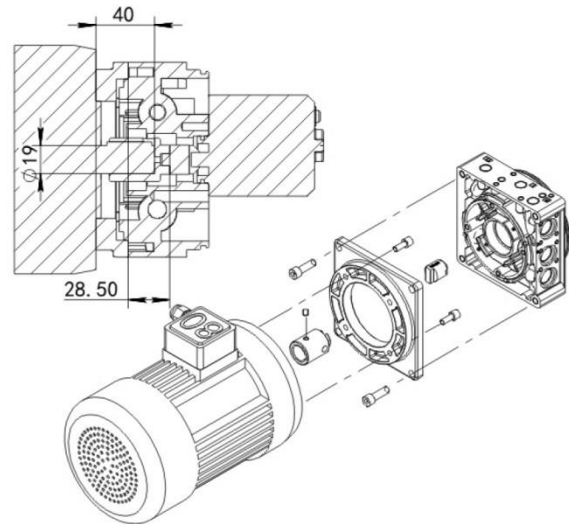
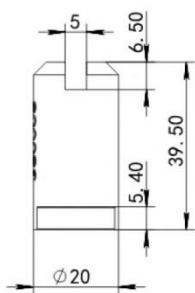
Motor Side
360002



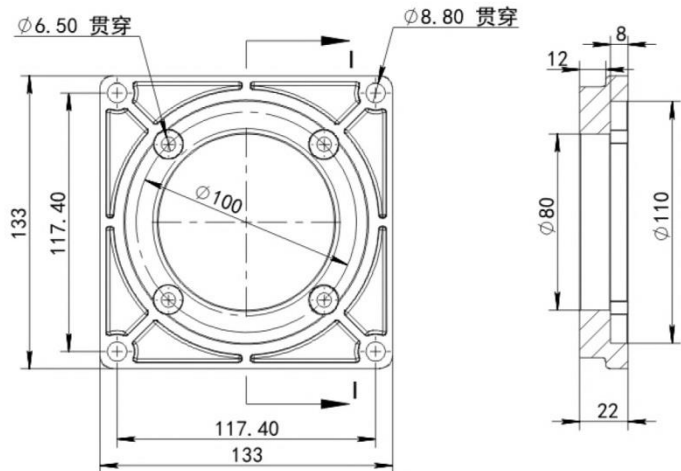
Group 1.0 Pump Side
360005



Group 0.5 Pump Side
360006



Aluminum Flange: 560080



Description	Part Number	Weight(kg)
Motor Side Coupling	360002	0.125
Group 0.5 Pump Side Coupling	360006	0.080
Group 1.0 Pump Side Coupling	360005	0.050
Aluminum Flange	560080	0.310
Motor Flange Assembly Screw	4X DIN 912 M6X16	0.030
Manifold Flange Assembly Screw	4X DIN 912 M8X25	0.060
Coupling Screw	M6X8	-

TEL: 01584 876 033

EMAIL: www.sales@flowfitonline.com

FAX: 01584 876 044

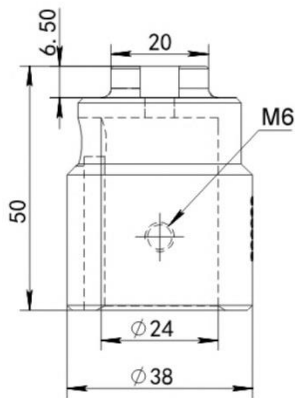
WEB: www.flowfitonline.com

MOUNTING KIT FOR FRAME 90 B14 AC MOTORS

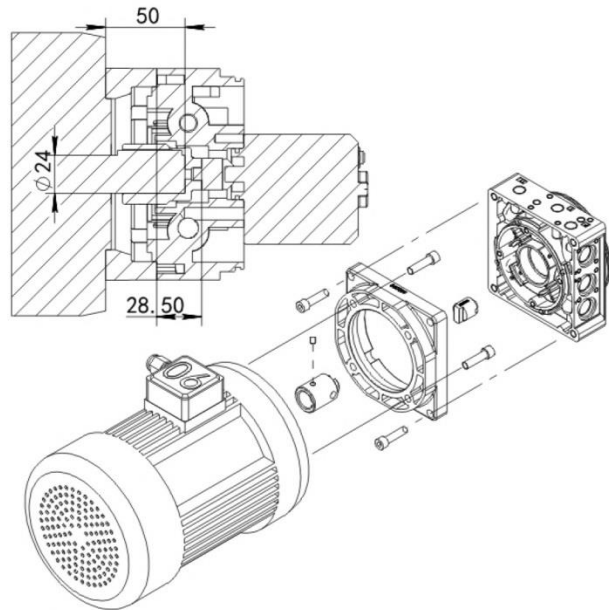
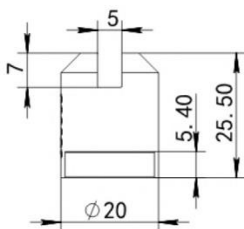


Couplings

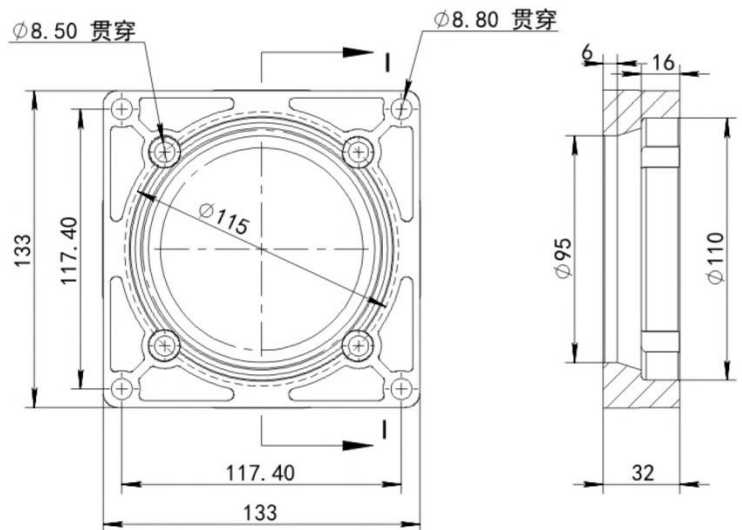
Motor Side
360003



Group 1.0 Pump Side
360005



Aluminum Flange: 560090



Description	Part Number	Weight(kg)
Motor Side Coupling	360003	0.220
Group 1.0 Pump Side Coupling	360005	0.050
Aluminum Flange	560090	0.390
Motor Flange Assembly Screw	4X DIN 912 M8X16	0.050
Manifold Flange Assembly Screw	4X DIN 912 M8X30	0.065
Coupling Screw	DIN 912 M6X8	-

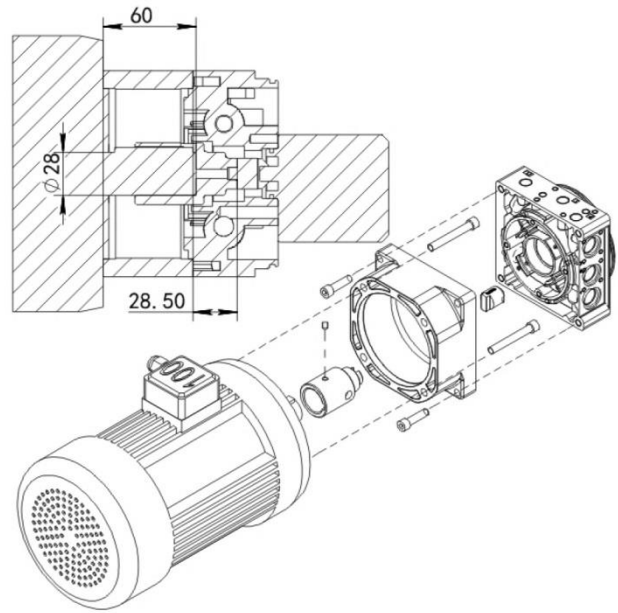
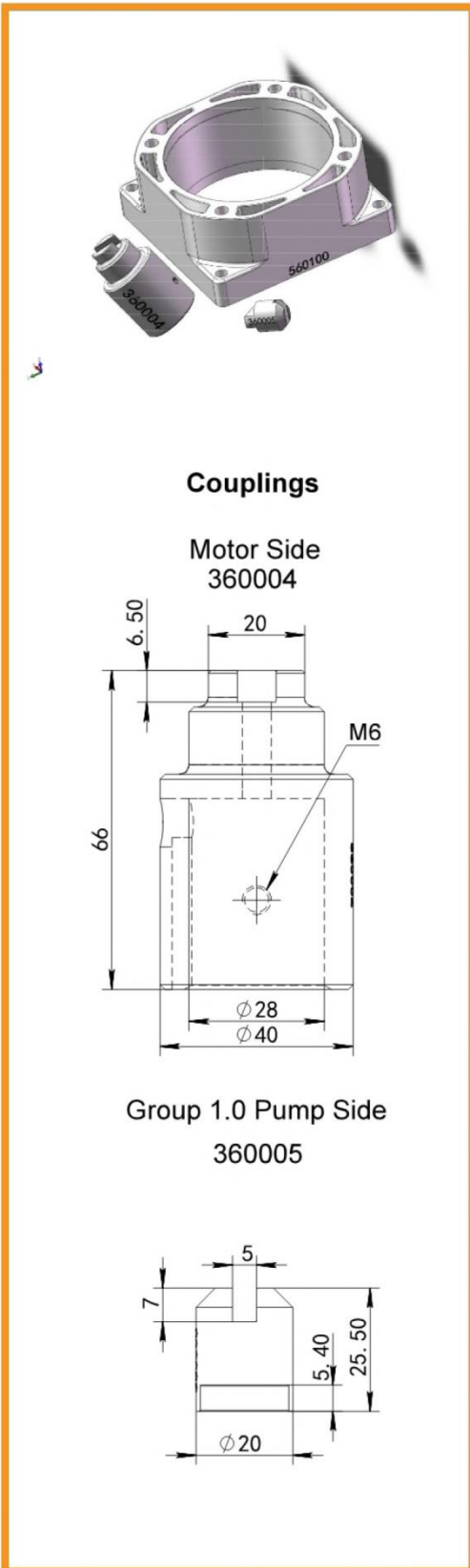
TEL: 01584 876 033

EMAIL: www.sales@flowfitonline.com

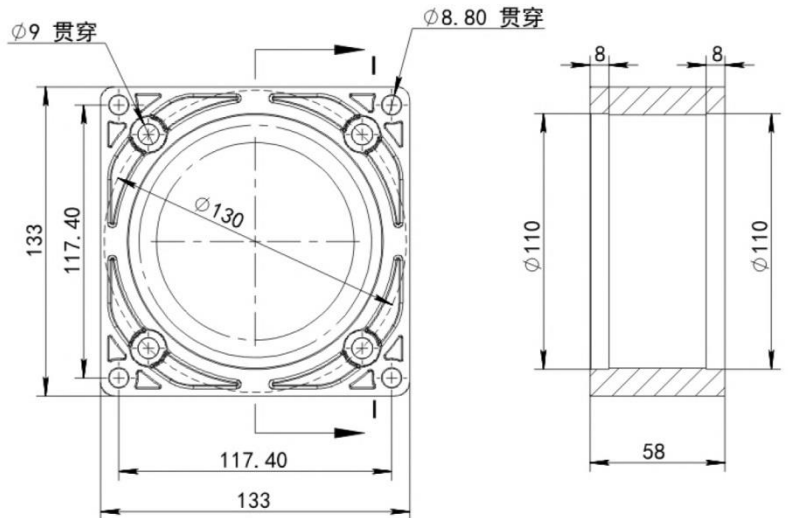
FAX: 01584 876 044

WEB: www.flowfitonline.com

MOUNTING KIT FOR FRAME 100/112 B14 AC MOTORS



Aluminum Flange: 560100



Description	Part Number	Weight(kg)
Motor Side Coupling	360004	0.310
Group 1.0 Pump Side Coupling	360005	0.050
Aluminum Flange	560100	0.700
Motor Flange Assembly Screw	4X DIN 912 M8X55	0.125
Manifold Flange Assembly Screw	4X DIN 912 M8X30	0.065
Coupling Screw	DIN 912 M6X8	-

TEL: 01584 876 033
EMAIL: www.sales@flowfitonline.com

FAX: 01584 876 044
WEB: www.flowfitonline.com

SUMMARY TABLE-MANIFOLD/PUMP/MOTOR COUPLING KITS

Motor	Coupling	Manifold	Pump
B14 AC Motors 71	360001+360006	Die Casting Manifold+71 Flanges+560001	Group 0.5 Pump
	360001+360005	Die Casting Manifold+71 Flanges	Group 1.0 Pump
B14 AC Motors 80	360002+360006	Die Casting Manifold+80 Flanges+560001	Group 0.5 Pump
	360002+360005	Die Casting Manifold+80 Flanges	Group 1.0 Pump
B14 AC Motors 90	360003+360006	Die Casting Manifold+90 Flanges+560001	Group 0.5 Pump
	360003+360005	Die Casting Manifold+90 Flanges	Group 1.0 Pump
B14 AC Motors 100/112	360004+360006	Die Casting Manifold+100/112 Flanges + 560001	Group 0.5 Pump
	360004+360005	Die Casting Manifold+100/112 Flanges	Group 1.0 Pump
Integral AC Motors Axis length(29.6)	360006	Die Casting Manifold+560001	Group 0.5 Pump
	360005	Die Casting Manifold	Group 1.0 Pump
	360015	500151 (thickness: 70mm)	
Integral AC Motors Axis length(24.8)	360019	Die Casting Manifold+560001	Group 0.5 Pump
	360018	Die Casting Manifold	Group 1.0 Pump
Integral DC Motors ϕ 114		Die Casting Manifold+560001	Group 0.5 Pump
	360008	Die Casting Manifold	Group 1.0 Pump
Integral DC Motors ϕ 80	360009	Die Casting Manifold+560001	Group 0.5 Pump
	360007	Die Casting Manifold	Group 1.0 Pump
	360033	500105 500115 500222 (thickness: 55mm)	Group 0.5 Pump
	360029	Other Manifold (thickness: 49/50mm)	Group 1.0 Pump
Integral AC Motors / DC Motors ϕ 114 (Nine tooth bond)	C57	Other Manifold +560001 (thickness: 49/50mm)	Group 0.5 Pump
		500216 (thickness: 60mm)	Group 1.0 Pump
	C46	Other Manifold (thickness: 49/50mm)	Group 1.0 Pump

TEL: 01584 876 033

EMAIL: www.sales@flowfitonline.com

FAX: 01584 876 044

WEB: www.flowfitonline.com

Stacking Manifold Block

CODE	DESCRIPTION	SYMBOL	DIMENSIONS
560010	Spacer Manifold Adapter		
560102	Parallel Manifold Block		
560104	Manifold Block In Series		<p>A B Port: 3/8" BSPP Other porting is available</p>
560306	Parallel Manifold Block		<p>A1 A2 A3 B1 B2 B3 Port: 3/8" BSPP Other porting is available</p>

TEL: 01584 876 033
EMAIL: www.sales@flowfitonline.com

FAX: 01584 876 044
WEB: www.flowfitonline.com

Stacking Manifold Block

ORDER CODE	DESCRIPTION	SYMBOL	DIMENSIONS
565006	Motor Side 90° Rotation Manifold		<p>P T Port: 1/8" BSPP P1 T1 Port: 1/4" BSPP Dimensions in mm [inches] Weight: 0.44kgs</p>
565010	Spacer Manifold Adapter		<p>Dimensions in mm [inches] Weight: 0.25kgs</p>
565103	NG6(CETOP3) Modular Manifolds Parallel Connection Rear Ports		<p>P T Port: 1/8" BSPP A B Port: 3/8" BSPP Other porting is available Dimensions in mm [inches] Weight: 0.58kgs</p>
565102	NG6(CETOP3) Modular Manifolds Parallel Connection Lateral Ports		<p>P T Port: 1/8" BSPP A B Port: 3/8" BSPP Other porting is available Dimensions in mm [inches] Weight: 0.58kgs</p>

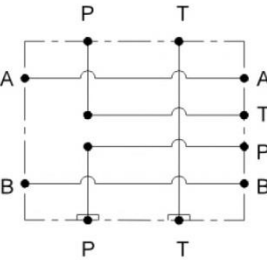
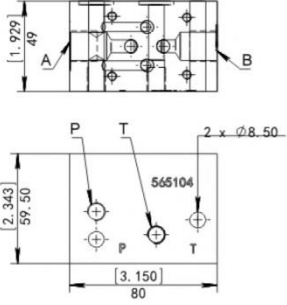
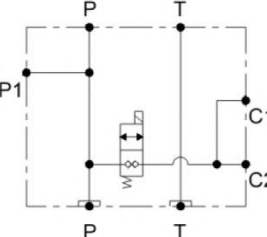
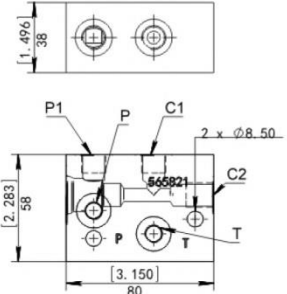
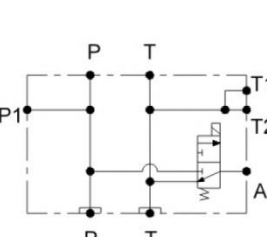
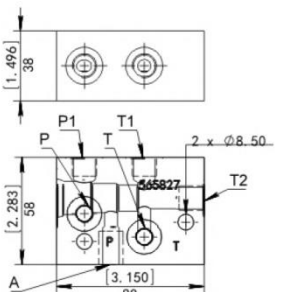
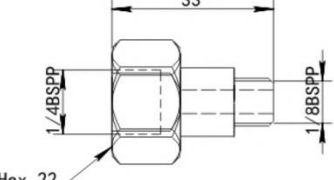
TEL: 01584 876 033

EMAIL: www.sales@flowfitonline.com

FAX: 01584 876 044

WEB: www.flowfitonline.com

Stacking Manifold Block

ORDER CODE	DESCRIPTION	SYMBOL	DIMENSIONS
565104	NG6(CETOP3) Modular Manifolds, Series connection Lateral Ports		 <p> P T Port: 1/8"BSPP A B Port: 3/8"BSPP Other porting is available Dimensions in mm [inches] </p> <p> Weight: 0.60kgs </p>
565821	Modular Manifold for 3/4-16 UNF Cartridges, Two Way, Two Position		 <p> P T Port: 1/8"BSPP P1 C1 Port: 1/4"BSPP C2 Port: 3/8"BSPP Other porting is available Dimensions in mm [inches] </p> <p> Weight: 0.42kgs </p>
565827	Modular Manifold for 3/4-16 UNF Cartridges, Three Way, Two Position		 <p> P T A Port: 1/8"BSPP Other Port: 1/4"BSPP Other porting is available Dimensions in mm [inches] </p> <p> Weight: 0.40kgs </p>
TCV-08-84	Opting P port: P port 1/4BSPP for modular blocks		 <p> Hex. 22 </p>

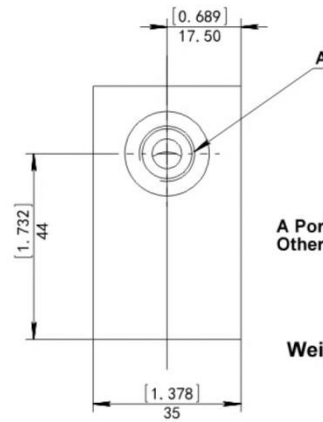
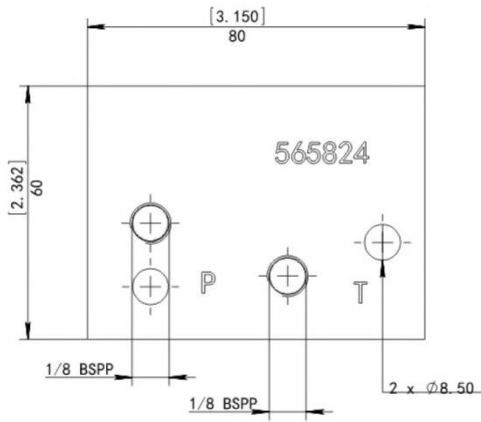
TEL: 01584 876 033

EMAIL: www.sales@flowfitonline.com

FAX: 01584 876 044

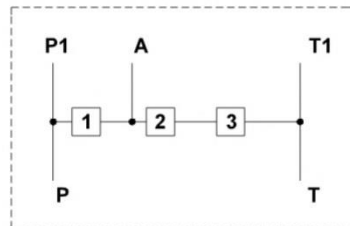
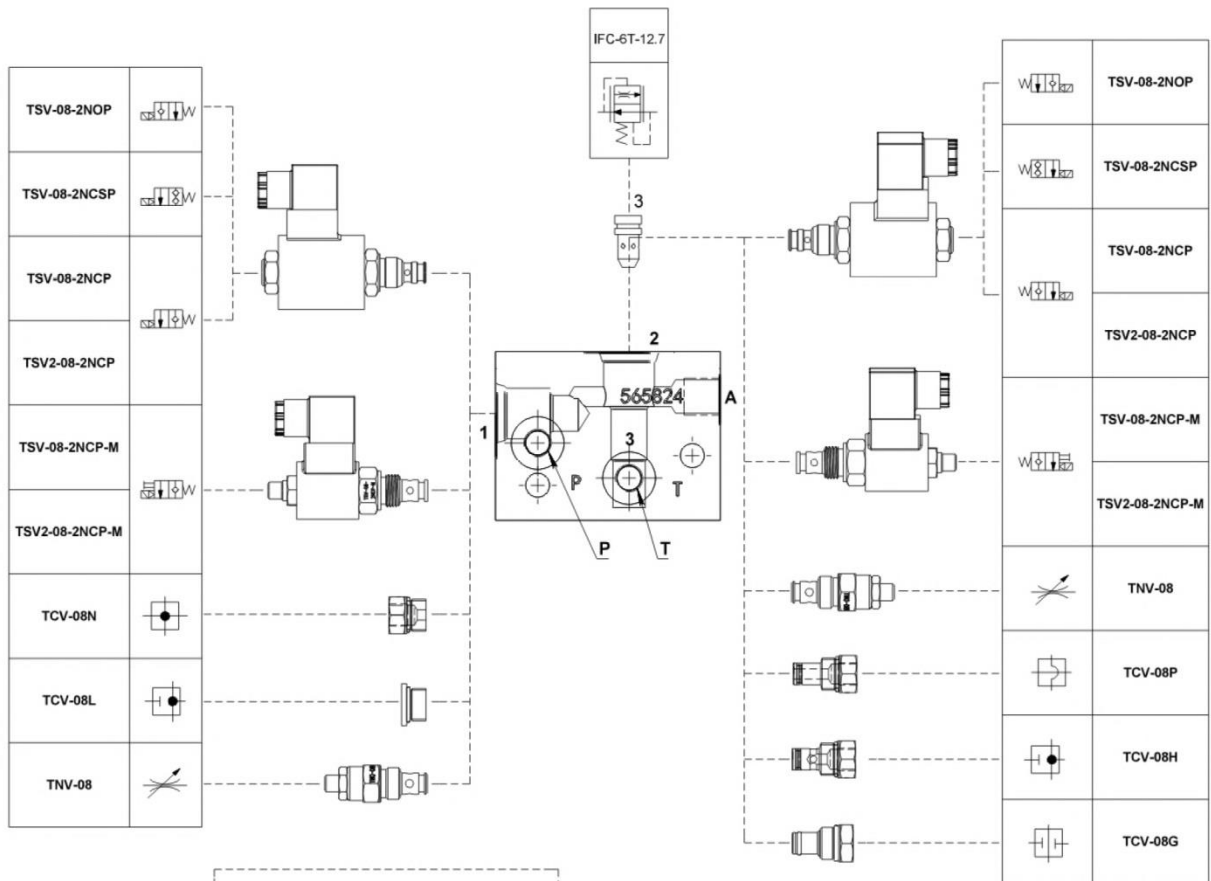
WEB: www.flowfitonline.com

Stacking Manifold Block

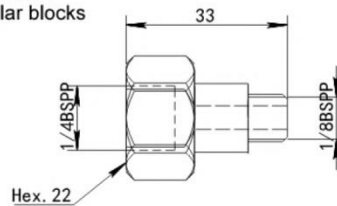


A Port: 1/4" BSPP
Other porting is available

Weight: 0.40kgs



Opting P port:
TCV-08-84
P port 1/4BSPP
for modular blocks



TEL: 01584 876 033
EMAIL: www.sales@flowfitonline.com

FAX: 01584 876 044
WEB: www.flowfitonline.com

Stacking Manifold Block Valves

ORDER CODE	DESCRIPTION	SYMBOL	DIMENSIONS
569061-A	Sandwich Type Pilot Operated Check Valves A Port		<p>6 x \varnothing 6</p> <p>A B</p> <p>45</p> <p>45</p> <p>80</p>
569061-B	Sandwich Type Pilot Operated Check Valves B Port		<p>6 x \varnothing 6</p> <p>A B</p> <p>45</p> <p>45</p> <p>80</p>
569061-W	Sandwich Type Pilot Operated Check Valves A B Ports		<p>6 x \varnothing 6</p> <p>A B</p> <p>45</p> <p>93.20</p> <p>Manifold: 569061</p> <p>Weight: 0.40kgs</p> <p>Dimensions in mm [inches]</p>
569062-A	A Side Sandwich Type Pilot Operated Check Valves With Lateral Ports		<p>4 x M5</p> <p>A B</p> <p>49</p> <p>49</p> <p>98</p>
569062-B	B Side Sandwich Type Pilot Operated Check Valves With Lateral Ports		<p>4 x M5</p> <p>A B</p> <p>49</p> <p>49</p> <p>98</p>
569062-W	A B Side Sandwich Type Pilot Operated Check Valves With Lateral Ports		<p>4 x M5</p> <p>A B</p> <p>49</p> <p>49</p> <p>117</p> <p>1/4BSPP</p> <p>1/4BSPP</p> <p>Manifold: 569062</p> <p>Weight: 0.45kgs</p> <p>Dimensions in mm [inches]</p>

TEL: 01584 876 033
 EMAIL: www.sales@flowfitonline.com

FAX: 01584 876 044
 WEB: www.flowfitonline.com

Stacking Manifold Block Valves

ORDER CODE	DESCRIPTION	SYMBOL	DIMENSIONS
569063-A	Sandwich Block with Flow Regulator Valve for NG6(CETOP3) Modular Valve		<p>Manifold: 569063 Weight: 0.40kgs Dimensions in mm [inches]</p>
569063-B			
569063-W			
569064-A	Sandwich Block with Relief Valve for NG6(CETOP3) Modular Valve		<p>Manifold: 569064 Weight: 0.45kgs Dimensions in mm [inches]</p>
569064-B			
569064-W			

TEL: 01584 876 033

EMAIL: www.sales@flowfitonline.com

FAX: 01584 876 044

WEB: www.flowfitonline.com

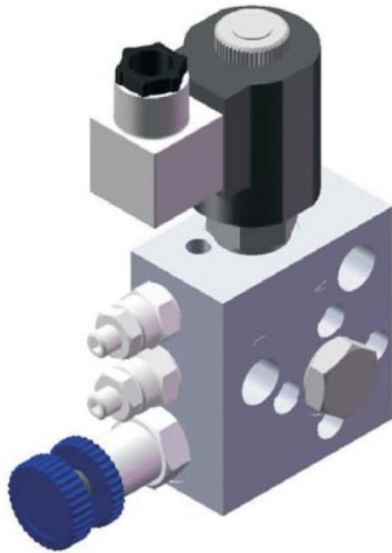
Manifold Block

ORDER CODE	DESCRIPTION 1	DESCRIPTION 2	DIMENSIONS
580082	In line assembly manifold for 2 way 3/4" - 16 UNF (SAE08) cartridge valves (1/4" BSP outlet ports)	A B Port:1/4"BSPP Other porting is available	<p>Dimensions in mm [inches] Weight: 0.17kgs</p>
580102	In line assembly manifold for 2 way 7/8" - 14 UNF (SAE10) cartridge valves (1/2" BSP outlet ports)	A B Port:1/2"BSPP Other porting is available	<p>Dimensions in mm [inches] Weight: 0.33kgs</p>
580122	In line assembly manifold for 2 way 1 1/16" - 12 UN (SAE12) cartridge valves (3/4" BSP outlet ports)	A B Port:3/4"BSPP Other porting is available	<p>Dimensions in mm [inches] Weight: 0.62kgs</p>
580162	In line assembly manifold for 2 way 1 5/16" - 12 UN (SAE16) cartridge valves (1" BSP outlet ports)	A B Port:1"BSPP Other porting is available	<p>Dimensions in mm [inches] Weight: 0.65kgs</p>

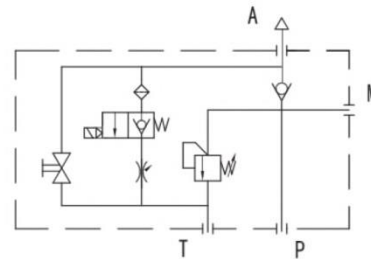
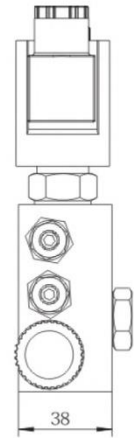
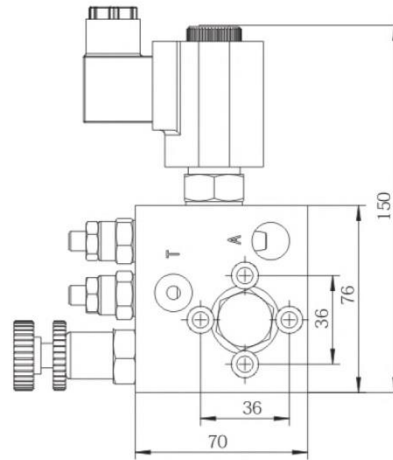
TEL: 01584 876 033
EMAIL: www.sales@flowfitonline.com

FAX: 01584 876 044
WEB: www.flowfitonline.com

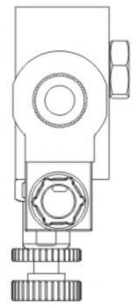
Hydraulic Lift Valve



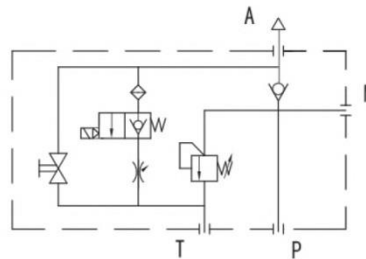
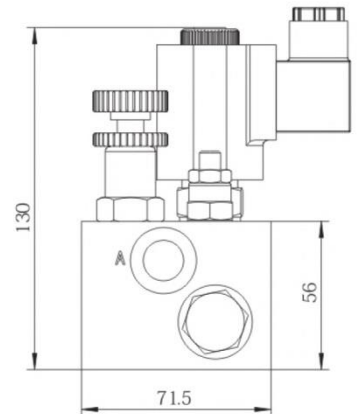
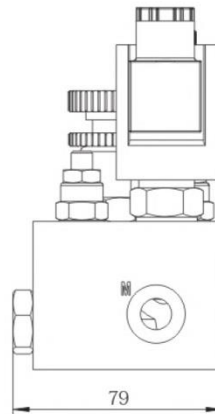
KVS-01



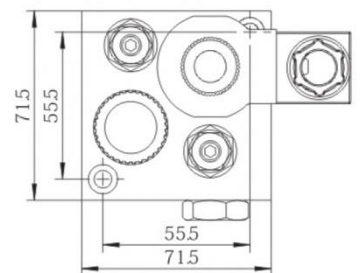
HYDRAULIC CIRCUIT



KVS-02

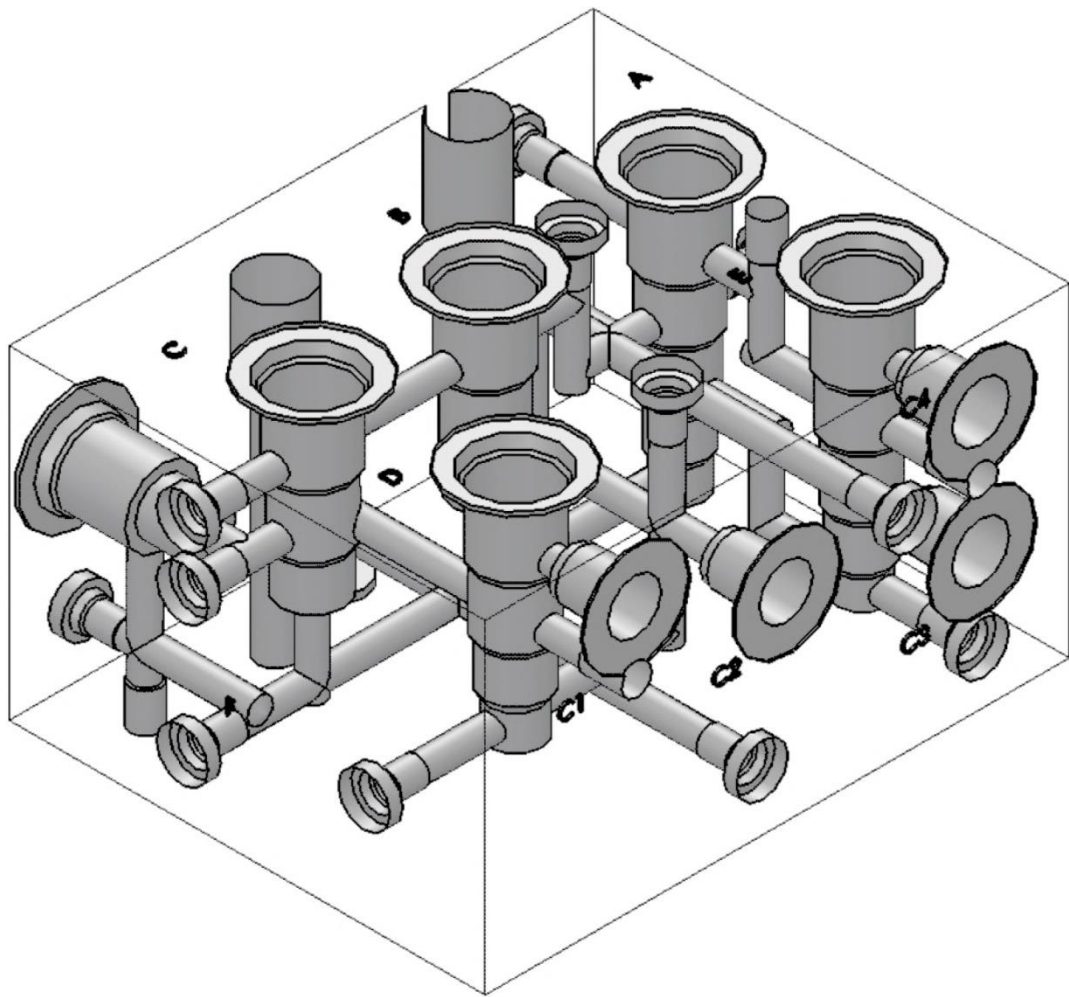


HYDRAULIC CIRCUIT



Central Manifold

Manifolds can be customized to meet unique application requirement



Material : Anodized 6061-T6 aluminum

Cavity : Industry Standard Common Cavity

TEL: 01584 876 033

EMAIL: www.sales@flowfitonline.com

FAX: 01584 876 044

WEB: www.flowfitonline.com

Cartridge Valve

Solenoid Valve						
Coil Voltage	DC12V	DC24V	DC48V	AC110V	AC220V	
Design						
Cavity	08 Size	Operating Pressure	207bar	Flow	30L/min	
	10 Size				60L/min	
SYMBOL						
CODE	DESCRIPTION	SYMBOL	DIMENSIONS			
TSV-08-2NCP	Normally-Closed Two-Way Two-Position Cartridge Solenoid Valve					
TSV-08-2NCP-M						
TSV2-08-2NCP						
TSV2-08-2NCP-M						
TSV-10-2NCP						
TSV-08-2NOP		Normally-Open Two-Way Two-Position Cartridge Solenoid Valve				
TSV-08-2NCSP		Normally-Closed Two-Way Two-Position Bi-Directional Cartridge Solenoid Valve				

TEL: 01584 876 033

EMAIL: www.sales@flowfitonline.com

FAX: 01584 876 044

WEB: www.flowfitonline.com

Cartridge Valve

CODE	DESCRIPTION	SYMBOL	DIMENSIONS
TSV-08-3B	Three-Way Two-Position Spool-Type Cartridge Solenoid Valve		
TSV-08-4CO	Four-Way Two-Position Spool-Type Cartridge Solenoid Valve		
TCV-08	Direct-Acting Poppet-Type Cartridge Check Valve		
TCV2-08	Direct-Acting Ball-Type Cartridge Check Valve		
TRV-08-5	Adjustable Direct-Acting Cartridge Relief Valve		
TRV-08-16			
TRV-08-25			
TRV-SAE8			
TRV2-08			
TRV3-08			
TADRV2-08			

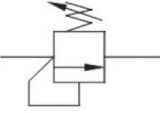
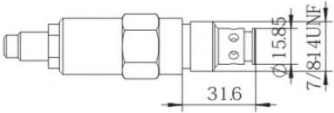
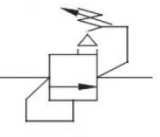
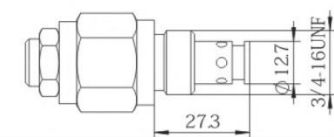
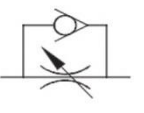
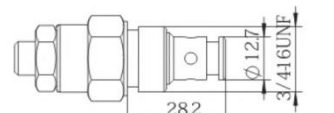
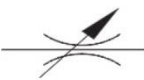
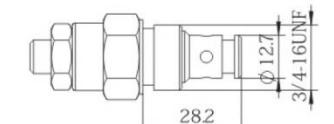
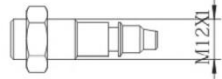
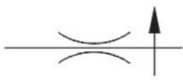
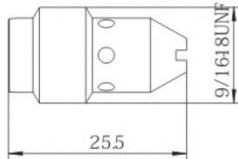
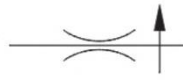
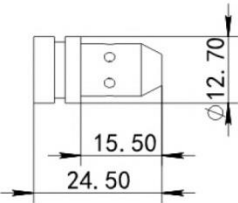
TEL: 01584 876 033

EMAIL: www.sales@flowfitonline.com

FAX: 01584 876 044

WEB: www.flowfitonline.com

Cartridge Valve

CODE	DESCRIPTION	SYMBOL	DIMENSIONS
TADRV2-10	Adjustable Direct Acting Cartridge Relief Valve		
TPSRV-08	Adjustable Pilot-Operated Cartridge Relief Valve		
TFC-08	Adjustable Cartridge One-Way Flow Control Valve		
TNV-08	Flow Control Valve		
TV-M12X1			
IFC-6T	Regulator Pressure -Compensated Flow Control Valve in-line 1L/min 2L/min 3L/min 4L/min 5L/min 6L/min 7L/min 8L/min 9L/min 10L/min		
IFC-6T-12.7	Regulator Pressure -Compensated Flow Control Valve in-line 1L/min 2L/min 3L/min 4L/min 5L/min 6L/min 7L/min 8L/min 9L/min 10L/min		

TEL: 01584 876 033

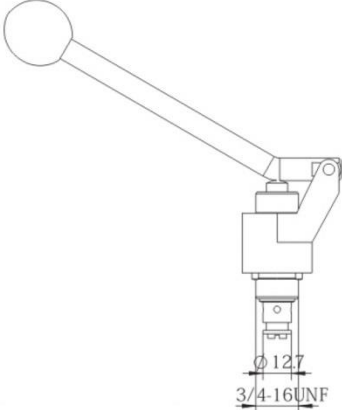
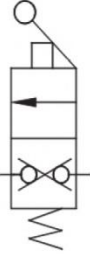
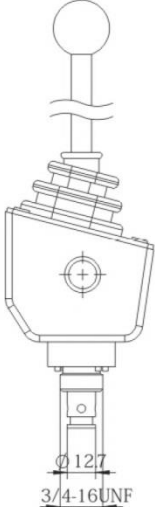
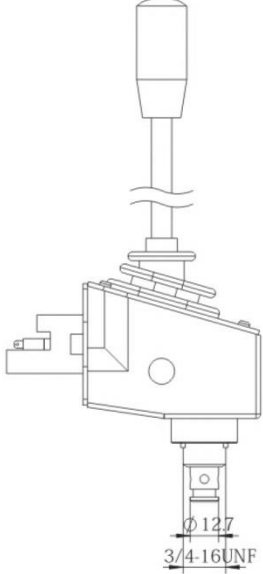
EMAIL: www.sales@flowfitonline.com

FAX: 01584 876 044

WEB: www.flowfitonline.com

	<p>Hydraulic symbol</p>	<p>Model</p> <p>TCV-08G</p>
	<p>Hydraulic symbol</p>	<p>Model</p> <p>TCV-08H</p>
	<p>Hydraulic symbol</p>	<p>Model</p> <p>TCV-08P</p>
	<p>Hydraulic symbol</p>	<p>Model</p> <p>TCV-08L</p>
	<p>Hydraulic symbol</p>	<p>Model</p> <p>TCV-08N</p>
	<p>Hydraulic symbol</p>	<p>Model</p> <p>TCV-08XP</p>
	<p>Hydraulic symbol</p>	<p>Model</p> <p>TCV-M20G</p>
	<p>Hydraulic symbol</p>	<p>Model</p> <p>TCV-08-4-G</p>

Cartridge Valve

CODE	DESCRIPTION	SYMBOL	DIMENSIONS
TMRV-08			
TMRV2-08	Manua Unloading Valve With Microswitch		
TMRV3-08			

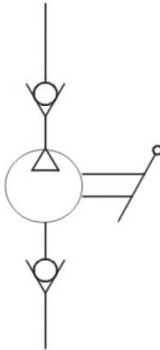
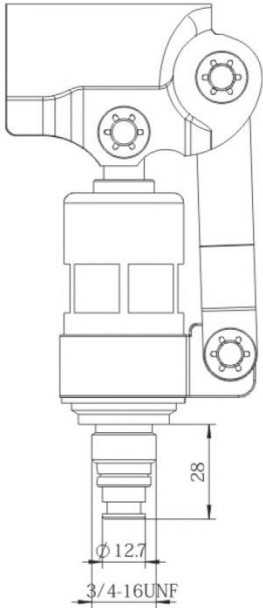
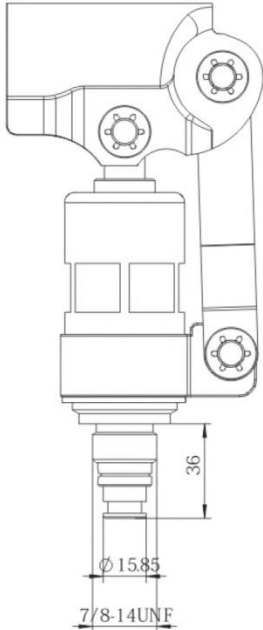
TEL: 01584 876 033

EMAIL: www.sales@flowfitonline.com

FAX: 01584 876 044

WEB: www.flowfitonline.com

Cartridge Hand Pump

CODE	DESCRIPTION	SYMBOL	DIMENSIONS
THP -08	Hand Pump 7cc/stroke		
THP -10	Hand Pump 9cc/stroke		

Stacked Valve

Solenoid Valve					
Coil Voltage	DC12V	DC24V	DC48V	AC110V	AC220V
Design					
CODE	DSG-02-*	Operating Pressure	315bar	Flow	60L/min
SYMBOL			DIMENSIONS: 		
CODE	DESCRIPTION	SYMBOL	DIMENSIONS		
MTC-02W	Stacked Unidirectional Throttle Valve				
Z2FS6					
Z2S6	Modular Pilot Operated Check Valve				


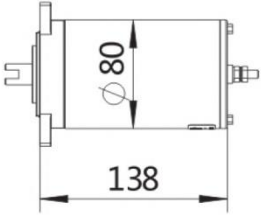
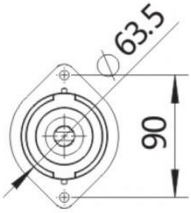

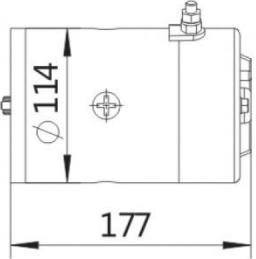
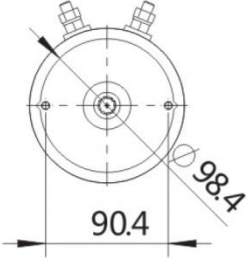
TEL: 01584 876 033

EMAIL: www.sales@flowfitonline.com

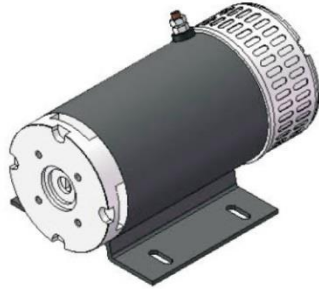
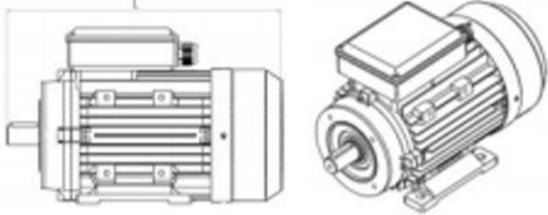
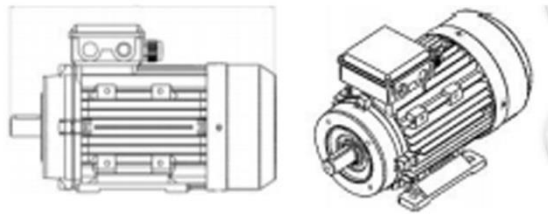
FAX: 01584 876 044

WEB: www.flowfitonline.com

Motor

DIMENSIONS	DESCRIPTION								
 <table border="1" data-bbox="576 533 836 645"> <thead> <tr> <th>POWER</th> <th>CODE</th> </tr> </thead> <tbody> <tr> <td>0.5KW</td> <td>DM01</td> </tr> <tr> <td>0.8KW</td> <td>DM02</td> </tr> </tbody> </table>  	POWER	CODE	0.5KW	DM01	0.8KW	DM02	<p>VOLTAGE : DC12V/DC24V</p> <p>POWER:0.5KW,0.8KW</p> <p>SPEED:3000rpm</p> <p>MOTOR ROTATION: CW</p> <p>DUTY:S3</p> <p>INGRESS PROTECTION:IP54</p>		
POWER	CODE								
0.5KW	DM01								
0.8KW	DM02								
 <table border="1" data-bbox="584 1317 844 1462"> <thead> <tr> <th>POWER</th> <th>CODE</th> </tr> </thead> <tbody> <tr> <td>1.6KW</td> <td>DM03</td> </tr> <tr> <td>2.0KW</td> <td>DM04</td> </tr> <tr> <td>2.5KW</td> <td>DM05</td> </tr> </tbody> </table>  	POWER	CODE	1.6KW	DM03	2.0KW	DM04	2.5KW	DM05	<p>VOLTAGE:DC12V/DC24V</p> <p>POWER:1.6KW,2.0KW,2.5KW</p> <p>SPEED:3000rpm</p> <p>MOTOR ROTATION: CW</p> <p>DUTY:S3</p> <p>INGRESS PROTECTION:IP54</p>
POWER	CODE								
1.6KW	DM03								
2.0KW	DM04								
2.5KW	DM05								

Motor

DIMENSIONS	DESCRIPTION												
 <table border="1" data-bbox="587 456 839 528"> <thead> <tr> <th>POWER</th> <th>CODE</th> </tr> </thead> <tbody> <tr> <td>3.0KW</td> <td>DM06</td> </tr> </tbody> </table>	POWER	CODE	3.0KW	DM06	<p>VOLTAGE:DC24V</p> <p>POWER:3.0KW</p> <p>SPEED:3000rpm</p> <p>MOTOR ROTATION: CW</p> <p>DUTY:S3</p> <p>INGRESS PROTECTION:IP5</p>								
POWER	CODE												
3.0KW	DM06												
<table border="1" data-bbox="587 909 839 1122"> <thead> <tr> <th>POWER</th> <th>CODE</th> </tr> </thead> <tbody> <tr> <td>0.75KW</td> <td>AM01</td> </tr> <tr> <td>1.1KW</td> <td>AM02</td> </tr> <tr> <td>1.5KW</td> <td>AM03</td> </tr> <tr> <td>2.2KW</td> <td>AM04</td> </tr> <tr> <td>3.0KW</td> <td>AM05</td> </tr> </tbody> </table> 	POWER	CODE	0.75KW	AM01	1.1KW	AM02	1.5KW	AM03	2.2KW	AM04	3.0KW	AM05	<p>VOLTAGE : AC220V/AC230V</p> <p>POWER:0.75KW,1.1KW,1.5KW, 2.2KW,3.0KW</p> <p>POLE NO: 2 , 4</p> <p>FREQUENCY:50HZ</p> <p><i>Capacitor start/run motors have a high starting torque.</i></p> <p><i>All motors are aluminium body with a multi-mount feet. Insulation Class F, IP55 protection.</i></p>
POWER	CODE												
0.75KW	AM01												
1.1KW	AM02												
1.5KW	AM03												
2.2KW	AM04												
3.0KW	AM05												
<table border="1" data-bbox="587 1469 839 1682"> <thead> <tr> <th>POWER</th> <th>CODE</th> </tr> </thead> <tbody> <tr> <td>0.75KW</td> <td>AM01</td> </tr> <tr> <td>1.1KW</td> <td>AM02</td> </tr> <tr> <td>1.5KW</td> <td>AM03</td> </tr> <tr> <td>2.2KW</td> <td>AM04</td> </tr> <tr> <td>3.0KW</td> <td>AM05</td> </tr> </tbody> </table> 	POWER	CODE	0.75KW	AM01	1.1KW	AM02	1.5KW	AM03	2.2KW	AM04	3.0KW	AM05	<p>VOLTAGE : AC380V/AC415V/440V</p> <p>POWER:0.75KW,1.1KW,1.5KW, 2.2KW,3.0KW</p> <p>POLE NO: 2 4</p> <p>FREQUENCY:50HZ</p> <p><i>S1 Continuous Duty S1. Thermistors PTC.</i></p> <p><i>All motors are aluminium body with a multi-mount feet. Insulation Class F, IP55 protection.</i></p>
POWER	CODE												
0.75KW	AM01												
1.1KW	AM02												
1.5KW	AM03												
2.2KW	AM04												
3.0KW	AM05												

TEL: 01584 876 033

EMAIL: www.sales@flowfitonline.com

FAX: 01584 876 044

WEB: www.flowfitonline.com

Tank

ORDER CODE	Model	ϕ D(mm)	L(mm)	Volume(L)	Description
420015	PT-120-1.5L	120	140	1.5	1.Surface Color: White 2."H"Type:Horizontal "V"Type:Vertical 3.Air Breather And Plug Include
420025	PT-120-2.5L	120	210	2.5	
420038	PT-120-3.8L	120	285	3.8	
423015	PT-123-1.5L	123	140	1.5	
423025	PT-123-2.5L	123	210	2.5	
423038	PT-123-3.8L	123	285	3.8	

ORDER CODE	Model	ϕ D(mm)	L(mm)	Volume(L)	Description
420040	PT-120-4L	120	200	4	1.Surface Color: White 2."H"Type:Horizontal "V"Type:Vertical 3.Air Breather And Plug Include
420050	PT-120-5L	120	260	5	
420070	PT-120-7L	120	290	7	
420080	PT-120-8L	120	335	8	
420110	PT-120-11L	120	440	11	
420130	PT-120-13L	120	550	13	
420180	PT-120-18L	120	700	18	
420240	PT-120-24L	120	1050	24	
423040	PT-123-4L	123	200	4	
423050	PT-123-5L	123	260	5	
423070	PT-123-7L	123	290	7	
423080	PT-123-8L	123	335	8	
423110	PT-123-11L	123	440	11	
423130	PT-123-13L	123	550	13	
423180	PT-123-18L	123	700	18	
423240	PT-123-24L	123	1050	24	

TEL: 01584 876 033
 EMAIL: www.sales@flowfitonline.com

FAX: 01584 876 044
 WEB: www.flowfitonline.com

Tank

Steel Oil Tank					
Order Code	Model	φD(mm)	L(mm)	Volume(L)	Description
329406-S	ST-94-0.6L	94	150	0.6	<ol style="list-style-type: none"> 1. Surface Color Optional: Black Other Colors Can Be Customized 2. "H"Type:Horizontal 3. Air Breather And Plug Include
329412-S	ST-94-1.2L	94	197	1.2	
329420-S	ST-94-2.0L	94	330	2.0	
329425-S	ST-94-2.5L	94	400	2.5	
Steel Oil Tank					
Order Code	Model	φD(mm)	L(mm)	Volume(L)	Description
320040	ST-120-4L	120	225	4	<ol style="list-style-type: none"> 1.Surface Color Optional:Black Other Colors Can Be Customized 2."H"Type: Horizontal "V"Type: Vertical 3.Air Breather And Plug Include
320050	ST-120-5L	120	265	5	
320060	ST-120-6L	120	290	6	
320080	ST-120-8L	120	365	8	
320100	ST-120-10L	120	435	10	
320120	ST-120-12L	120	545	12	
320150	ST-120-15L	120	650	15	
323040	ST-123-4L	123	225	4	
323050	ST-123-5L	123	265	5	
323060	ST-123-6L	123	290	6	
323080	ST-123-8L	123	365	8	
323100	ST-123-10L	123	435	10	
323120	ST-123-12L	123	545	12	
323150	ST-120-15L	123	650	15	

TEL: 01584 876 033

EMAIL: www.sales@flowfitonline.com

FAX: 01584 876 044

WEB: www.flowfitonline.com

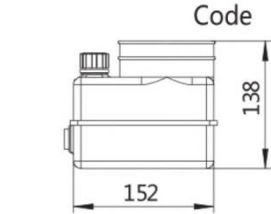
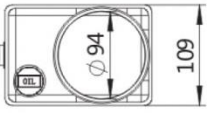
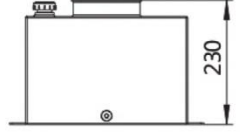

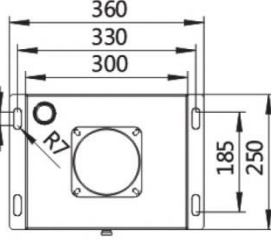
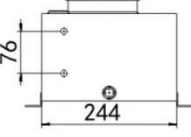
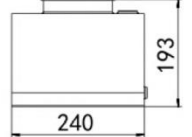
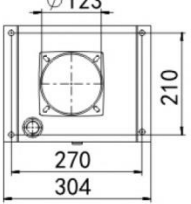
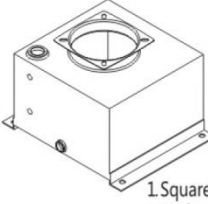
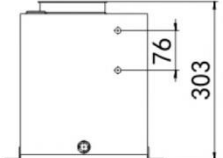
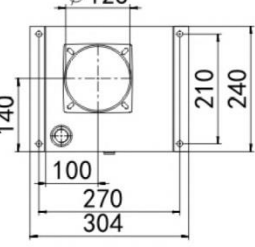
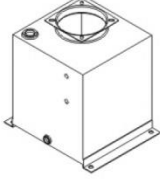
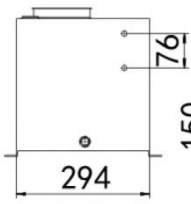
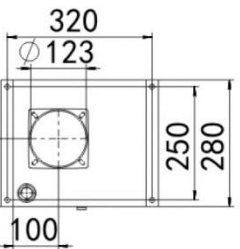
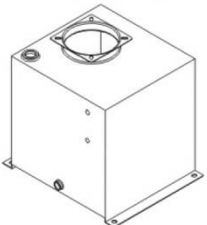
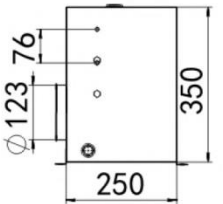
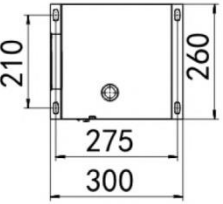
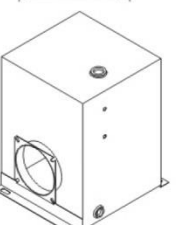
Tank

Steel Oil Tank					
Order Code	Model	ØD(mm)	L(mm)	Volume(L)	Description
320015-S	ST-120-1.5	120	155	1.5	1.Surface Color Optional: Black Other Colors Can Be Customized 2."H"Type: Horizontal "V"Type: Vertical 3.Air Breather And Plug Include
320025-S	ST-120-2.5	120	230	2.5	
323015-S	ST-123-1.5	123	155	1.5	
323025-S	ST-123-2.5	123	230	2.5	
Steel Oil Tank					
Order Code	Model	ØD(mm)	L(mm)	Volume(L)	Description
320030-S	ST-120-3S*	120	150	3	1.Surface Color Optional:Black Other Colors Can Be Customized 2."H"Type: Horizontal "V"Type: Vertical 3.Air Breather And Plug Include
320050-S	ST-120-5S*	120	210	5	
320080-S	ST-120-8S*	120	300	8	
320100-S	ST-120-10S*	120	375	10	
320120-S	ST-120-12S*	120	440	12	
320150-S	ST-120-15S*	120	535	15	
323030-S	ST-123-3S*	123	150	3	
323050-S	ST-123-5S*	123	210	5	
323080-S	ST-123-8S*	123	300	8	
323100-S	ST-123-10S*	123	375	10	
323120-S	ST-123-12S*	123	440	12	
323150-S	ST-123-15S*	123	535	15	

TEL: 01584 876 033
 EMAIL: www.sales@flowfitonline.com

FAX: 01584 876 044
 WEB: www.flowfitonline.com

Tank

<table border="1"> <tr> <td>Code</td> <td>PT-94-1</td> </tr> <tr> <td>Volume</td> <td>1L</td> </tr> </table>	Code	PT-94-1	Volume	1L	 <p>Code</p>  <ol style="list-style-type: none"> 1. Plastic Oil Tank 2. Surface Color White 3. "H" Type Horizontal "V" Type Vertical 	<table border="1"> <tr> <td>Code</td> <td>SST-120-10V</td> </tr> <tr> <td>Volume</td> <td>10L</td> </tr> </table>	Code	SST-120-10V	Volume	10L	   <ol style="list-style-type: none"> 1. Square Steel Tank 2. Surface Color Optional Red and Black 3. "V" Type Vertical 4. 123mm Neck Size Available
Code	PT-94-1										
Volume	1L										
Code	SST-120-10V										
Volume	10L										
<table border="1"> <tr> <td>Code</td> <td>SST-123-7LCV</td> </tr> <tr> <td>Volume</td> <td>7L</td> </tr> </table>	Code	SST-123-7LCV	Volume	7L	    <ol style="list-style-type: none"> 1. Square Steel Tank 2. Surface Color Optional Red and Black 3. "V" Type Vertical 	<table border="1"> <tr> <td>Code</td> <td>SST-123-15LCV</td> </tr> <tr> <td>Volume</td> <td>15L</td> </tr> </table>	Code	SST-123-15LCV	Volume	15L	   <ol style="list-style-type: none"> 1. Square Steel Tank 2. Surface Color Optional Red and Black 3. "V" Type Vertical
Code	SST-123-7LCV										
Volume	7L										
Code	SST-123-15LCV										
Volume	15L										
<table border="1"> <tr> <td>Code</td> <td>SST-123-20LCV</td> </tr> <tr> <td>Volume</td> <td>20L</td> </tr> </table>	Code	SST-123-20LCV	Volume	20L	   <ol style="list-style-type: none"> 1. Square Steel Tank 2. Surface Color Optional Red and Black 3. "V" Type Vertical 	<table border="1"> <tr> <td>Code</td> <td>SST-123-24EH</td> </tr> <tr> <td>Volume</td> <td>24L</td> </tr> </table>	Code	SST-123-24EH	Volume	24L	   <ol style="list-style-type: none"> 1. Square Steel Tank 2. Surface Color Optional Red and Black 3. "V" Type Vertical
Code	SST-123-20LCV										
Volume	20L										
Code	SST-123-24EH										
Volume	24L										

TEL: 01584 876 033

EMAIL: www.sales@flowfitonline.com

FAX: 01584 876 044

WEB: www.flowfitonline.com

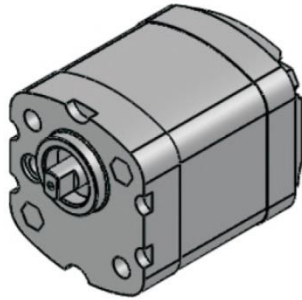
Tank

Code	SST-123-30EH	Code	SST-120-12LH															
Volume	30L	Volume	12L															
<p>1. Square Steel Tank 2. Surface Color Optional Red and Black 3. "V" Type Vertical</p>		<p>1. Square Steel Tank 2. Surface Color Optional Red and Black 3. "V" Type Vertical</p>																
Code	SST-120-17LH	Code	SST-120-25LH															
Volume	17L	Volume	25L															
<p>1. Square Steel Tank 2. Surface Color Optional Red and Black 3. "V" Type Vertical</p>		<p>1. Square Steel Tank 2. Surface Color Optional Red and Black 3. "V" Type Vertical</p>																
Code	SST-120-25LH																	
Volume	25L																	
<p>1. Square Steel Tank 2. Surface Color Optional Red and Black 3. "V" Type Vertical</p>		<p>1. Square Steel Tank 2. Surface Color Optional Red and Black 3. "V" Type Vertical</p>																
		<table border="1"> <thead> <tr> <th>CODE</th> <th>Description</th> <th>Assembly code</th> <th>L (mm)</th> <th>B (mm)</th> </tr> </thead> <tbody> <tr> <td>SST-123-10LC</td> <td>10L square horiz./vert mounting</td> <td>10LC/10L CV</td> <td>330</td> <td>185</td> </tr> <tr> <td>SST-123-22LC</td> <td>22L square horiz./vert mounting</td> <td>22LC/22L CV</td> <td>470</td> <td>223</td> </tr> </tbody> </table>		CODE	Description	Assembly code	L (mm)	B (mm)	SST-123-10LC	10L square horiz./vert mounting	10LC/10L CV	330	185	SST-123-22LC	22L square horiz./vert mounting	22LC/22L CV	470	223
CODE	Description	Assembly code	L (mm)	B (mm)														
SST-123-10LC	10L square horiz./vert mounting	10LC/10L CV	330	185														
SST-123-22LC	22L square horiz./vert mounting	22LC/22L CV	470	223														

TEL: 01584 876 033
EMAIL: www.sales@flowfitonline.com

FAX: 01584 876 044
WEB: www.flowfitonline.com

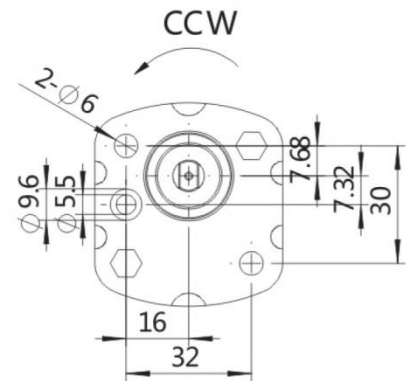
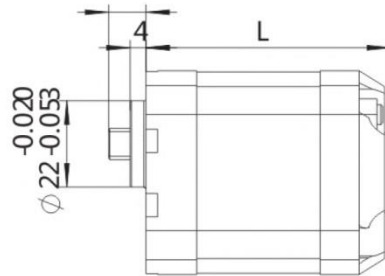
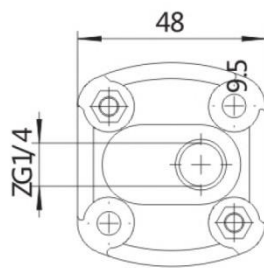
Gear Pump Group 0.5



To mount the pump, n.2M5 screws, with a torque wrench setting fixed $5.4 \pm 0.5 \text{ NM}$

INLET

OUTLET



TYPE	DISPLACEMENT (cc/r)	MAX PRESSURE (bar)			MAX.SPEED (r/min)	MIN.SPEED (r/min)	LENGTH (mm)
		P1	P2	P3			
GP-F100.19	0.19	200	230	250	7000	1000	60
GP-F100.26	0.26	200	230	250	7000	1000	60.5
GP-F100.38	0.38	200	230	250	7000	1000	61.5
GP-F100.50	0.50	200	230	250	7000	1000	62.5
GP-F100.65	0.65	200	230	250	7000	1000	63.5
GP-F100.75	0.75	200	230	250	7000	1000	64.5
GP-F100.88	0.88	200	230	250	7000	1000	65.5
GP-F101.00	1.00	200	230	250	6000	850	66.5
GP-F101.25	1.25	200	230	250	5000	700	68.5
GP-F101.50	1.50	200	230	250	4000	600	70.5
GP-F101.75	1.75	180	210	230	4000	600	72.5
GP-F102.00	2.00	160	190	210	3000	500	74.5

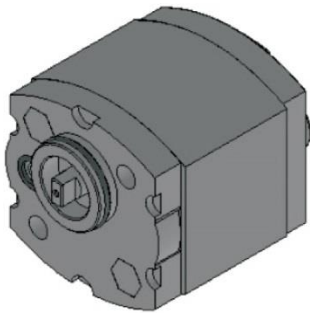
TEL: 01584 876 033

EMAIL: www.sales@flowfitonline.com

FAX: 01584 876 044

WEB: www.flowfitonline.com

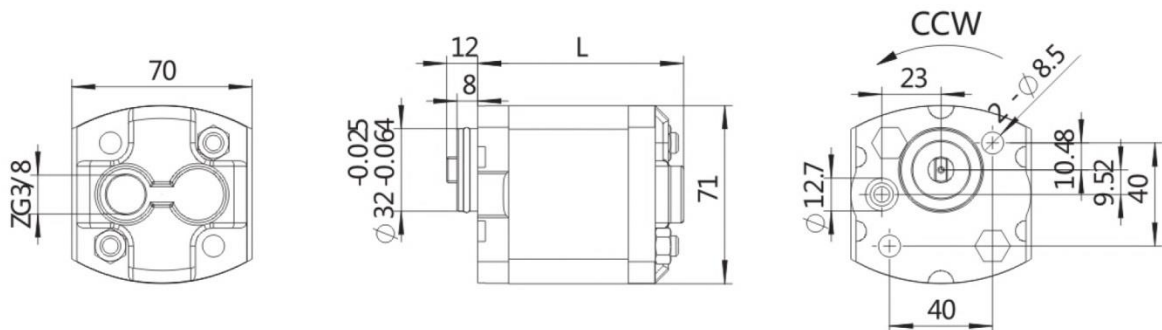
Gear Pump Group 1.0



To mount the pump, n.2M8 screws, with a torque wrench setting fixed $27 \pm 3\text{NM}$

INLET

OUTLET



TYPE	DISPLACEMENT (cc/r)	MAX PRESSURE (bar)			MAX.SPEED (r/min)	MIN.SPEED (r/min)	LENGTH (mm)
		P1	P2	P3			
GP-F200.75	0.75	230	250	270	6000	1000	73.5
GP-F201.1	1.1	230	250	270	6000	1000	75.5
GP-F201.3	1.3	230	250	270	6000	1000	76.5
GP-F201.6	1.6	230	250	270	6000	1000	77.5
GP-F202.1	2.1	230	250	270	6000	1000	80
GP-F202.6	2.6	230	250	270	6000	800	82
GP-F203.2	3.2	210	230	250	5000	800	85
GP-F203.7	3.7	210	230	250	4500	800	87.5
GP-F204.2	4.2	210	230	250	4000	800	90
GP-F204.8	4.8	190	210	230	3500	600	92.5
GP-F205.8	5.8	190	210	230	3000	600	97
GP-F207.0	7.0	160	180	200	2500	500	105
GP-F208.0	8.0	160	180	200	2100	500	109.5


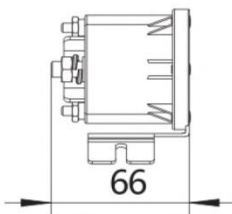
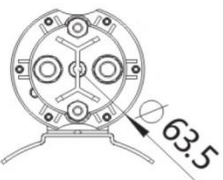
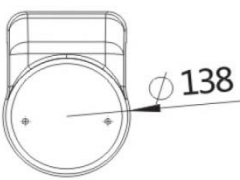
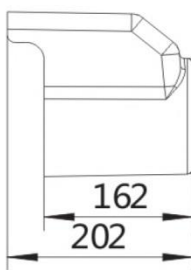
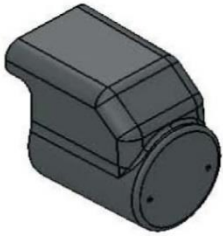
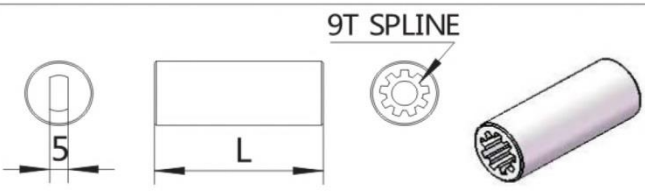
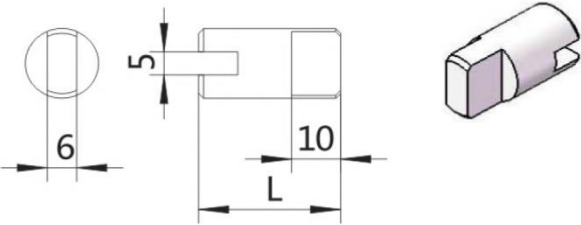
TEL: 01584 876 033

EMAIL: www.sales@flowfitonline.com

FAX: 01584 876 044

WEB: www.flowfitonline.com

Accessories

DCMotor-Start Switch				
CODE	VOLTAGE	WORKING CURRENT	DIMENSIONS	
DC1261	DC12V	150A	  	
DC2461	DC24V	150A		
DCMotor—Protection Cover				
CODE	MC002			
Coupling				
CODE	C46	C57		
LENGTH	46mm	57mm		
Custom Coupling				
CODE	360029	360033		
LENGTH	29mm	33mm		
Other coupling is available				

TEL: 01584 876 033

EMAIL: www.sales@flowfitonline.com

FAX: 01584 876 044

WEB: www.flowfitonline.com

Accessories

Suction Pipe			
CODE	ZG38-90	CODE	ZG38-14-90
NOTE	Steel	NOTE	Steel
CODE	LENGTH	PSP-160	160mm
PSP-40	40mm	PSP-200	200mm
PSP-80	80mm	PSP-240	240mm
PSP-100	100mm	PSP-315	315mm
PSP-145	145mm	PSP-400	400mm
		1. Plastic Suction Pipe 2. Other length is available	
Filter			
CODE		CODE	
F43		F65	
Return Pipe			
CODE	LENGTH		
RP-G14-120	120mm		
RP-G14-180	180mm		
RP-G14-280	280mm		
RP-G14-320	320mm		
		1. Plastic Return Pipe 2. Other length is available	

TEL: 01584 876 033

EMAIL: www.sales@flowfitonline.com

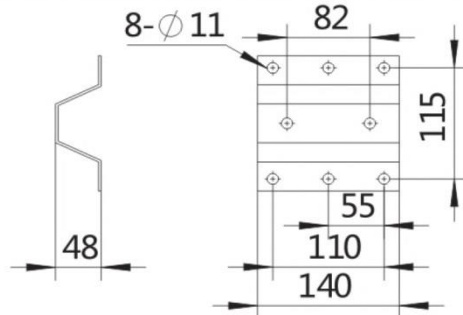
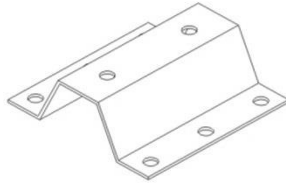
FAX: 01584 876 044

WEB: www.flowfitonline.com

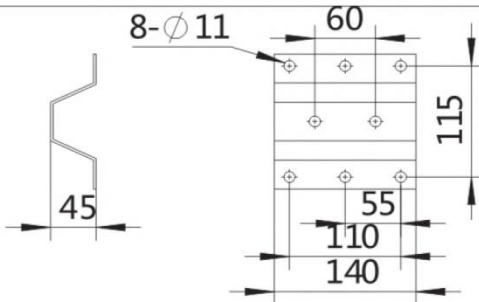
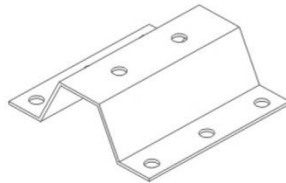
Accessories

Mounting Bracket

CODE
TGT-M82-48



CODE
TGT-M60

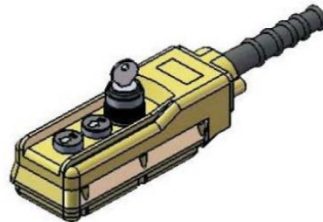


Button Remote Pendant

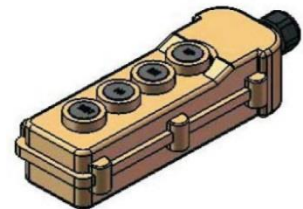
CODE
BRP02



CODE
LBRP03

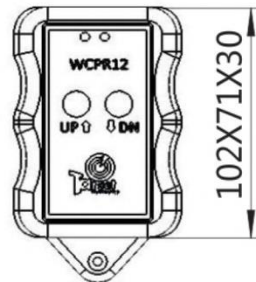


CODE
BRP04



Wireless Remote Control Pendant

CODE
WRCP12



Control Power Unit
100 Meters Away

TEL: 01584 876 033

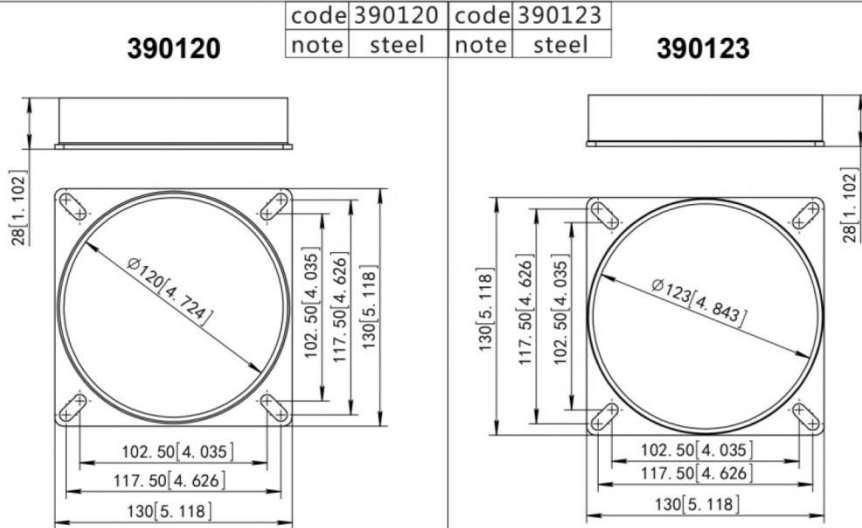
EMAIL: www.sales@flowfitonline.com

FAX: 01584 876 044

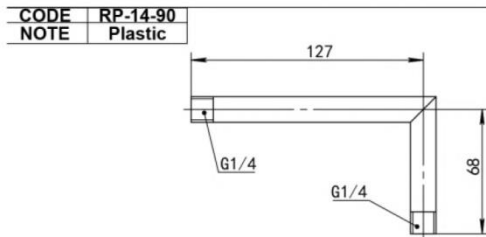
WEB: www.flowfitonline.com

Accessories

Steel Tank Neck



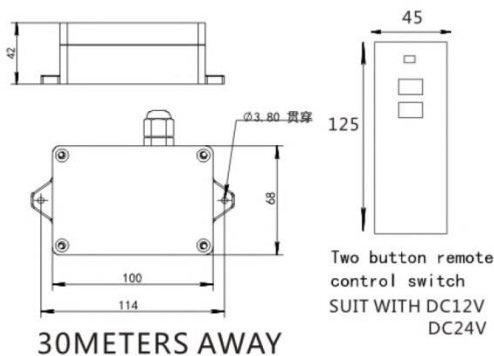
Return pipe



Wireless Remote Control Pendant

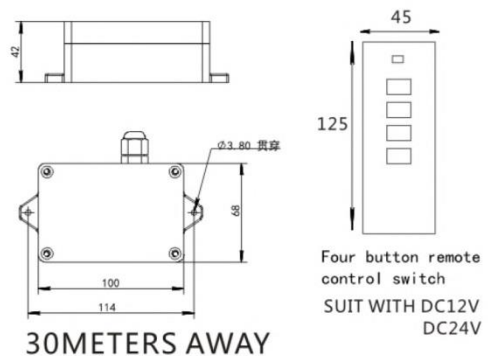
Single / double action wireless remote control

CODE : WRCP-2



2 x double action wireless remote control

CODE : WRCP-4



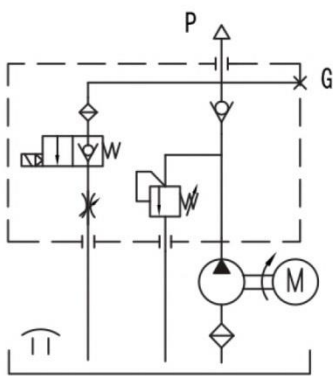
TEL: 01584 876 033

EMAIL: www.sales@flowfitonline.com

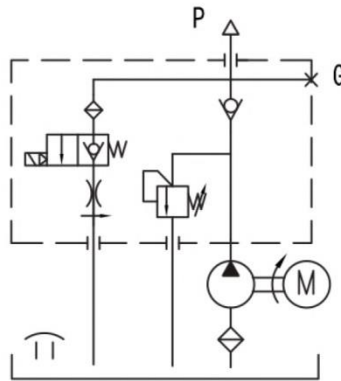
FAX: 01584 876 044

WEB: www.flowfitonline.com

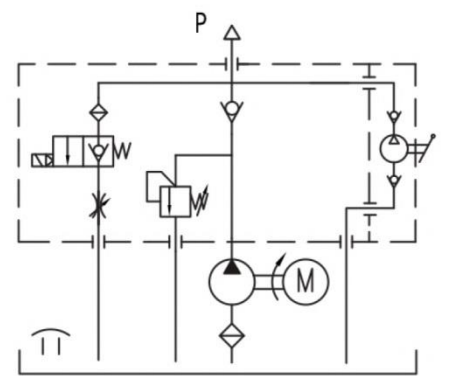
Hydraulic Circuit



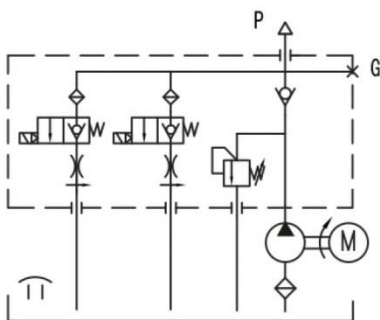
101



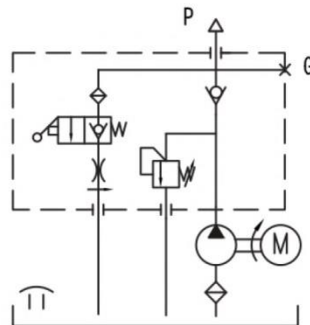
102



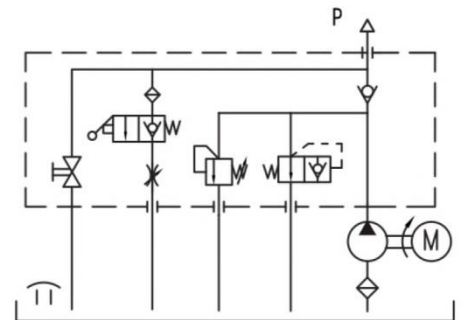
103



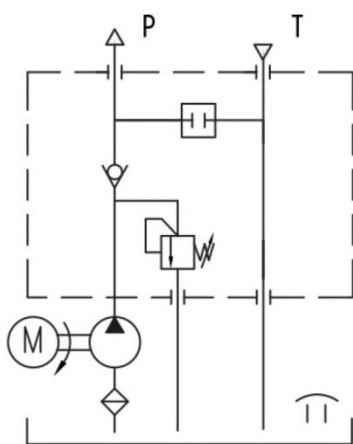
104



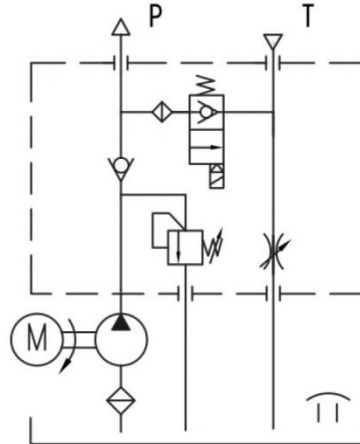
105



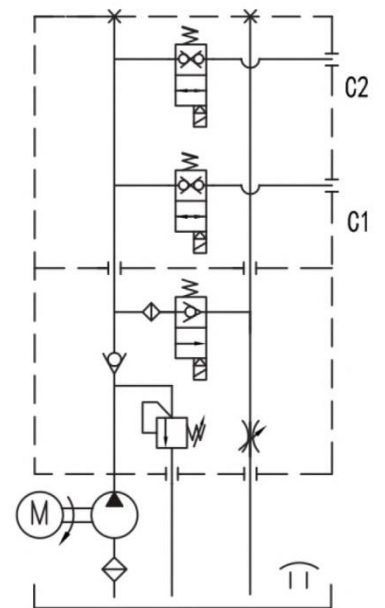
106



107



108



109

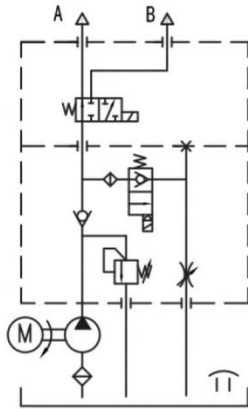
TEL: 01584 876 033

EMAIL: www.sales@flowfitonline.com

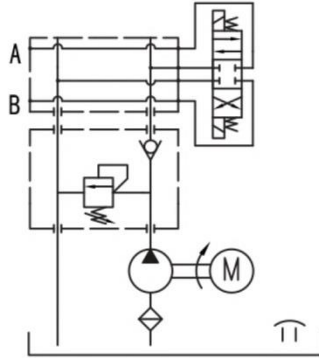
FAX: 01584 876 044

WEB: www.flowfitonline.com

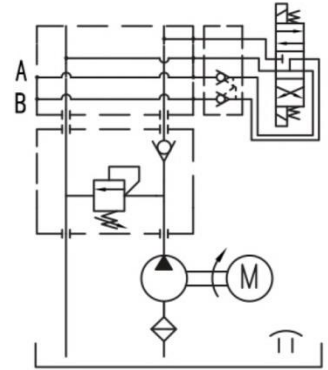
Hydraulic Circuit



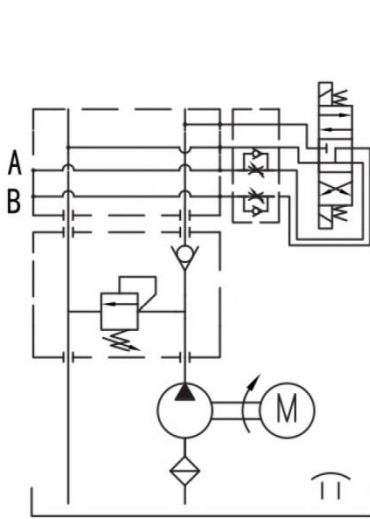
110



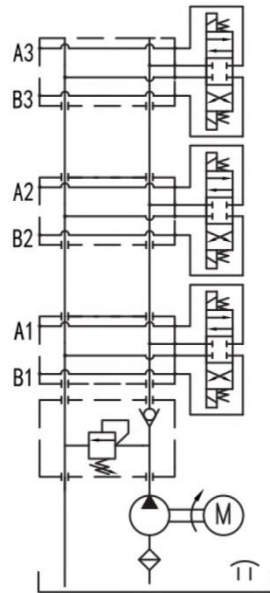
111



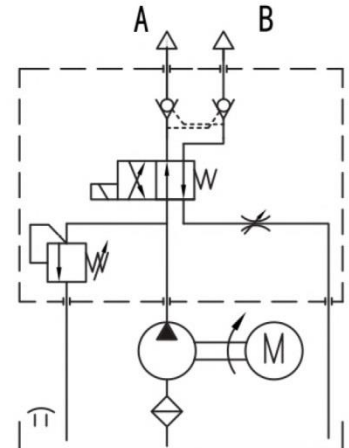
112



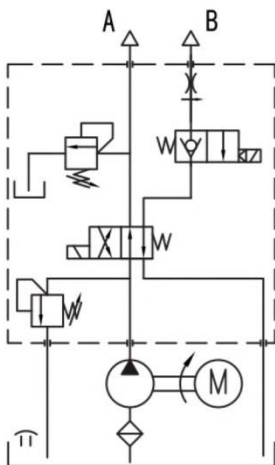
113



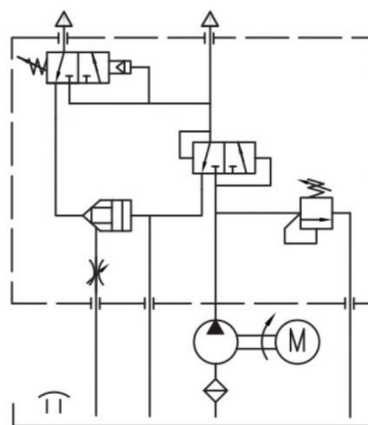
114



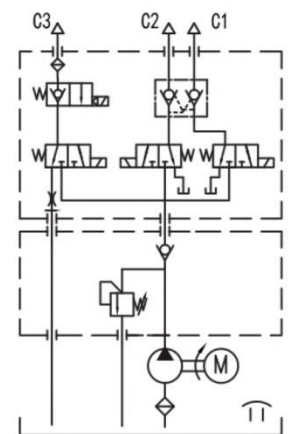
115



116



117



118

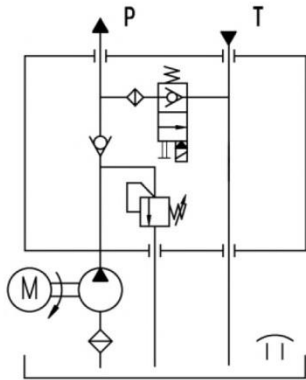
TEL: 01584 876 033

EMAIL: www.sales@flowfitonline.com

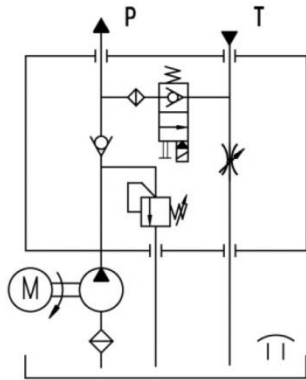
FAX: 01584 876 044

WEB: www.flowfitonline.com

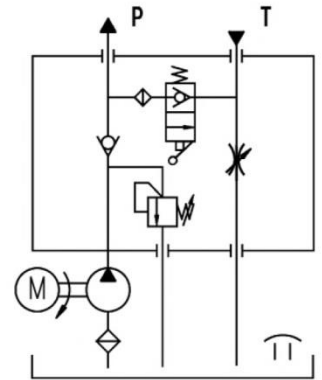
Hydraulic Circuit



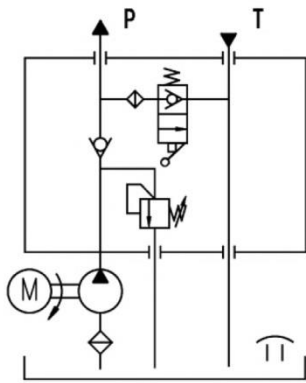
108-A



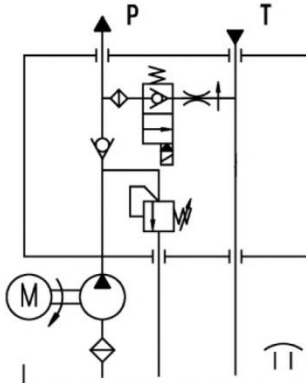
108-B



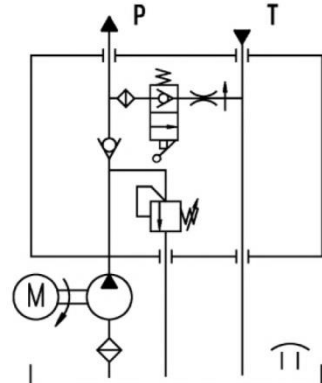
108-C



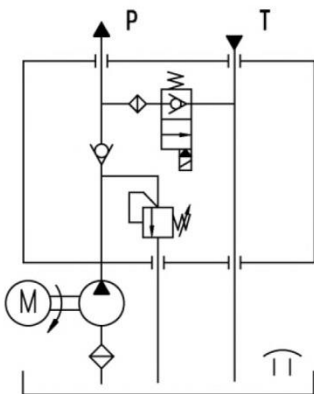
108-D



108-E



108-F



108-G

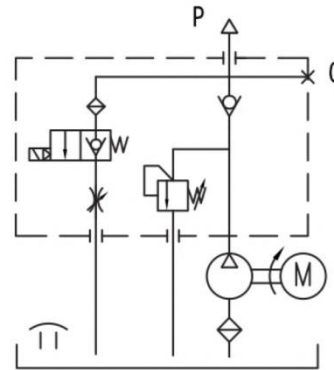
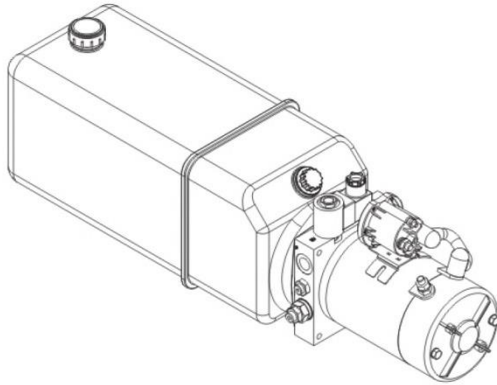
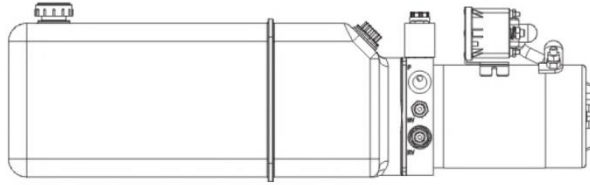
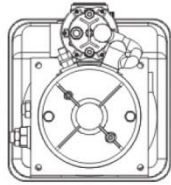
TEL: 01584 876 033

EMAIL: www.sales@flowfitonline.com

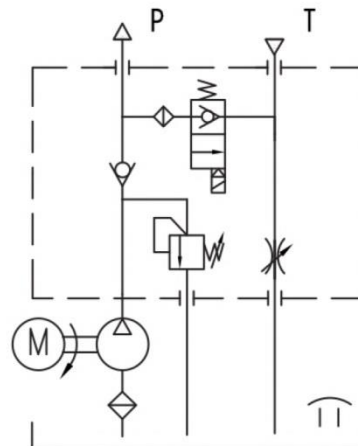
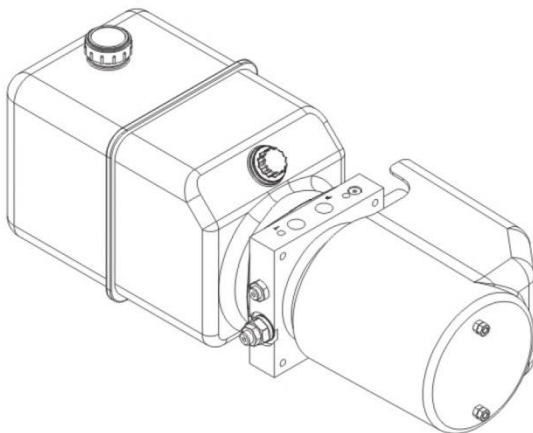
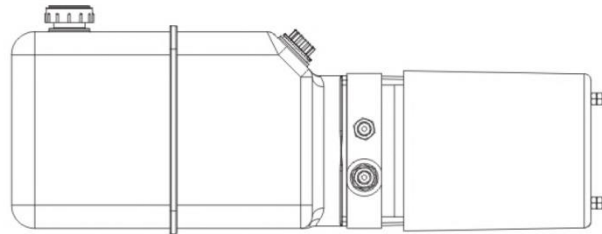
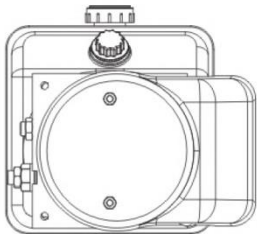
FAX: 01584 876 044

WEB: www.flowfitonline.com

Hydraulic Power Unit



101

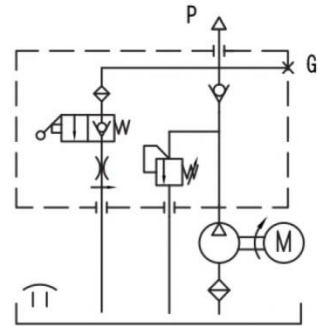
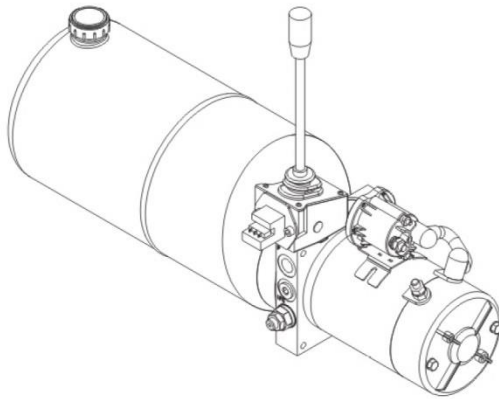
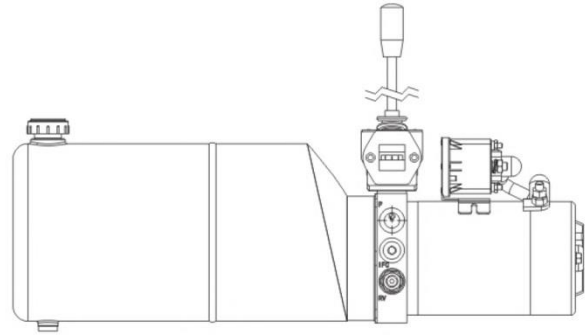
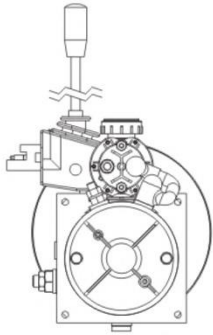


108

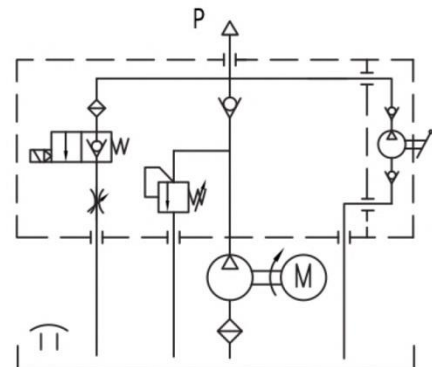
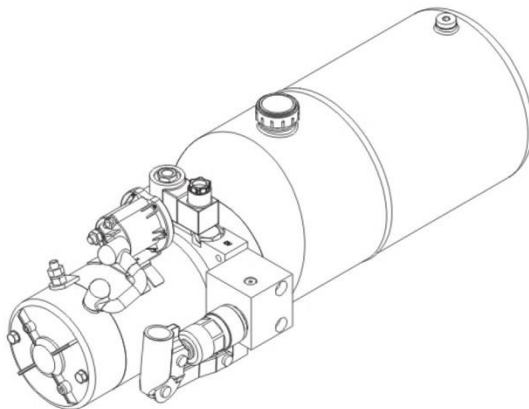
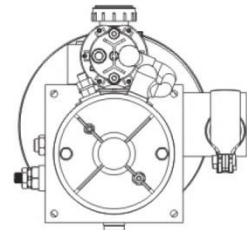
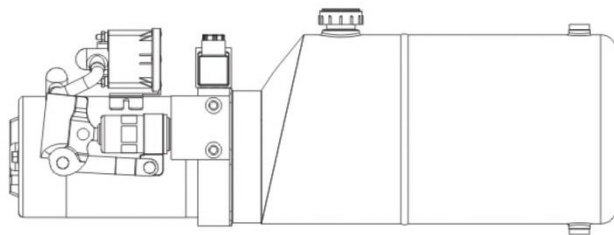
TEL: 01584 876 033
 EMAIL: www.sales@flowfitonline.com

FAX: 01584 876 044
 WEB: www.flowfitonline.com

Hydraulic Power Unit



105



103

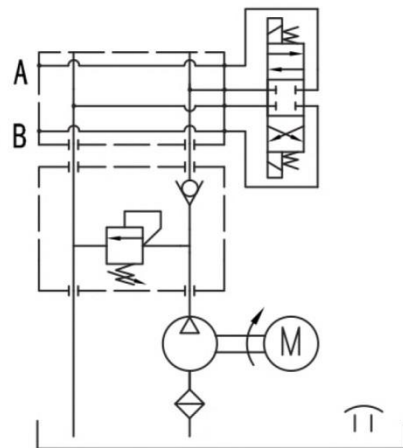
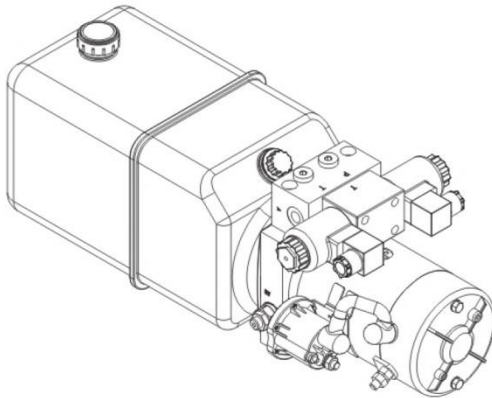
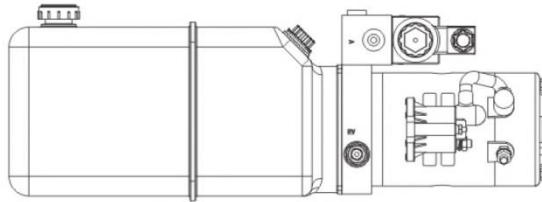
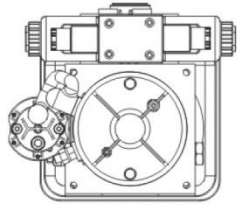
TEL: 01584 876 033

EMAIL: www.sales@flowfitonline.com

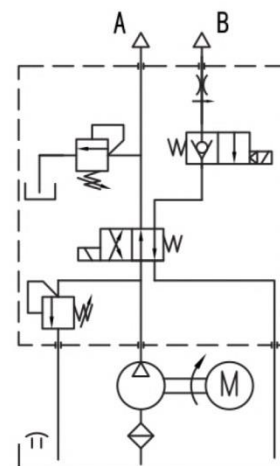
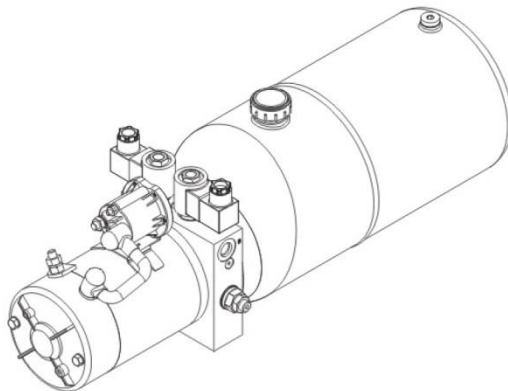
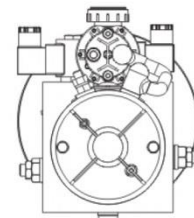
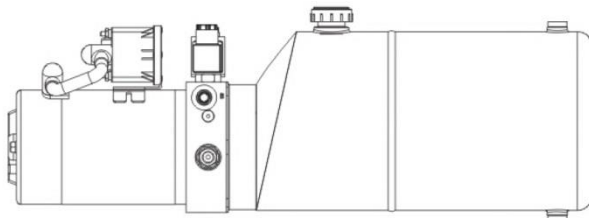
FAX: 01584 876 044

WEB: www.flowfitonline.com

Hydraulic Power Unit



111

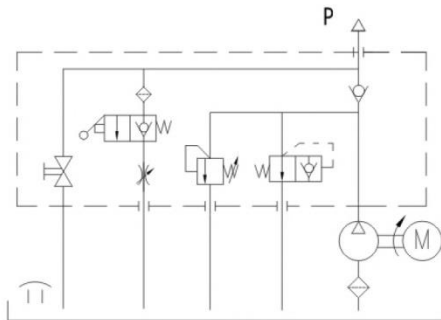
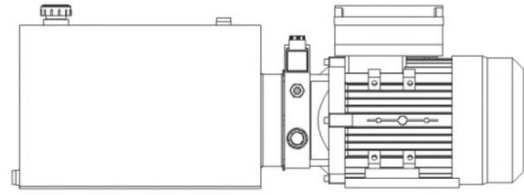
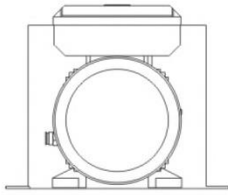


116

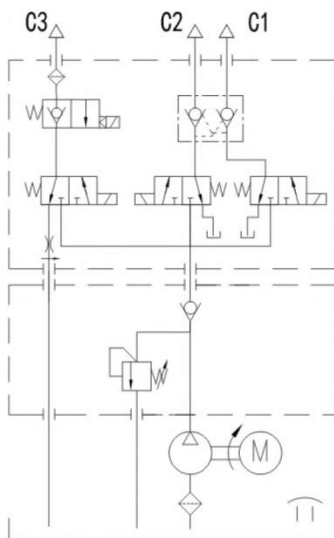
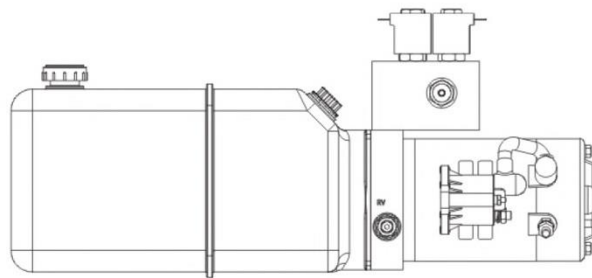
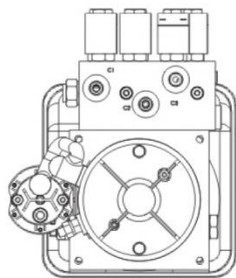
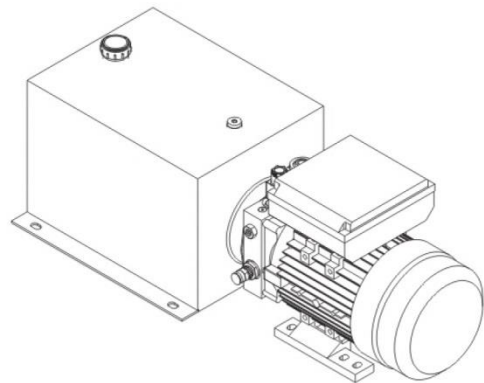
TEL: 01584 876 033
 EMAIL: www.sales@flowfitonline.com

FAX: 01584 876 044
 WEB: www.flowfitonline.com

Hydraulic Power Unit



106



118

