

FILLER BREATHERS

FT SERIES

Filler breathers with flange or welding mounting

TECHNICAL INFORMATION



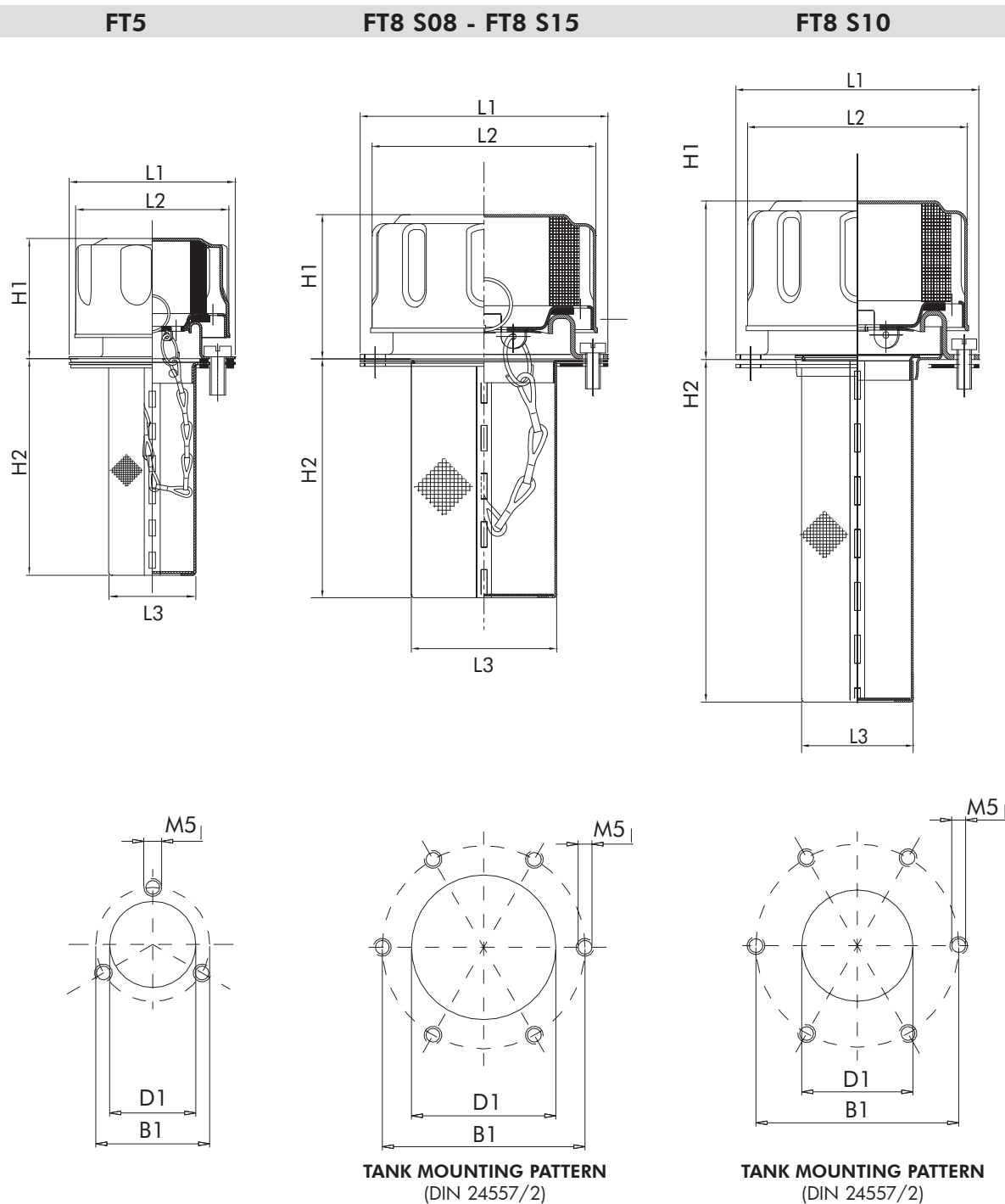
MATERIALS:	Cover: chrome plated steel Basket: zinc plated steel Flange: zinc plated steel Gaskets: NBR
FILTER MEDIA:	Polyurethane (air filtration 3µm e10 µm) The plugs are linked to the mounting flange with a safety chain (except versions T13, S10 and W10).
PRESSURIZATION VALVE:	0,35 or 0,75 bar (for FT8 only)
WORKING TEMPERATURE:	-25° + 100°C (-13°F +212°F)
FLUID COMPATIBILITY: (acc. to ISO 2943)	Mineral oil, vegetable oil, synthetic oil. For use with other fluids(in particular HFA-HFC-HFD/R -HPG) please contact the FILTREC Customer Service (info@filtrec.it).

ORDERING INFORMATION

FT	8	F03	B	S08	0	L
NOMINAL SIZE						
5	cover Ø48					
8	cover Ø75					
FILTER MEDIA						
F03	polyurethane (air filtration 3 µm)					
F10	polyurethane (air filtration 10 µm)					
GASKETS						
B	NBR					
MOUNTING TYPE						
---	FT5 only					
S08	flange, basket h = 80 mm					
S15	flange, basket h = 150 mm					
S10	flange, removable basket					
W10	welding flange					
T13	with antislash tube					
PRESSURIZATION VALVE						
0	no valve					
*1	0,35 bar / 5 psi					
*2	0,75 bar / 10,8 psi					
* for FT-8 only, see page 10						
PADLOCK HOLDER						
0	without padlock holder					
*L	with padlock holder					
* for FT-8 only, see page 10						

FLANGED MOUNTING

OVERALL DIMENSIONS



NOMINAL SIZE

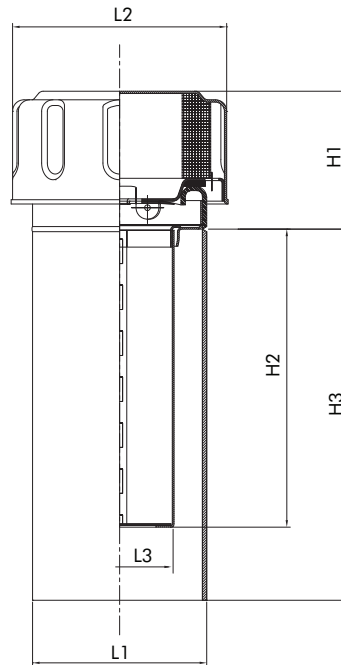
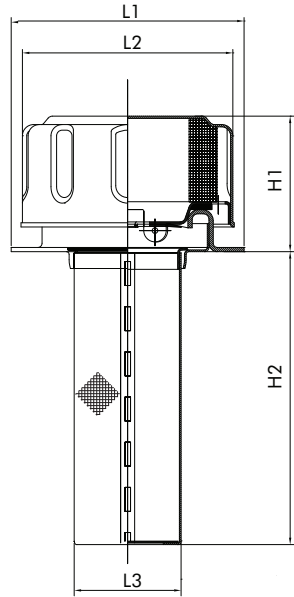
CODE	B1	D1	H1	H2	L1	L2	L3	Air flow rate l/min Dp 0,015 barg	
								F03	F10
FT5	41	31	37	67	52	48	27,5	200	250
FT8 S8	71÷73	52	50	80	83	75	50	450	550
FT8 S15				150					
FT8 S10				105					
		40					38		

WELDING MOUNTING

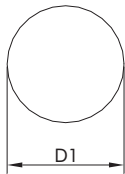
OVERALL DIMENSIONS

FT8 W10

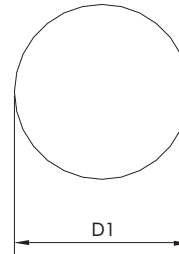
FT8 T13



HOLE ON THE TANK



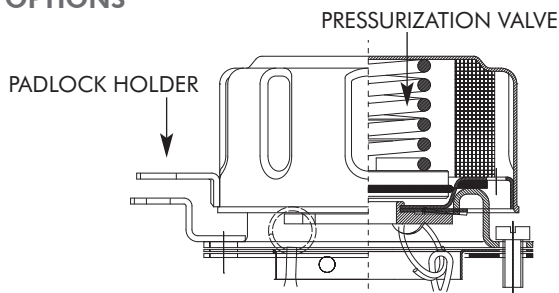
HOLE ON THE TANK



NOMINAL SIZE

CODE	D1	H1	H2	H3	L1	L2	L3	Air flow rate l/min Dp 0,015 barg	
								F03	F10
FT8 W10	40	50	105	---	83	75	38	200	250
FT8 T13	62			130	60			450	550

OPTIONS



On request, FT7 and FT8 can be supplied with some option:

- PRESSURIZATION VALVE
- PADLOCK HOLDER (FT8 only)



Air filters and filler breathers

www.filtrec.com

