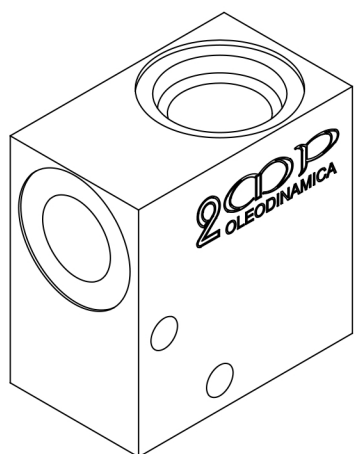
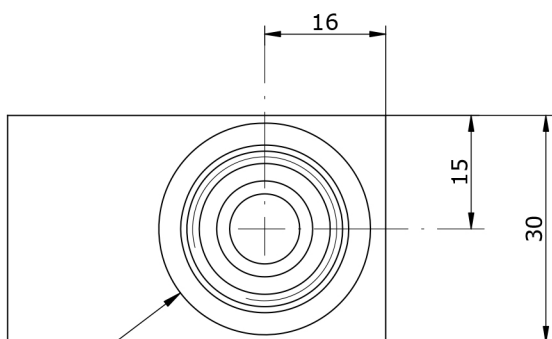
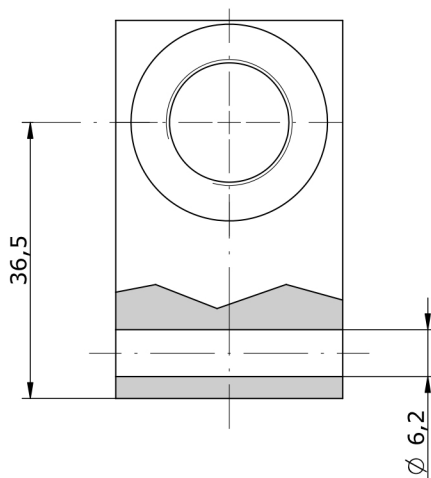
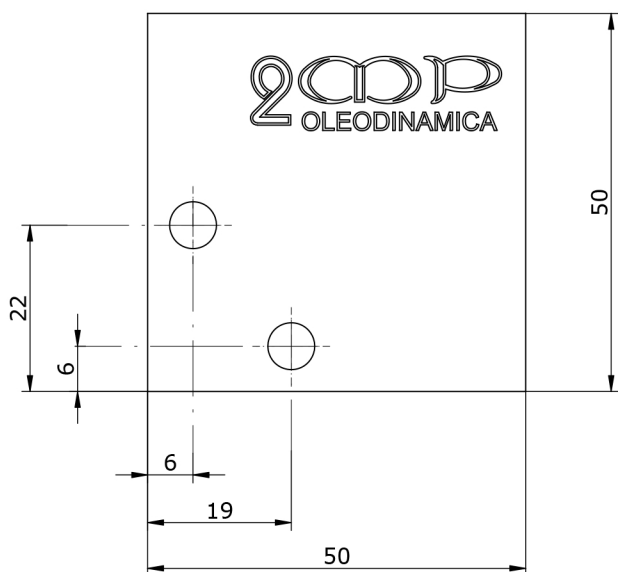
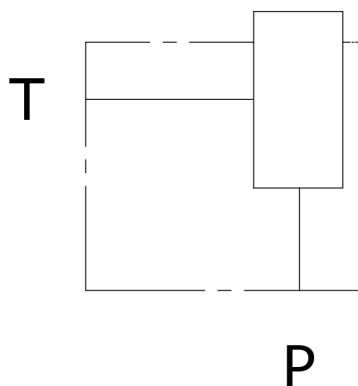


**COLLETTORE PER VALVOLA 3/4-16 UNF, P-T 1/4" (3/8") BSP PER S08**  
**HOUSING FOR 3/4-16 UNF, P-T 1/4" (3/8") BSP FOR S08**



Schema idraulico  
Hydraulic diagram



C007

**HS\_ 06 - \_\_\_ - 10**

**S** = STEEL  
**A** = ALUMINUM

**14** = BSP 1/4G  
**38** = BSP 3/8G