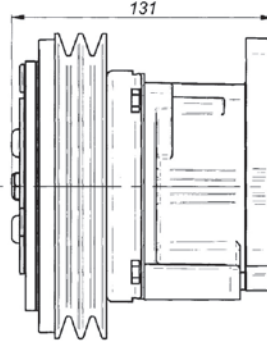
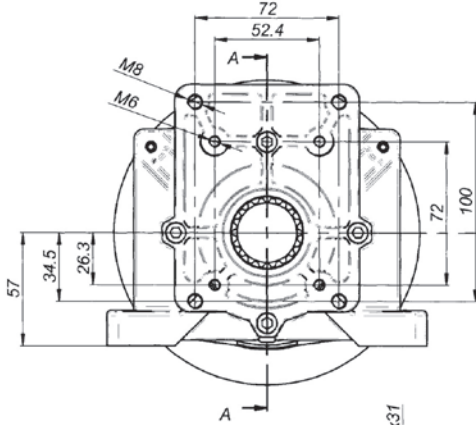


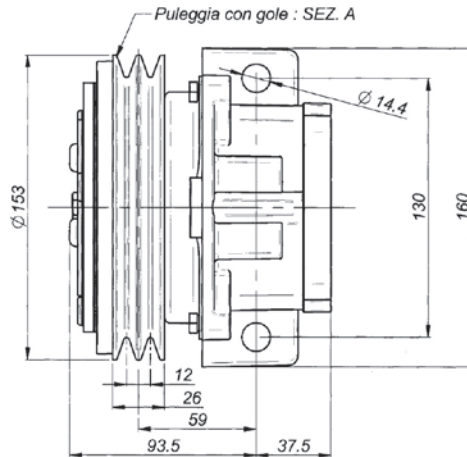
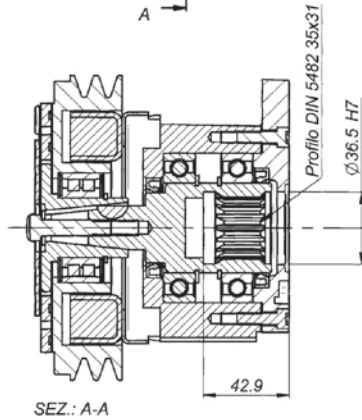
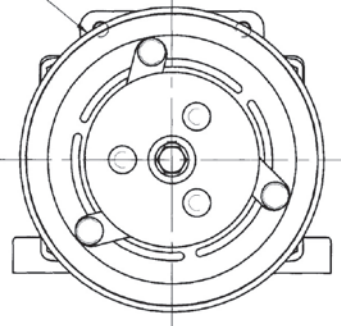
## 10 daNm ELECTROMAGNETIC CLUTCHES

SERIE: 30901 12 Volt

SERIE: 30903 24 Volt

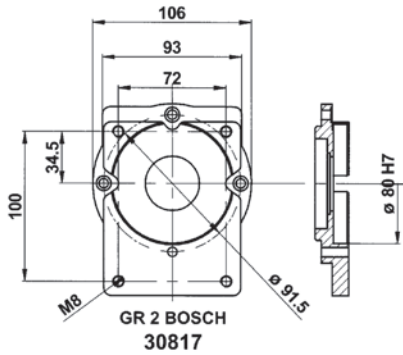
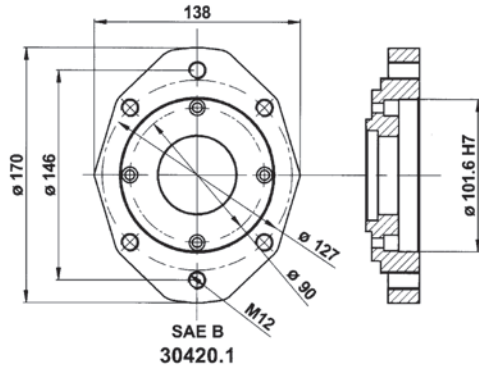
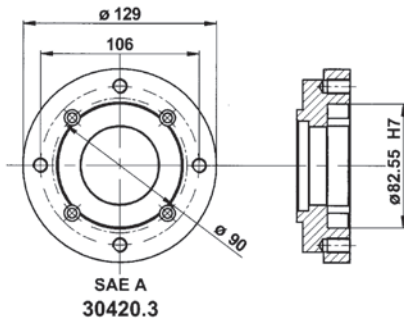
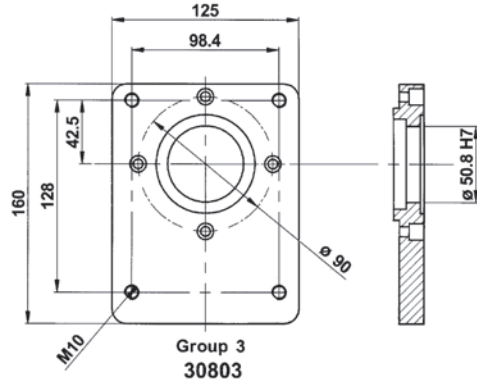
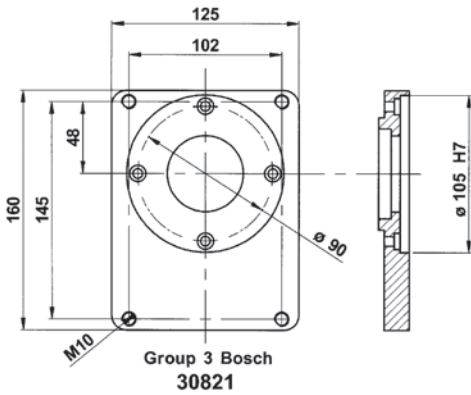


Cavo elettrico 2x2.5 per alimentazione dell' innesto elettromagnetico .  
Electromagnetic clutch 2x2.5 feeding cable



Nominal torque	7,8 daNm		Connection time	25 m/sec		
Static torque	12,5 daNm		Disconnection time	40 m/sec		
Dynamic torque	8,5 daNm	at 500 rpm	Minimum time between two connection	20 sec		
	7,0 daNm	at 1000 rpm				
	4,2 daNm	at 1500 rpm	Max speed	5000 rpm		
	3,5 daNm	at 2000 rpm				
	2,7 daNm	at 2500 rpm				
	2,5 daNm	at 3000 rpm	Weight	5,5 Kg		
Electric absorption	Resistance ( $\Omega$ )		Current ( A )		Power ( W )	
	20° C	120° C	20° C	120° C	20° C	120° C
12 V DC	4,00	5,60	3,33	2,00	40,00	24,00
24 V DC	20,00	28,00	1,26	0,77	30,30	18,18
All technical data are at 20°C / at 120 °C the performance are less 20%						
All electromagneteic clutches are reversible.						

**FLANGES FOR 10 daNm ELECTROMAGNETIC CLUTCHES**

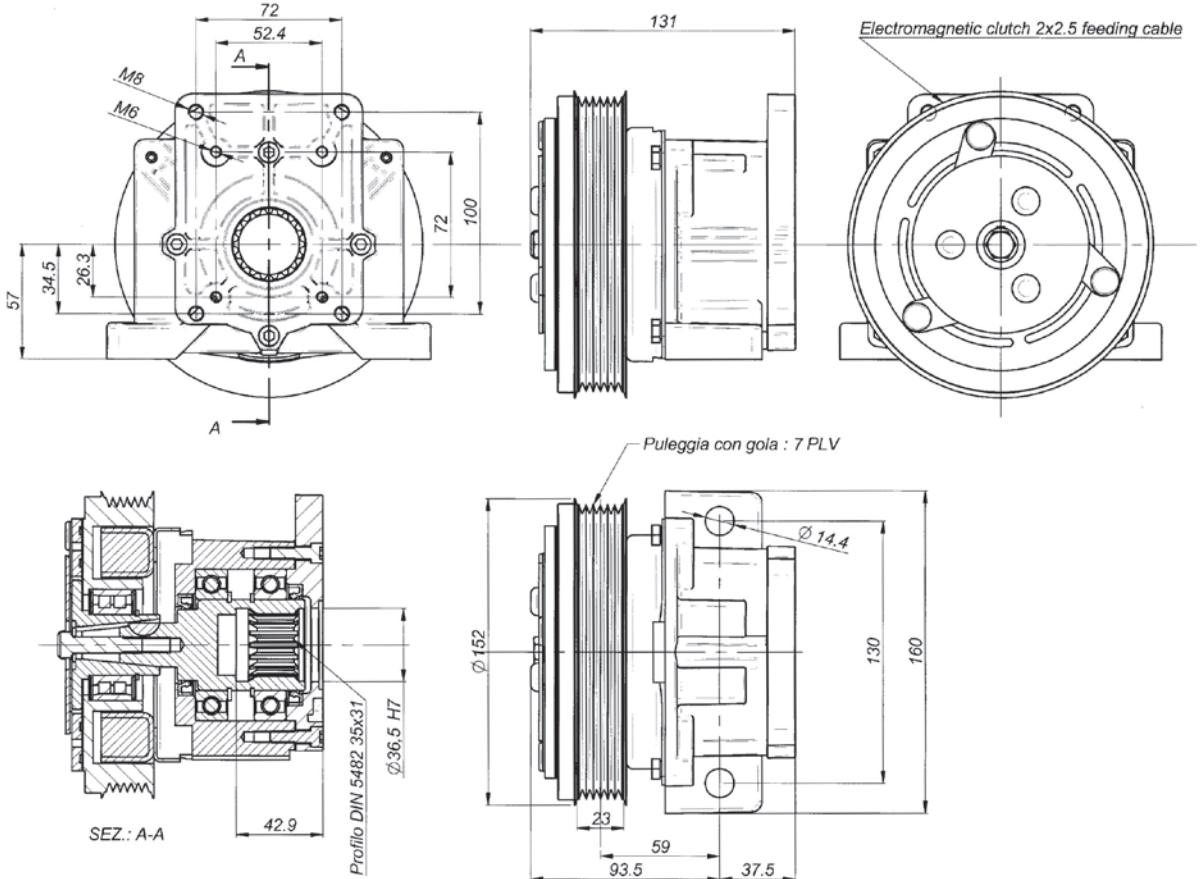


Electric absorption	CLUTCHES COMPLETE WITH ABOVE FLANGES				
	Gr.2 BOSCH	Gr.3	Gr. 3 BOSCH	SAE A	SAE B
12 Volt	30917	30909	30925	30901/SA	30901/SB
24 Volt	30919	30911	30927	30903/SA	30903/SB

## 10 daNm ELECTROMAGNETIC CLUTCHES

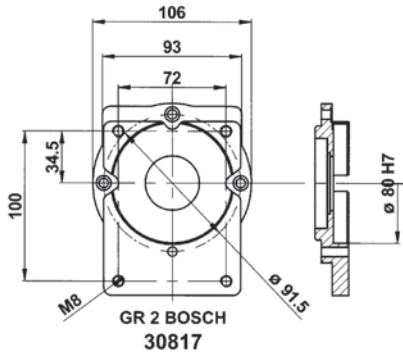
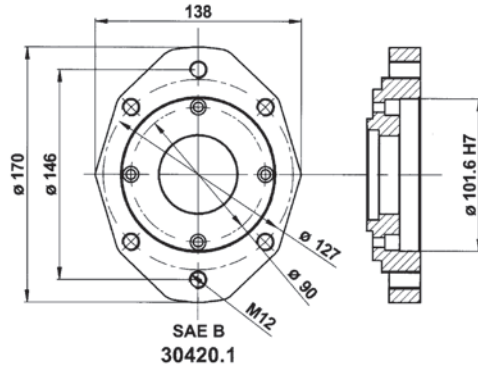
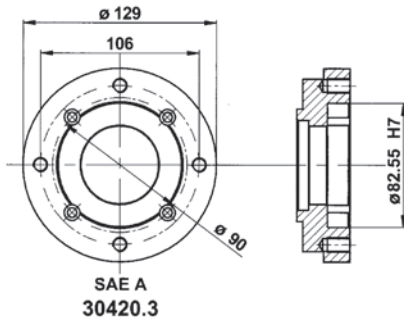
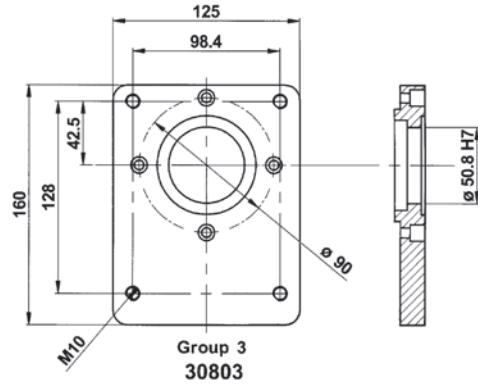
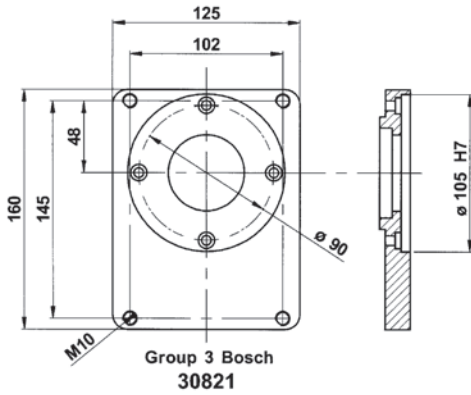
SERIES: 30901-1 12 Volt

SERIES: 30903-1 24 Volt



Nominal torque	7,8 daNm		Connection time	25 m/sec		
Static torque	12,5 daNm		Disconnection time	40 m/sec		
Dynamic torque	8,5 daNm	at 500 rpm	Minimum time between two connection	20 sec		
	7,0 daNm	at 1000 rpm				
	4,2 daNm	at 1500 rpm				
	3,5 daNm	at 2000 rpm	Max speed	5000 rpm		
	2,7 daNm	at 2500 rpm	Weight	5,5 Kg		
2,5 daNm	at 3000 rpm					
Electric absorption	Resistance ( $\Omega$ )		Current ( A )		Power ( W )	
	20° C	120° C	20° C	120° C	20° C	120° C
12 V DC	4,00	5,60	3,33	2,00	40,00	24,00
24 V DC	20,00	28,00	1,26	0,77	30,30	18,18
All technical data are at 20°C / at 120 °C the performance are less 20% All electromagneteic clutches are reversible.						

**FLANGES FOR 10 daNm ELECTROMAGNETIC CLUTCHES**

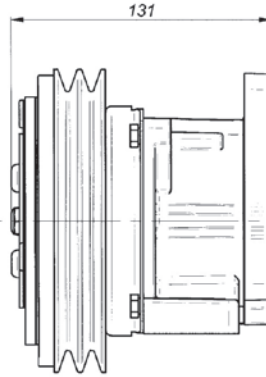
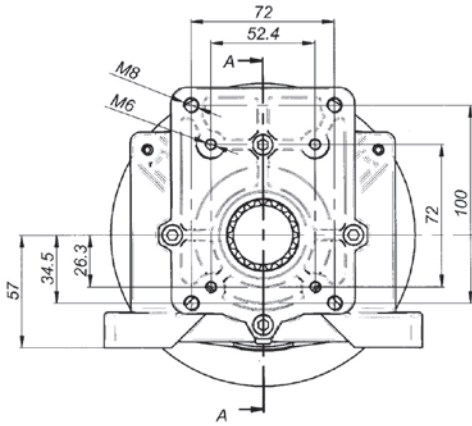


Electric absorption	CLUTCHES COMPLETE WITH ABOVE FLANGES				
	Gr.2 BOSCH	Gr.3	Gr. 3 BOSCH	SAE A	SAE B
12 Volt	30917-1	30909-1	30925-1	30901-1/SA	30901-1/SB
24 Volt	30919-1	30911-1	30927-1	30903-1/SA	30903-1/SB

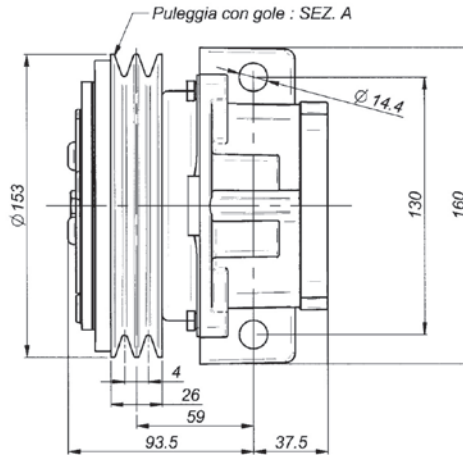
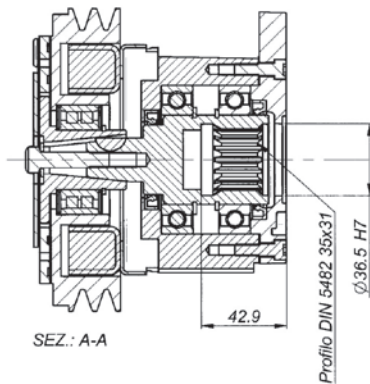
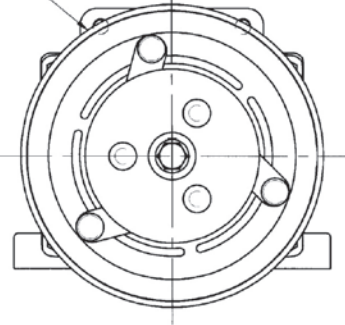
## 14 daNm ELECTROMAGNETIC CLUTCHES

SERIE: 30929 12 Volt

SERIE: 30930 24 Volt

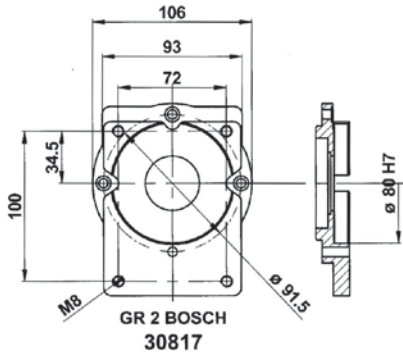
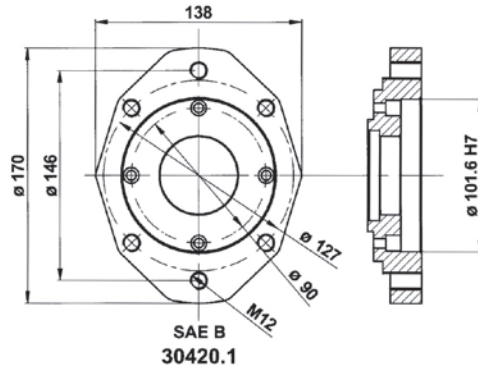
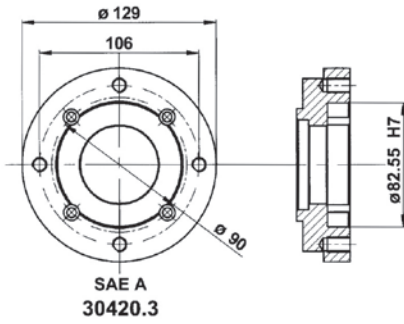
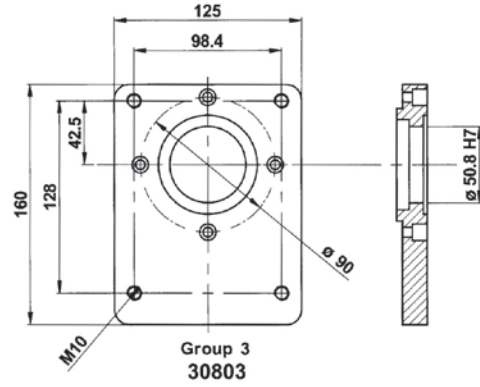
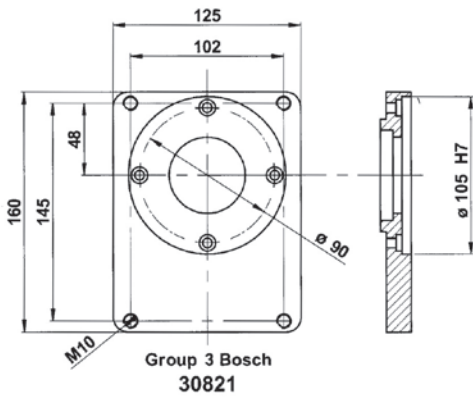


Cavo elettrico 2x2.5 per alimentazione dell'innesto elettromagnetico.  
Electromagnetic clutch 2x2.5 feeding cable



Nominal torque	11,8 daNm		Connection time	25 m/sec		
Static torque	14,0 daNm		Disconnection time	40 m/sec		
Dynamic torque	12,5 daNm	at 500 rpm	Minimum time between two connection	20 sec		
	11,0 daNm	at 1000 rpm				
	8,2 daNm	at 1500 rpm				
	7,5 daNm	at 2000 rpm	Max speed	5000 rpm		
	6,7 daNm	at 2500 rpm	Weight	5,5 Kg		
6,5 daNm	at 3000 rpm					
Electric absorption	Resistance ( $\Omega$ )		Current ( A )		Power ( W )	
	20° C	120° C	20° C	120° C	20° C	120° C
12 V DC	4,00	5,60	3,33	2,00	40,00	24,00
24 V DC	20,00	28,00	1,26	0,77	30,30	18,18
All technical data are at 20° C / at 120 °C the performance are less 20% All electromagnetic clutches are reversible.						

**FLANGES FOR 14 daNm ELECTROMAGNETIC CLUTCHES**

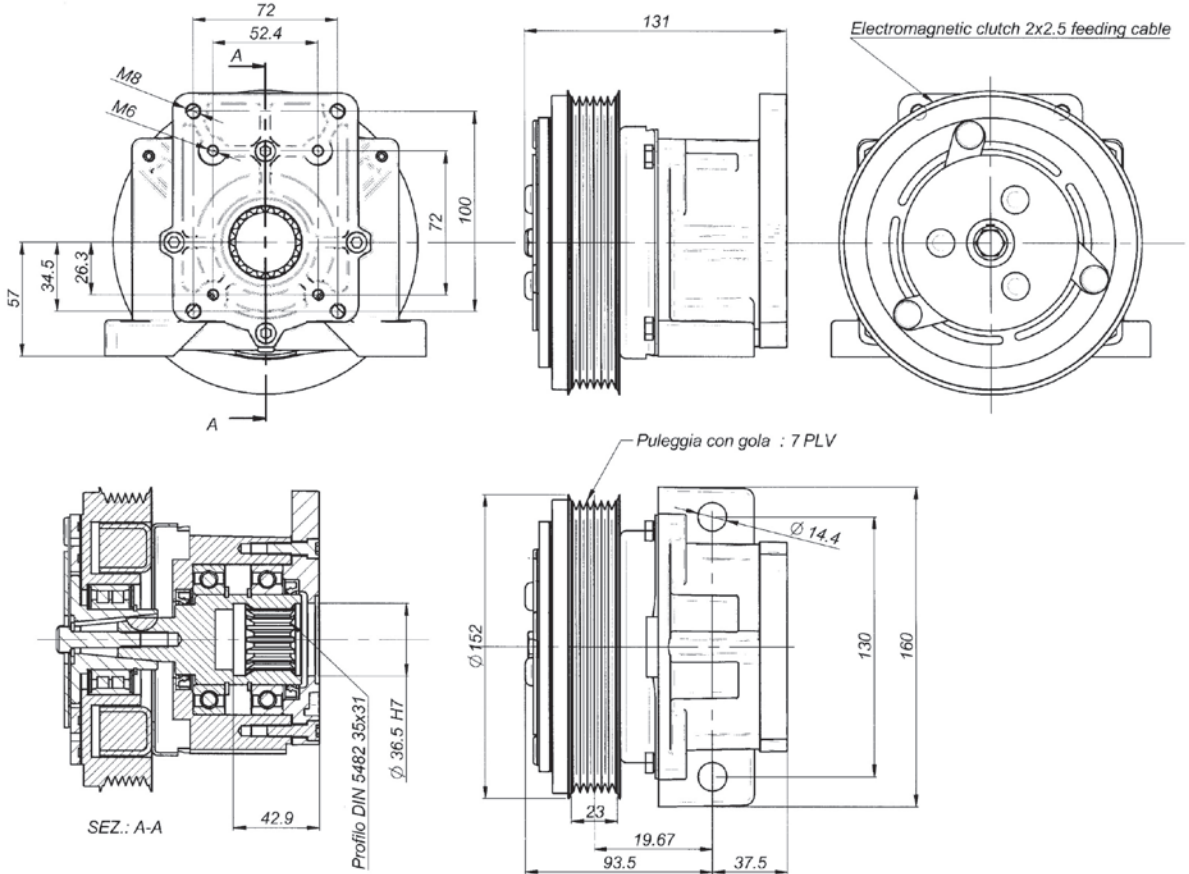


Electric absorption	CLUTCHES COMPLETE WITH ABOVE FLANGES				
	Gr.2 BOSCH	Gr.3	Gr. 3 BOSCH	SAE A	SAE B
12 Volt	30929/2B	30931	30931/3B	30929/SA	30929/SB
24 Volt	30930/2B	30932	30932/3B	30930/SA	30930/SB

## 14 daNm ELECTROMAGNETIC CLUTCHES

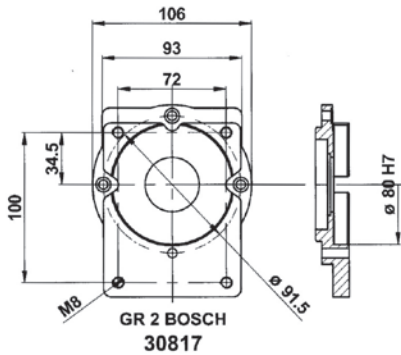
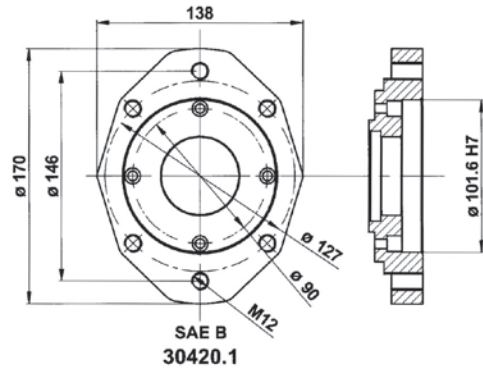
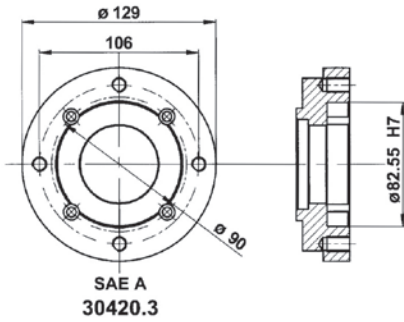
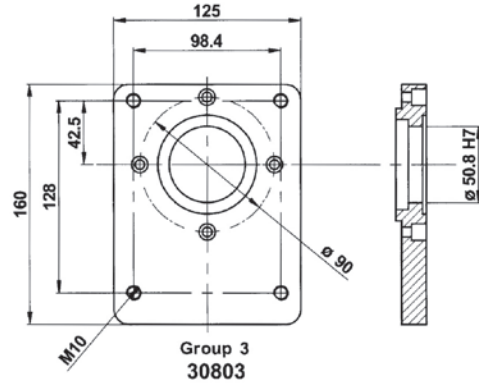
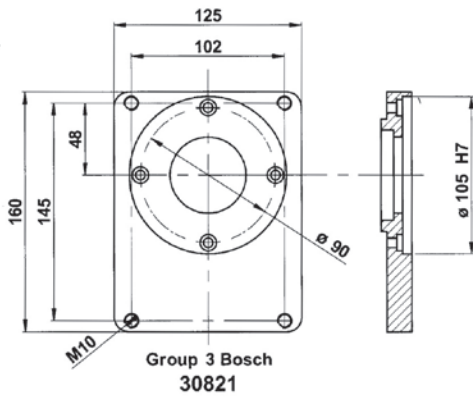
SERIES: 30929-1 12 Volt

SERIES: 30930-1 24 Volt



Nominal torque	11,8 daNm		Connection time	25 m/sec		
Static torque	14,0 daNm		Disconnection time	40 m/sec		
Dynamic torque	12,5 daNm	at 500 rpm	Minimum time between two connection	20 sec		
	11,0 daNm	at 1000 rpm				
	8,2 daNm	at 1500 rpm	Max speed	5000 rpm		
	7,5 daNm	at 2000 rpm				
	6,7 daNm	at 2500 rpm				
	6,5 daNm	at 3000 rpm	Weight	5,5 Kg		
Electric absorption	Resistance (Ω)		Current (A)		Power (W)	
	20° C	120° C	20° C	120° C	20° C	120° C
12 V DC	4,00	5,60	3,33	2,00	40,00	24,00
24 V DC	20,00	28,00	1,26	0,77	30,30	18,18
All technical data are at 20° C / at 120 °C the performance are less 20% All electromegetic clutches are reversible.						

**FLANGES FOR 14 daNm ELECTROMAGNETIC CLUTCHES**

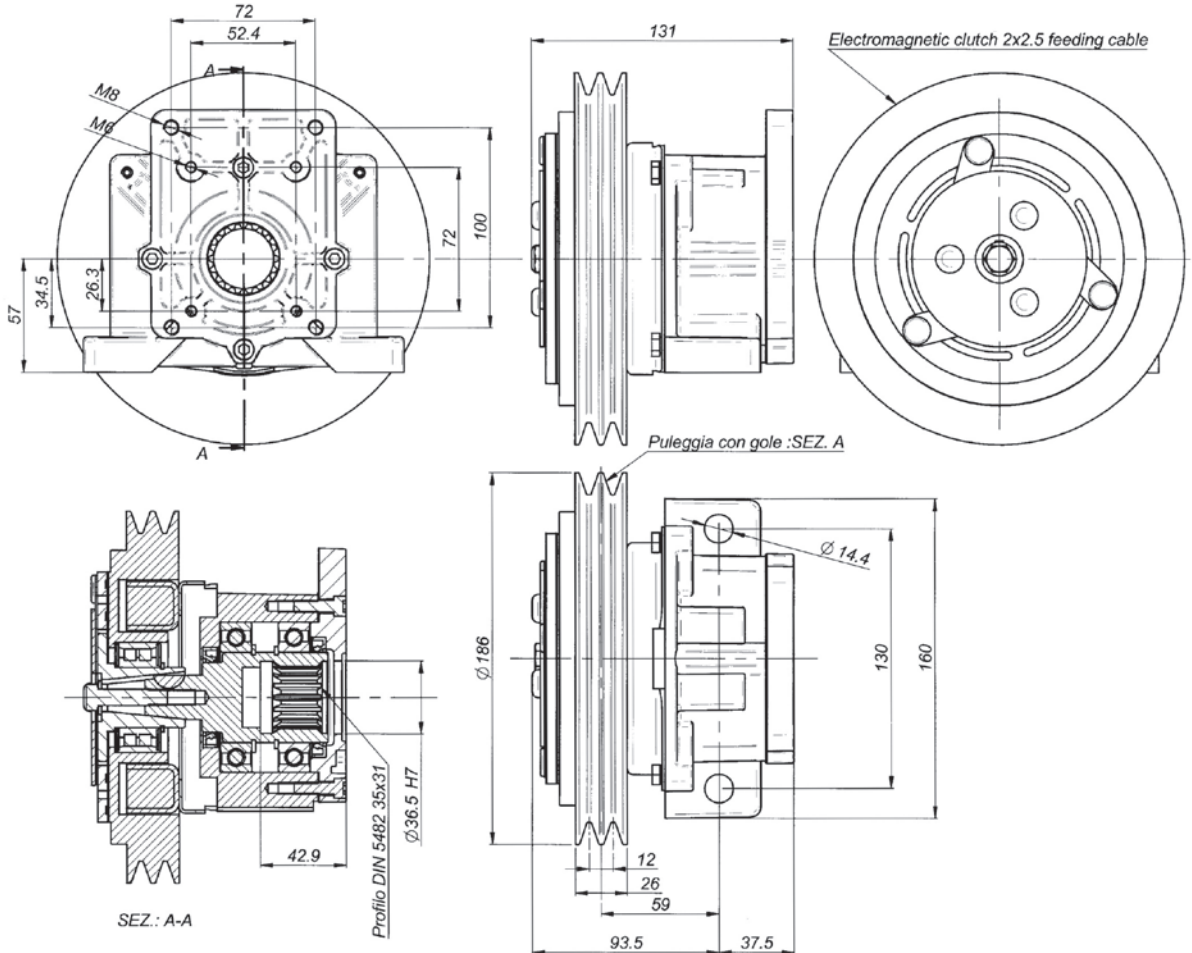


Electric absorption	CLUTCHES COMPLETE WITH ABOVE FLANGES				
	Gr.2 BOSCH	Gr.3	Gr. 3 BOSCH	SAE A	SAE B
12 Volt	30929/2B	30931	30931/3B	30929/SA	30929/SB
24 Volt	30930/2B	30932	30932/3B	30930/SA	30930/SB



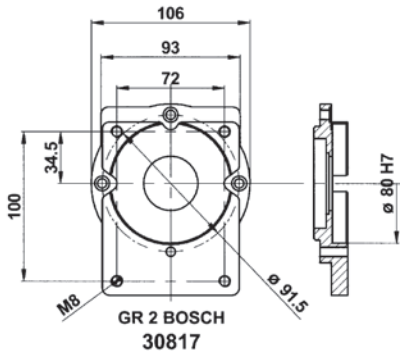
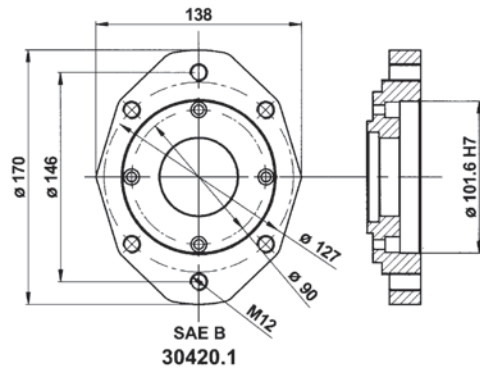
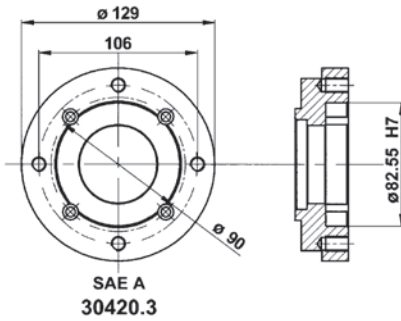
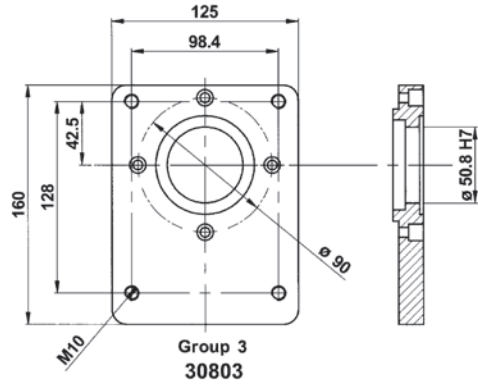
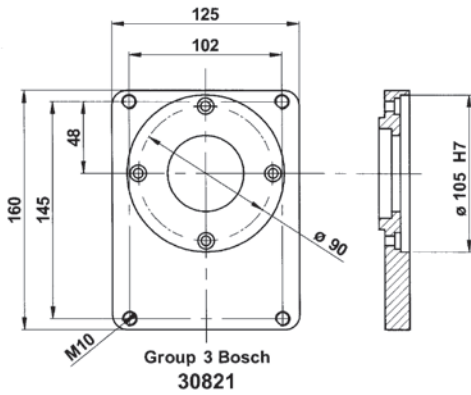
## 21 daNm ELECTROMAGNETIC CLUTCHES

SERIES: 30990 12 Volt    SERIES: 30991 24 Volt



Nominal torque	16,0 daNm		Connection time		25 m/sec	
Static torque	21,0 daNm		Disconnection time		40 m/sec	
Dynamic torque	14,5 daNm	at 500 rpm	Minimum time between two connection		20 sec	
	12,0 daNm	at 1000 rpm				
	9,5 daNm	at 1500 rpm				
	8,8 daNm	at 2000 rpm	Max speed		5000 rpm	
	8,0 daNm	at 2500 rpm	Weight		8 Kg	
7,8 daNm	at 3000 rpm					
Electric absorption	Resistance ( $\Omega$ )		Current (A)		Power (W)	
	20° C	120° C	20° C	120° C	20° C	120° C
12 V DC	2,96	3,97	4,05	2,71	48,70	32,50
24 V DC	12,30	16,60	1,95	1,31	47,00	30,70
All technical data are at 20°C / at 120 °C the performance are less 20% All electromagnetic clutches are reversible.						

**FLANGES FOR 21 daNm ELECTROMAGNETIC CLUTCHES**

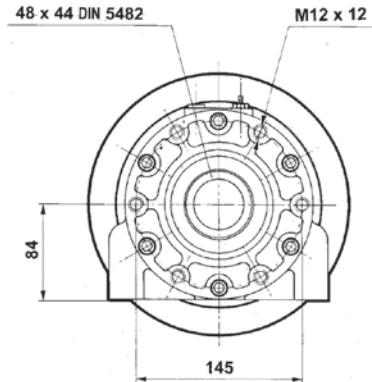
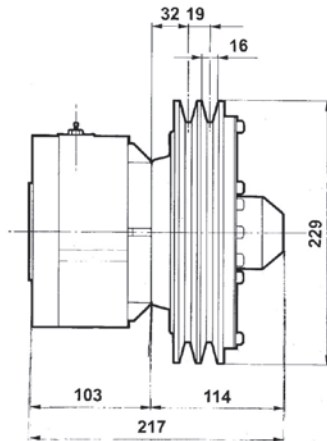
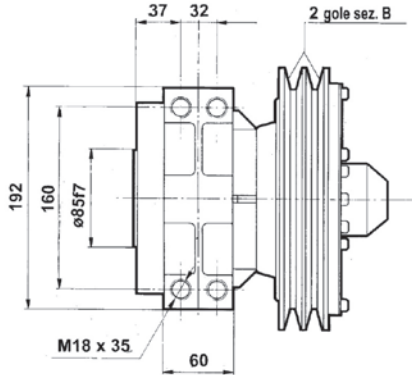


Electric absorption	CLUTCHES COMPLETE WITH ABOVE FLANGES				
	Gr.2 BOSCH	Gr.3	Gr. 3 BOSCH	SAE A	SAE B
12 Volt	30990/2B	30992	30992/3B	30990/SA	30990/SB
24 Volt	30991/2B	30993	30993/3B	30991/SA	30991/SB

## 50 daNm ELECTROMAGNETIC CLUTCHES

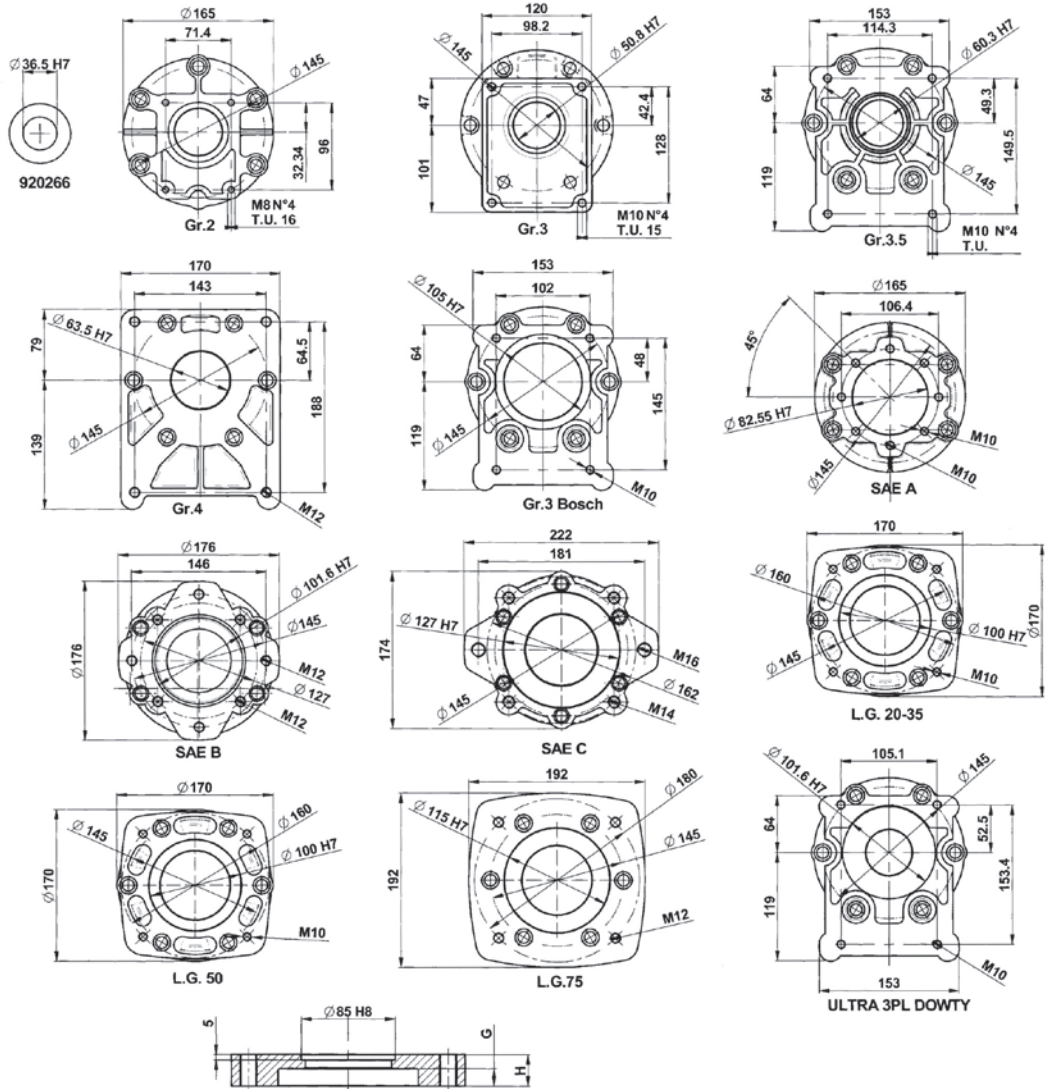
SERIES: 30940/SF 12 Volt

SERIES: 30941/SF 24 Volt



Nominal torque	38,0 daNm		Connection time	25 m/sec		
Static torque	50,0 daNm		Disconnection time	40 m/sec		
Dynamic torque	33,0 daNm	at 500 rpm	Minimum time between two connection	20 sec		
	31,5 daNm	at 1000 rpm				
	28,7 daNm	at 1500 rpm				
	28,0 daNm	at 2000 rpm	Max speed	5000 rpm		
	27,2 daNm	at 2500 rpm	Weight	20 Kg		
27,0 daNm	at 3000 rpm					
Electric absorption	Resistance ( $\Omega$ )		Current ( A )		Power ( W )	
	20° C	120° C	20° C	120° C	20° C	120° C
12 V DC	1,81	2,60	6,60	4,62	80,00	56,00
24 V DC	7,40	10,50	3,25	2,30	78,00	54,60
All technical data are at 20°C / at 120 °C the performance are less 20% All electromagneteic clutches are reversible.						

**FLANGES FOR 50 daNm ELECTROMAGNETIC CLUTCHES**



FLANGE TYPE	Gr.2	Gr.3	Gr.3.5	Gr.4	Gr.3 BOSCH	SAE A	SAE B	SAE C	L.G. 20-35	L.G. 50	L.G.75	ULTRA 3PL DOWTY
H	21	23	24	23	19	25	25	28	34	41	41	24.5
G	17	21	11.5	16	12	21	12	16	25	32.5	33	10.5
FLANGE PART NO.	30400	30401	30402	30403	30417	30420	30422	30432	30461	30462	30463	30471