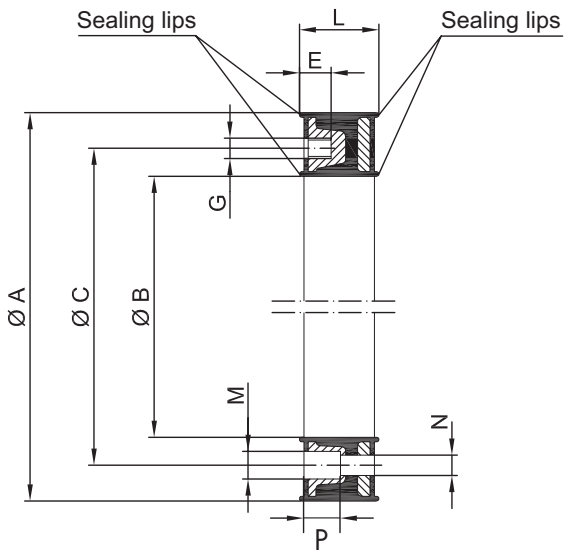


DAMPING RINGS



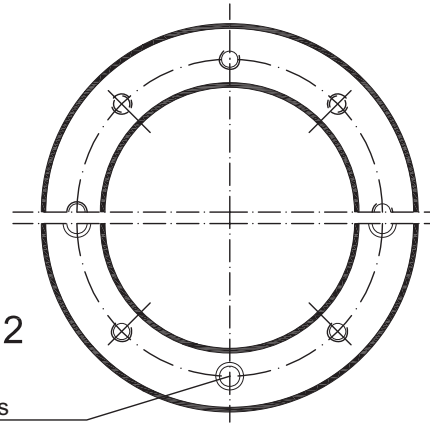
Type

DA ...

Type

DA ... / 2

4 through bores



Only for vertical assembly

Art. No.	IEC motor size	Type	Dimensions [mm]								
			ø A	ø B	ø C	G	E	L	M	N	P
DR4326	100 / 112	DA 250*	250	191	215	M12	20	48	-	-	-

*incl. breakaway quick-closing device