

FLOWFIT BELL HOUSINGS



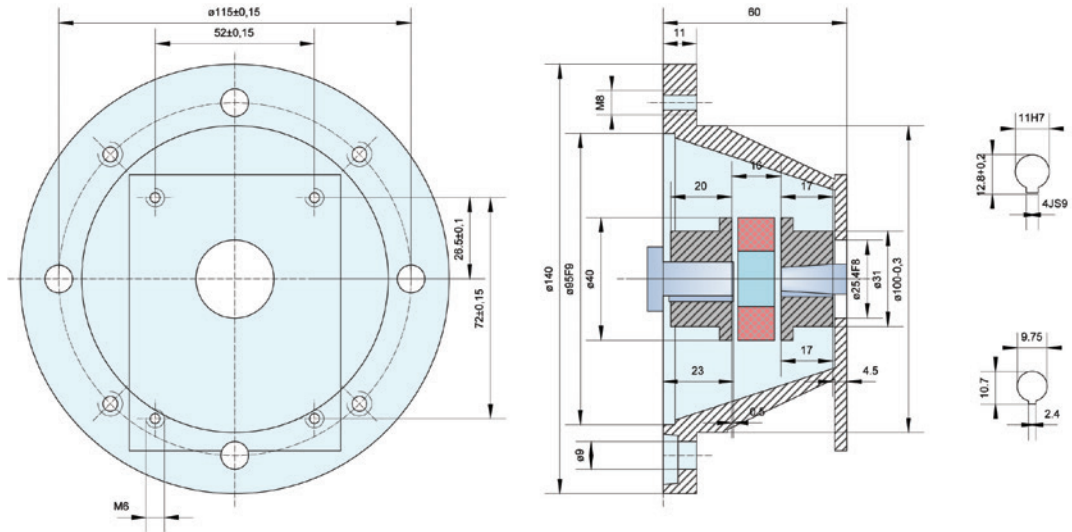
FOR USE WITH GALTECH AND BUCHER GEAR PUMPS AND ANY OTHER GEAR PUMP DESIGNS. PLEASE CHECK DIMENSIONS TO ENSURE THEY FIT YOUR GEAR PUMP.



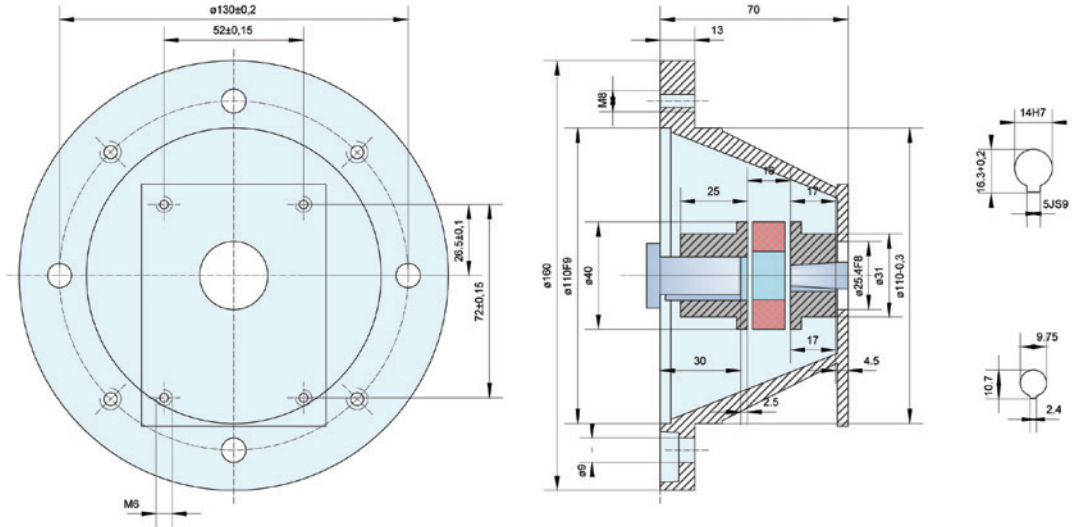
NEW PT NO	GEAR PUMP GROUP	ELECTRIC MOTOR SIZE B5 4 POLE KW RATING	MOTOR FRAME SIZE	DRAWING KIT NUMBER SEE BELOW	
BH4057	GP1-1SPA-AP100	0.18KW	D63	1	
BH4061	GP1-1SPA-AP100	0.25-0.37KW	D71	2	
BH4116	GP1-1SPA-AP100	0.55-0.75KW	D80	3	
BH4115	GP1-1SPA-AP100	1.1-1.5KW	D90	4	
BH4174	GP1-1SPA-AP100	2.2-4KW	D100/D112	5	
BH4104	GP2-2SPA-AP200	0.25KW	D71	6	
BH4141	GP2-2SPA-AP200	0.55-0.75KW	D80	7	
BH4141	GP2-2SPA-AP200	1.1-1.5KW	D90	8	
BH4177	GP2-2SPA-AP200	2.2-4KW	D100/D112	9	
BH4202	GP2-2SPA-AP200	5.5-7.5KW	D132	10	
BH4212	GP2-2SPA-AP200	11-15KW	D160	11	
BH4212	GP2-2SPA-AP200	18.5-22KW	D180	12	
BH4239	GP2-2SPA-AP200	30KW	D200	13	
BH4148	GP3-3SPA-AP300	1.1-1.5KW	D90	14	
BH4184	GP3-3SPA-AP300	2.2-4KW	D100/D112	15	
BH4205	GP3-3SPA-AP300	5.5-7.5KW	D132	16	
BH4223	GP3-3SPA-AP300	11-15KW	D160	17	
BH4223	GP3-3SPA-AP300	18.5-22KW	D180	18	
BH4251	GP3-3SPA-AP300	30KW	D200	19	
BH4267	GP3-3SPA-AP300	37-45kw	D225	20	
BH4278	GP3-3SPA-AP300	55KW	D250	21	

GEAR PUMP GROUP	ELECTRIC MOTOR SIZE B5 4 POLE KW RATING	MOTOR FRAME SIZE	MOTOR HALF ONLY		PUMP HALF ONLY	PUMP KEYWAY WIDTH		SPIDER ONLY		DRAWING KIT NUMBER SEE BELOW
GP1-1SPA-AP100	0.18KW	D63	MH6038		PH6090	2.4MM		SP6000		1
GP1-1SPA-AP100	0.25-0.37KW	D71	MH6017		PH6090	2.4MM		SP6000		2
GP1-1SPA-AP100	0.55-0.75KW	D80	MH6021		PH6090	2.4MM		SP6000		3
GP1-1SPA-AP100	1.1-1.5KW	D90	MH6024		PH6090	2.4MM		SP6000		4
GP1-1SPA-AP100	2.2-4KW	D100/D112	MH6313		PH6350	2.4MM		SP6250		5
GP2-2SPA-AP200	0.25KW	D71	MH6273		PH6352	3.17MM		SP6250		6
GP2-2SPA-AP200	0.55-0.75KW	D80	MH6277		PH6352	3.17MM		SP6250		7
GP2-2SPA-AP200	1.1-1.5KW	D90	MH6280		PH6352	3.17MM		SP6250		8
GP2-2SPA-AP200	2.2-4KW	D100/D112	MH6313		PH6352	3.17MM		SP6250		9
GP2-2SPA-AP200	5.5-7.5KW	D132	MH6540		PH6570	3.17MM		SP6500		10
GP2-2SPA-AP200	11-15KW	D160	MH6781		PH6840	3.17MM		SP6750		11
GP2-2SPA-AP200	18.5-22KW	D180	MH7141		PH7170	3.17MM		SP7000		12
GP2-2SPA-AP200	30KW	D200	MH7162		PH7170	3.17MM		SP7000		13
GP3-3SPA-AP300	1.1-1.5KW	D90	MH6312		PH6354	4MM		SP6250		14
GP3-3SPA-AP300	2.2-4KW	D100/D112	MH6301		PH6354	4MM		SP6250		15
GP3-3SPA-AP300	5.5-7.5KW	D132	MH6540		PH6572	4MM		SP6500		16
GP3-3SPA-AP300	11-15KW	D160	MH6781		PH6832	4MM		SP6750		17
GP3-3SPA-AP300	18.5-22KW	D180	MH7141		PH7172	4MM		SP7000		18
GP3-3SPA-AP300	30KW	D200	MH7162		PH7172	4MM		SP7000		19
GP3-3SPA-AP300	37-45KW	D225	MH7355		PH7369	4MM		SP7200		20
GP3-3SPA-AP300	55KW	D250	MH7444		PH7495	4MM		SP7400		21

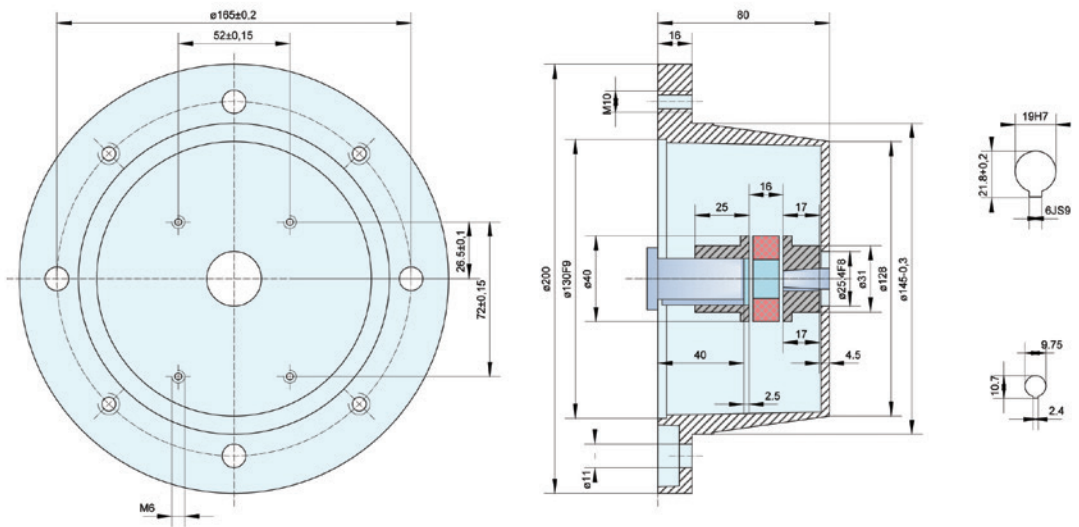
DRAWING KIT NUMBER 1



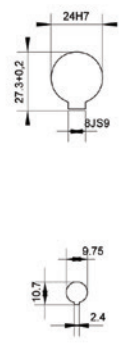
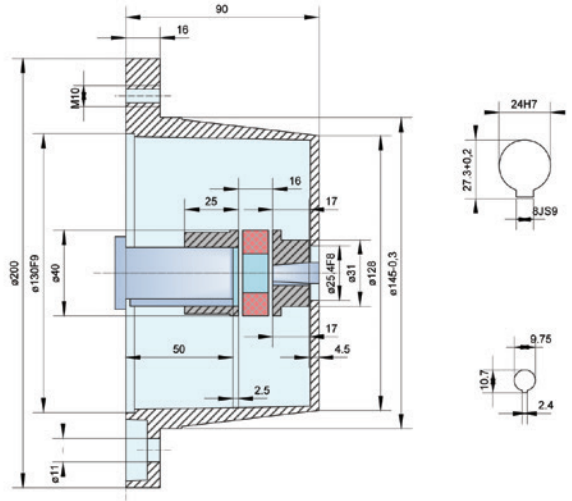
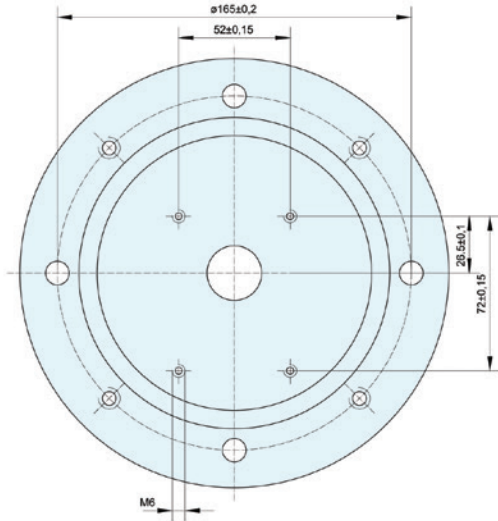
DRAWING KIT NUMBER 2



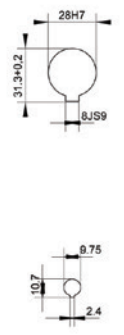
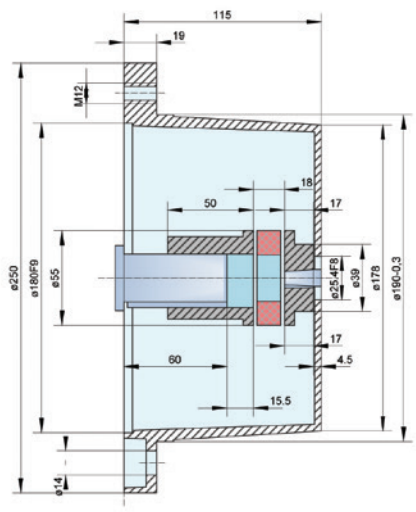
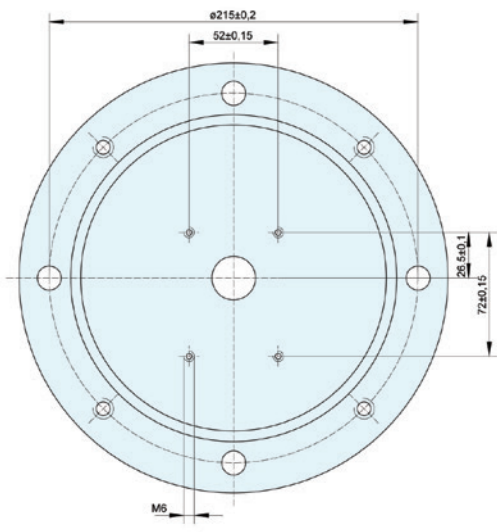
DRAWING KIT NUMBER 3



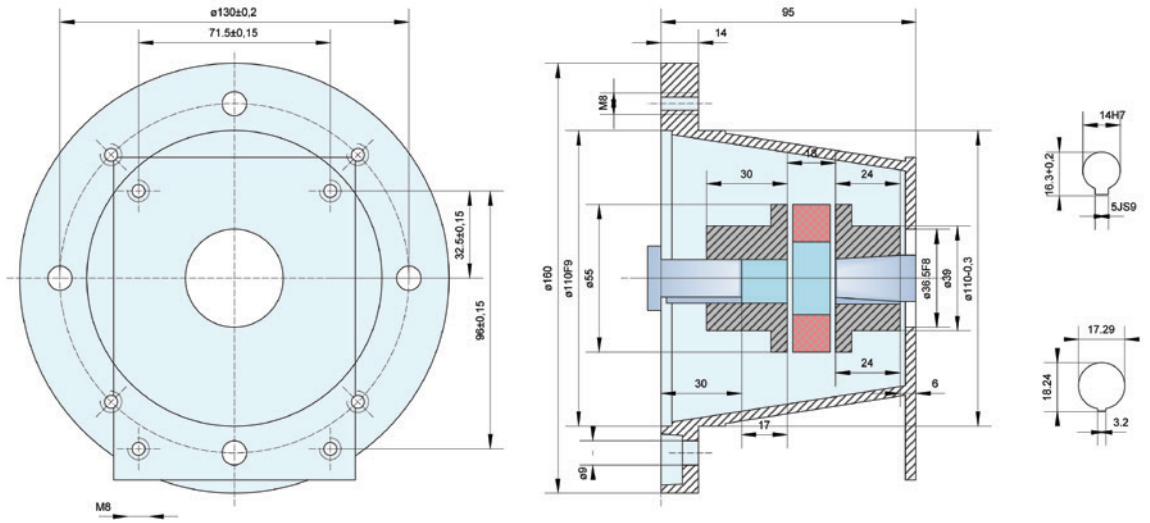
DRAWING KIT NUMBER 4



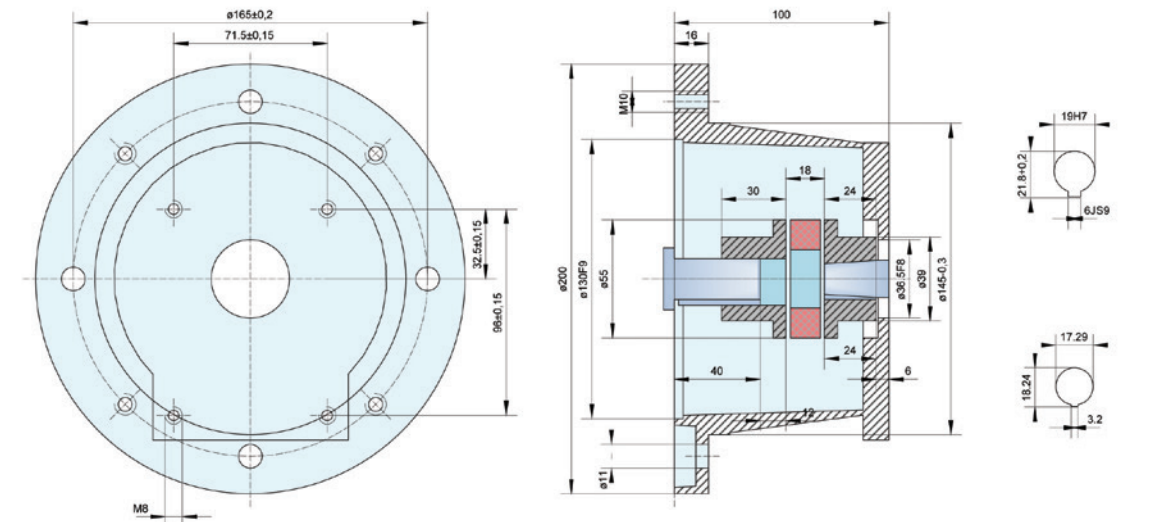
DRAWING KIT NUMBER 5



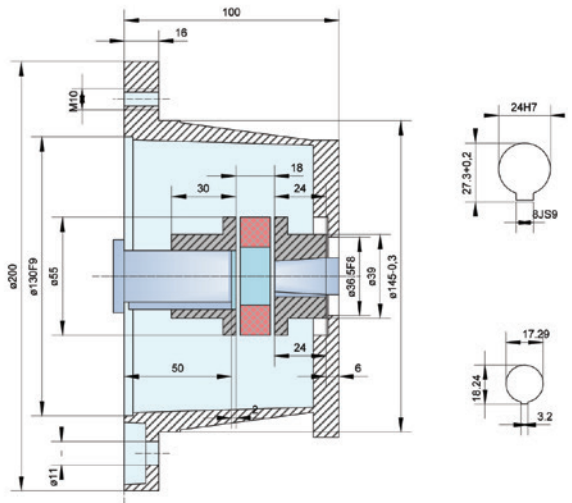
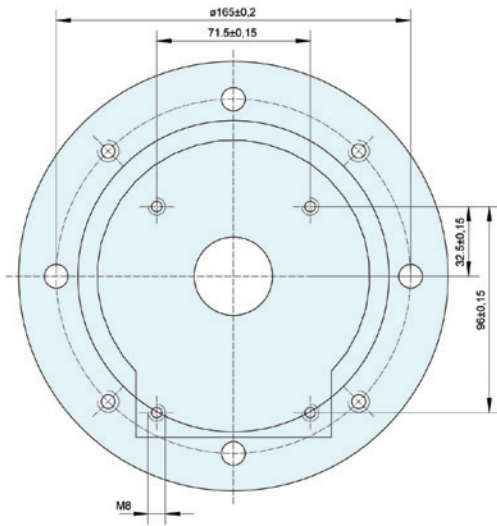
DRAWING KIT NUMBER 6



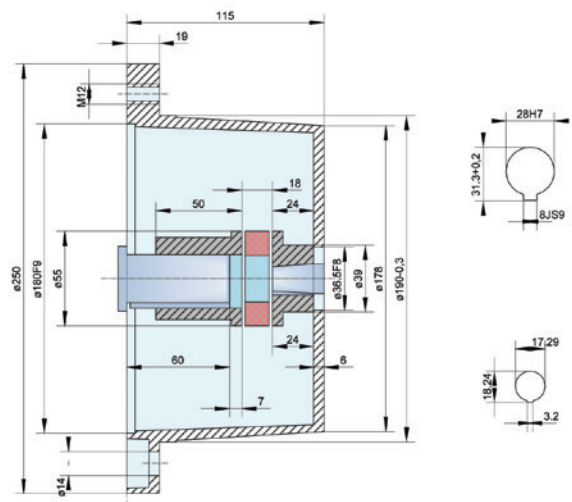
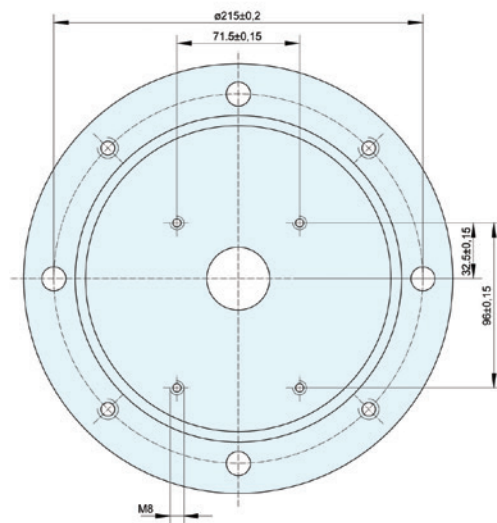
DRAWING KIT NUMBER 7

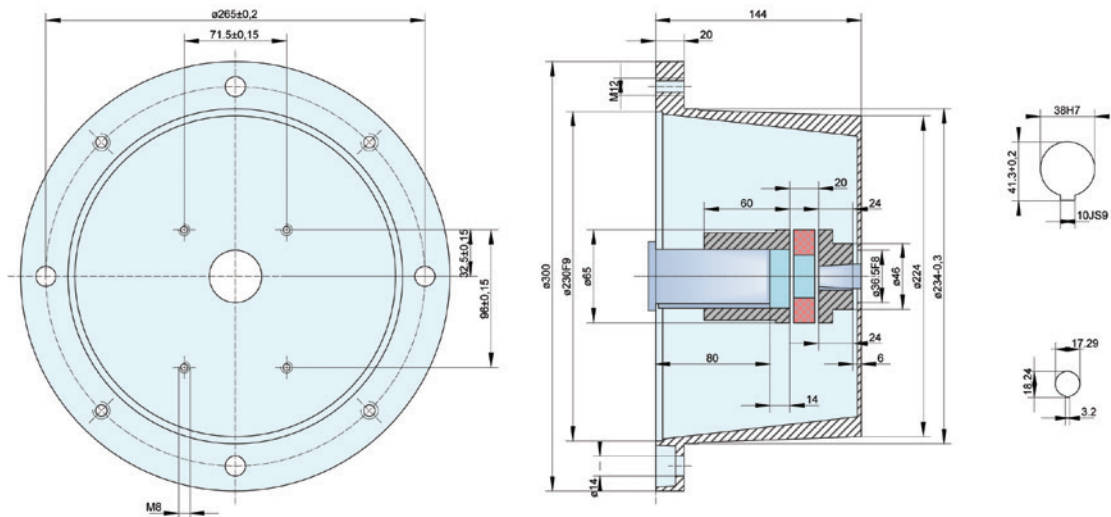
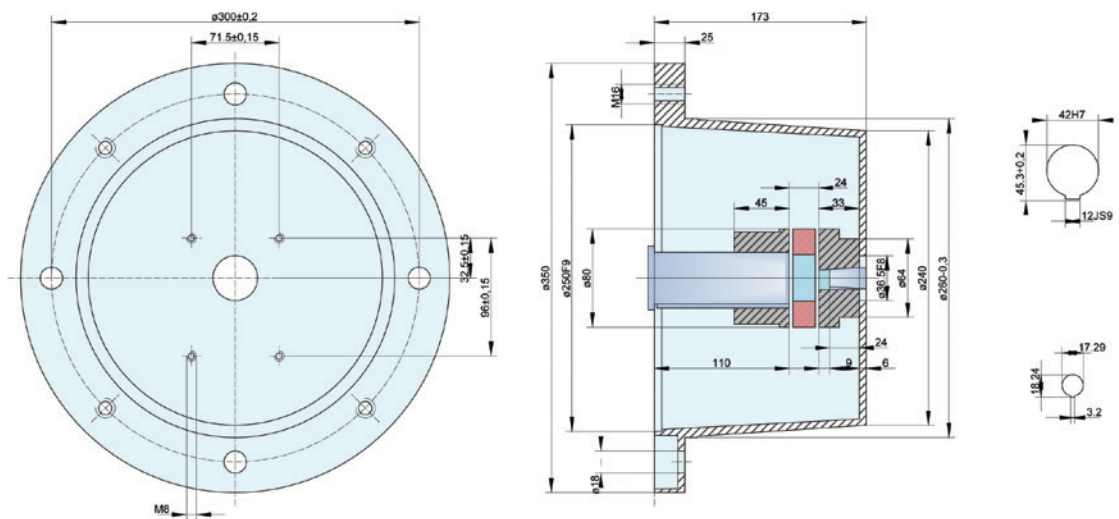


DRAWING KIT NUMBER 8

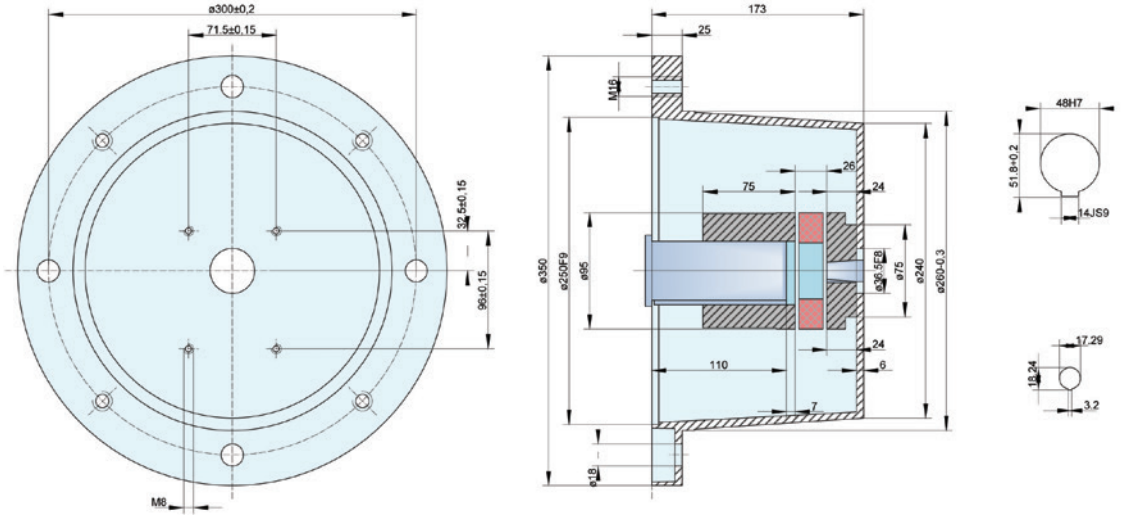


DRAWING KIT NUMBER 9

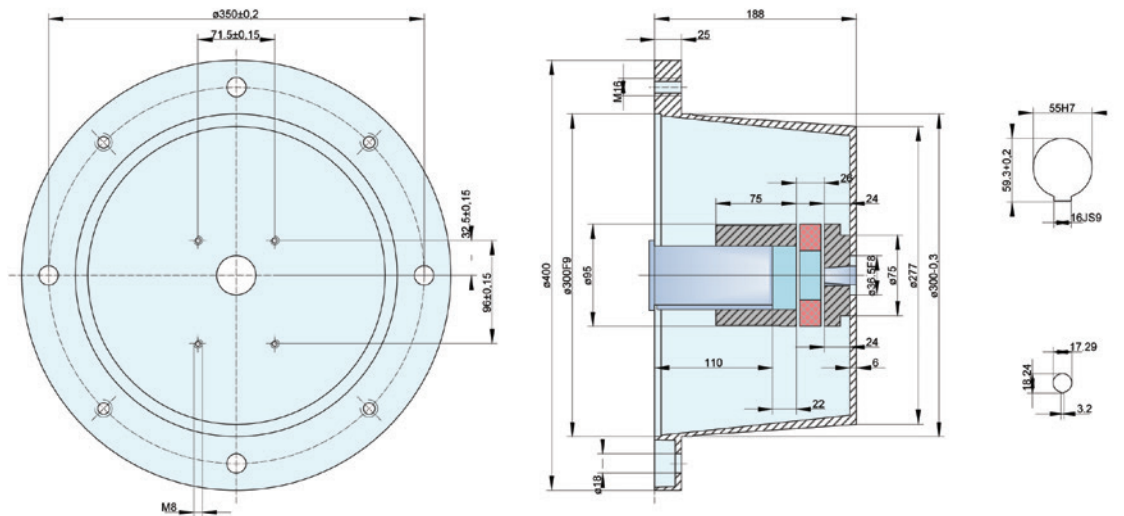


DRAWING KIT NUMBER 10**DRAWING KIT NUMBER 11**

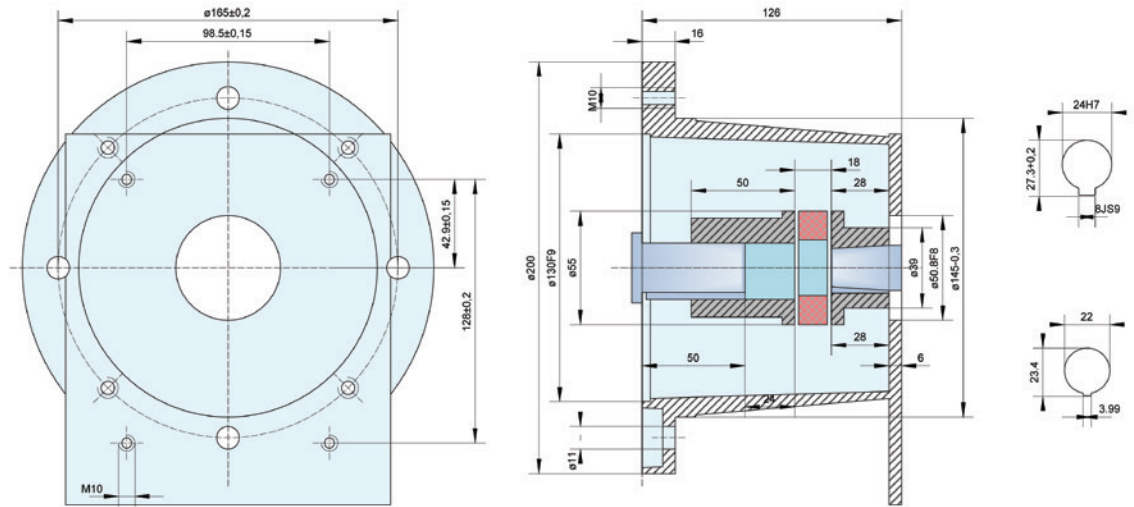
DRAWING KIT NUMBER 12



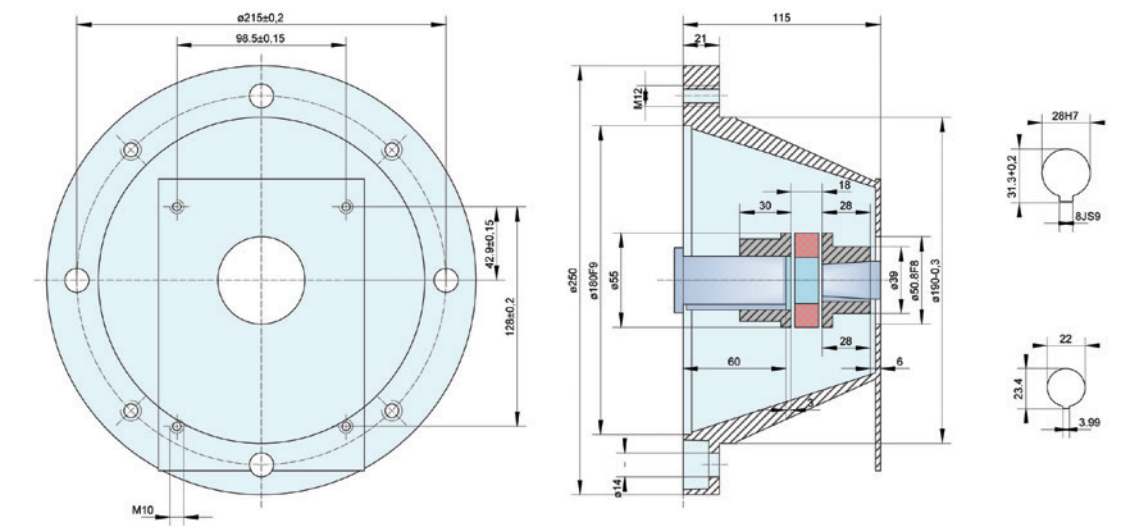
DRAWING KIT NUMBER 13



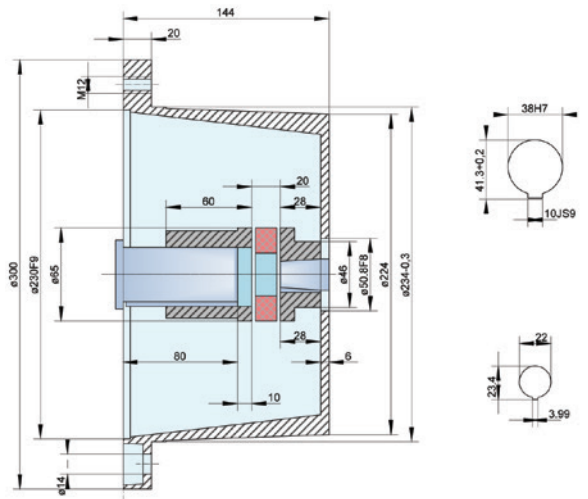
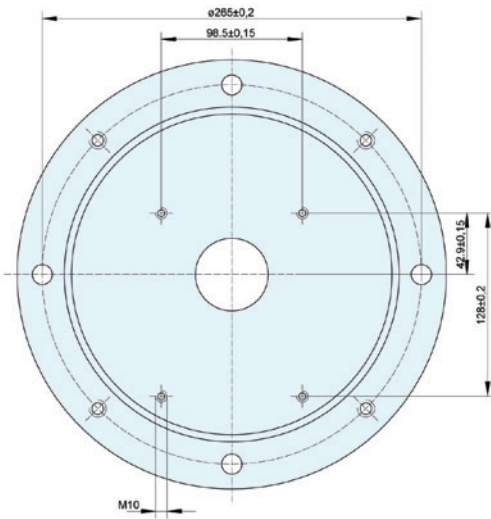
DRAWING KIT NUMBER 14



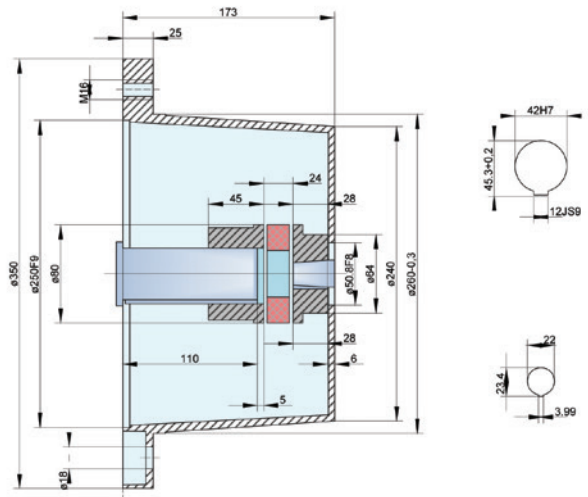
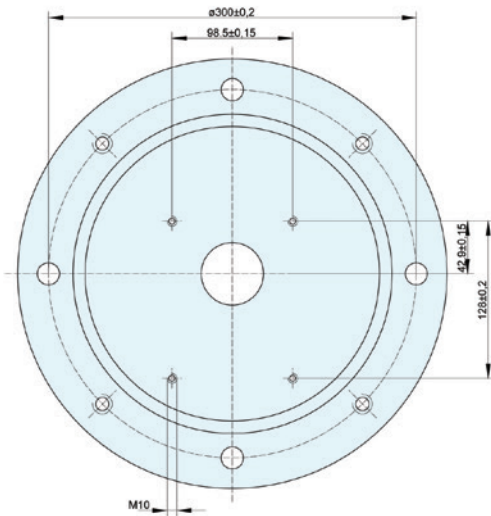
DRAWING KIT NUMBER 15



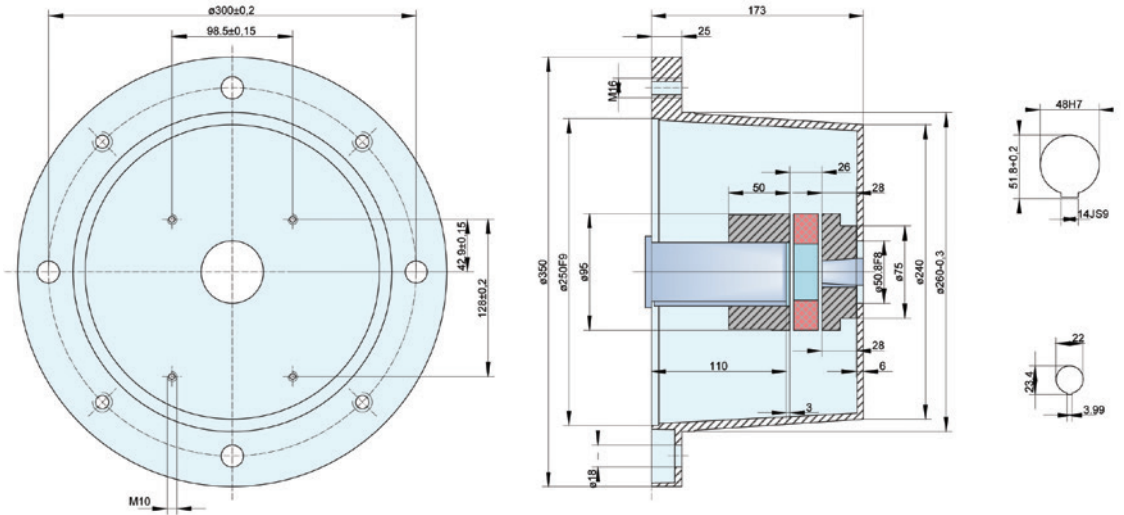
DRAWING KIT NUMBER 16



DRAWING KIT NUMBER 17



DRAWING KIT NUMBER 18



DRAWING KIT NUMBER 19

