

# FLOWFIT HYDRAULIC POWER UNITS

UP100 HYDRAULIC POWER PACKS.....	14	HF500 INSTALLATION AND DRAWING DETAILS .....	38
UP100 POWERUNIT BUILD YOUR OWN .....	15	HF600 350 BAR VARIABLE FLOW HIGH PRESSURE POWER PACKS .....	39
UP100 P+T HYDRAULIC CIRCUIT POWER PACKS.....	18	HF600 INSTALLATION AND DRAWING DETAILS .....	41
UP100 SINGLE ACTING HYDRAULIC CIRCUIT POWER PACKS.....	20	UP50 MINI-FLOW HYDRAULIC POWER PACK .....	42
UP100 DOUBLE ACTING HYDRAULIC CIRCUIT POWER PACKS.....	24	ET-ELECTRIC DC MOTOR PUMP SET .....	44
UP100 12VDC AND 24VDC INSTALLATION AND DRAWING DETAILS .....	27	HF800 HONDA PETROL ENGINE DRIVEN POWER PACK .....	45
UP100 110VAC AND 240VAC INSTALLATION AND DRAWING DETAILS.....	29	HF700 LONCIN PETROL ENGINE DRIVEN POWER PACK .....	47
UP100 415V AC INSTALLATION AND DRAWING DETAILS .....	32	HF900 HATZ DIESEL ENGINE DRIVEN POWER PACK .....	49
HF500 250 BAR INDUSTRIAL POWER PACKS.....	35	CUSTOM BUILT POWER PACK FORM .....	51



# SERIES UP100 HYDRAULIC POWER PACKS



A full range of Flowfit powerunits built to order and held in stock at our warehouse ready for you to collect, all units available in DC and AC combinations.

These units feature a high degree of accuracy and have a wide application range. Bucher Hydraulics power packs are designed according an integrated modular system of valves for the various functions.

This highlights the equipment's compact nature, the foundation of its high performance level.

The basic components of the power packs are:

- a manifold block with cavities for various types of valves
- a very quiet, high-efficiency gear pump
- an electric motor (DC or AC)
- a reservoir (plastic or steel)
- several optional accessories

### Advantages

- Compact and modular construction, limited number of components, quick and easy assembly
- Maximum flexibility – numerous different circuits can be built from just the few basic versions
- Valve cavities conform to international standards
- Optimisation of motor-pump unit produce increased efficiency and low operating noise level



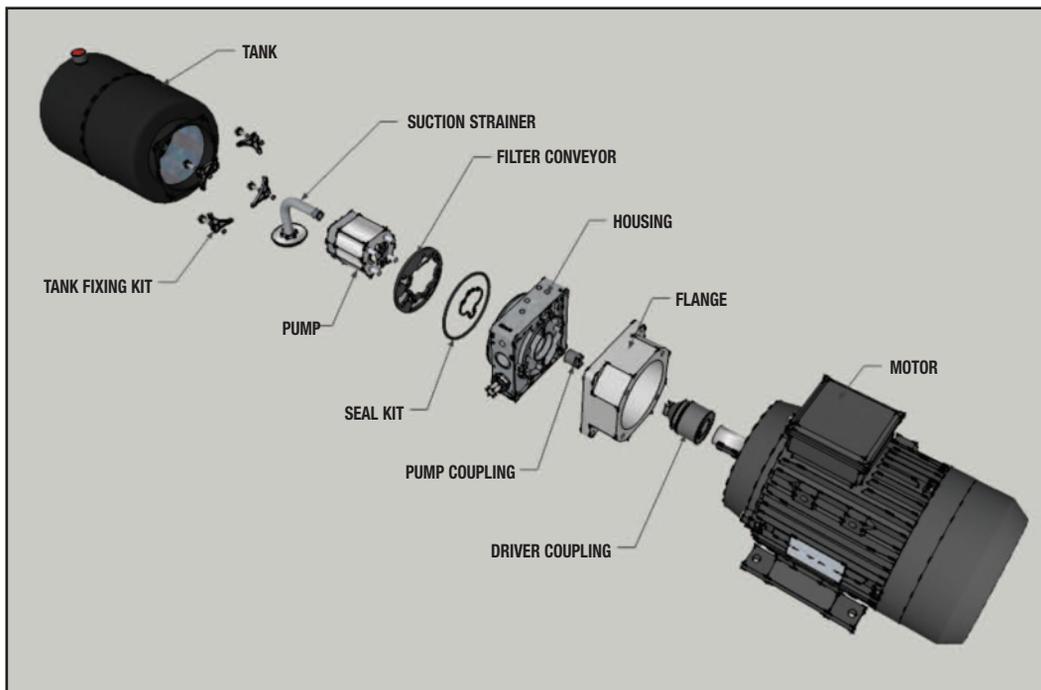
### Applications

- Car lifters
- Lift trucks
- Scissor lifts
- Medical equipment
- Tailift applications
- Lifting platforms
- Equipments for disabled needs
- Automation: opening/closing of swing doors, tailgates, safety locking systems, etc.



	UP50	UP100
cm <sup>3</sup> /rev	0.25 - 2.3	1.2 - 10.0
bar	230	230
kw	0.35 - 2.0	0.8 - 2.0
kw	0.40 - 2.5	1.2 - 3.0
kw	2.0	2.0
kw	0.12 - 0.75	0.25 - 4.0
litre	0.5 - 4.0	1.5 - 18.0

# TYPICAL LAYOUT OF UP100 POWERUNIT



The UP100 series of standard power packs is based on a range of 12vdc, 24vdc, 48vdc, 240v 1 phase and 415v 3 phase motors from 0.37kw to 5.5kw. Supplied fully assembled and tested, these units offer pressures up to 210 bar and flows up to 17lpm. All components in stock ready to assemble for immediate delivery.

A wide range of Compact Industrial hydraulic power packs where space is at a premium.

- Applications
- Automation:  
opening/closing of swing doors
- Barrier controls
- Car lifters
- Demountables
- Equipments for disabled needs
- Lift trucks
- Lifting platforms
- Machine tools
- Medical equipments

*All UP100 assembled powerunits come complete as standard with the following components.*

- Electric motor DC/AC
- Bucher gear pump.
- Bucher central housing.
- Main relief valve
- Check valve
- Drive coupling
- Motor flange
- Suction Filter 216 micron
- Return filter conveyor 150 micron



## TO GENERATE YOUR FULL ORDER NUMBER SELECT THE COSTING CODE OR EACH COMPONENT

### STEP 1



COSTING CODE 12VDC UNIT	FLOW L/MIN	MAX P BAR	MOTOR SIZE KW	MOTOR TYPE	PRICE
12V12	3.7	200	1.7	12VDC	£873.89
12V17	4.9	175	1.7	12VDC	£873.89
12V25	5	150	1.7	12VDC	£873.89
12V35	9.5	100	1.7	12VDC	£873.89
12V43	12	75	1.7	12VDC	£873.89
12V5	13	75	1.7	12VDC	£873.89
12V65	17	50	1.7	12VDC	£873.89
12V8	25	22	1.7	12VDC	£873.89



COSTING CODE 24VDC UNIT	FLOW L/MIN	MAX P BAR	MOTOR SIZE KW	MOTOR TYPE	PRICE
24V12	3.5	200	2.2	24VDC	£899.12
24V17	4.25	200	2.2	24VDC	£899.12
24V25	6	200	2.2	24VDC	£899.12
24V35	7.5	175	2.2	24VDC	£899.12
24V43	8	150	2.2	24VDC	£899.12
24V5	9	125	2.2	24VDC	£899.12
24V65	12.5	100	2.2	24VDC	£899.12
24V8	16	75	2.2	24VDC	£899.12

COSTING CODE AC UNIT	FLOW L/MIN	MAX P BAR	MOTOR SIZE KW	PRICE	PRICE
				240V/AC	415V/AC
AC1	1.68	100	0.37	£576.38	£608.63
AC2	1.68	160	0.55	£627.33	£634.13
AC3	1.68	210	0.75	£644.83	£646.88
AC4	2.38	75	0.37	£576.38	£608.63
AC5	2.38	110	0.55	£627.33	£634.13
AC6	2.38	155	0.75	£644.83	£646.88
AC7	2.38	210	1.1	£705.33	£701.57
AC8	3.5	100	0.75	£644.83	£646.87
AC9	3.5	150	1.1	£705.33	£701.57
AC10	3.5	210	1.5	£765.84	£841.87
AC11	4.9	75	0.75	£988.27	£634.13
AC12	4.9	110	1.1	£703.74	£701.57
AC13	4.9	150	1.5	£765.84	£847.12
AC14	4.9	210	2.2	£877.29	£787.21
AC15	6	90	1.1	£703.74	£701.57
AC16	6	120	1.5	£765.84	£847.12
AC17	6	180	2.2	£877.30	£787.21
AC18	6	210	3	£953.72	£847.12
AC19	7	75	1.1	£703.74	£701.57
AC20	7	100	1.5	£765.84	£847.12
AC21	7	150	2.2	£877.52	£787.21
AC22	7	210	3	£1,010.94	£847.12
AC23	9	80	1.5	£765.84	£847.12
AC24	9	120	2.2	£877.52	£787.21
AC25	9	165	3	£953.70	£847.12
AC26	9	190	4	N/A	£923.89
AC27	11	65	1.5	£765.84	£847.12
AC28	11	100	2.2	£877.30	£787.21
AC29	11	130	3	£952.58	£847.12
AC30	11	180	4	N/A	£923.89
AC31	14	75	2.2	£877.30	£787.21
AC32	14	100	3	£953.72	£847.12
AC33	14	145	4	N/A	£923.89

### EXAMPLE

#### STEP 1 SELECT MOTOR

EG:  
AC1  
£608.63

CONTINUED ON  
NEXT PAGE



### STEP 2

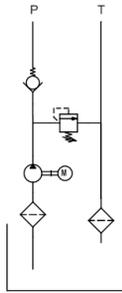
COSTING CODE	MOTOR VOLTAGE	PRICE
3PH	Three phase 415v	£0.00
1PH	One phase 240v	£0.00
1PH110V	One phase 110v	POA
3PH110V	Three phase 110v	POA
PD	Pulley driven c/w 100mm pulley	£278.79
XXX	Not required	£0.00

### STEP 2 SELECT VOLTAGE

EG:  
3PH  
£0.00

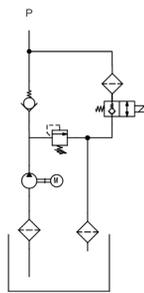
### K1 - TYPICAL CIRCUIT

PRESSURE AND TANK RETURN HYDRAULIC CIRCUIT.



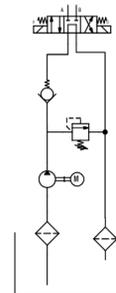
### K3 - TYPICAL CIRCUIT

AC AND DC SINGLE ACTING SOLENOID OPERATED HYDRAULIC CIRCUIT.



### K4 - TYPICAL CIRCUIT

AC DOUBLE ACTING SOLENOID HYDRAULIC CIRCUIT.



### STEP 3 SELECT CIRCUIT

EG:  
K3  
£0.00

### STEP 3

COSTING CODE	CIRCUITS AVAILABLE		PRICE
K1	Single acting circuit	K1 Circuit	£0.00
K3	Double acting circuit.	K3 Circuit	£0.00
K3	P and T ports only circuit.	K3 Circuit	£0.00
K3	Cetop valve circuits	K3 Circuit	£0.00
K4	Lever valve circuits.	K4 Circuit	£0.00

### STEP 4 SELECT MANIFOLD

EG:  
32  
£154.80

### STEP 4

COSTING CODE	MANIFOLDS AVAILABLE	PRICE
31	1 station cetop 3 manifold	£78.33
32	2 station cetop 3 manifold	£154.89
33	3 station cetop 3 manifold	£235.07
XXX	Not required	£0.00

### STEP 5 SELECT MANIFOLD

EG:  
42  
£131.12

### STEP 5

COSTING CODE	MANIFOLD NEEDED	PRICE
42	4210	£131.20
XXX	Not required	£0.00

If using 10 litre reservoir or larger complete with 1-3 station cetop 3 manifold then you need the above manifold. If using 8 litre or smaller reservoir this manifold above is not needed.

### STEP 6 SELECT SOLENOID VALVES

EG:  
NG6D + NG6D  
£173.00+£173.00

### STEP 6

COSTING CODE	SOLENOID VALVES	PRICE
NG6D	NG6 D/ACTING VALVE AC/DC ANY SPOOL	£173.00
NG6S	NG6 S/ACTING VALVE AC/DC ANY SPOOL	£123.90
NOV	NORMALLY OPEN SINGLE ACTING AC/DC	£138.49
NCV	NORMALLY CLOSED SINGLE ACTING AC/DC	£178.56
XX	Not required	£0.00

### STEP 7 SELECT MANUAL VALVES

EG:  
XXX  
£0.00

### STEP 7

COSTING CODE	MANUAL VALVES	PRICE
HD105	1 bank single acting lever valve 3 pos spring return.	£222.31
HD106	1 bank double acting lever valve 3 pos spring return	£300.66
HDS11/2	2 bank double acting lever valve 3 pos spring return	£290.92
HDS11/3	3 bank double acting lever valve 3 pos spring return	£392.28
HDS11/4	4 bank double acting lever valve 3 pos spring return	£497.38
HDS11/5	5 bank double acting lever valve 3 pos spring return	£596.85
HDS11/6	6 bank double acting lever valve 3 pos spring return	£698.21
XXX	Not required	£0.00

CONTINUED ON  
NEXT PAGE





COSTING CODE	RESERVOIRS	PRICE
1.5PH	1.5litre plastic horizontal.	£54.97
2.5PH	2.5litre plastic horizontal.	£58.32
3.5PH	3.5litre plastic horizontal.	£63.78
6PH	6 litre plastic horizontal.	£67.42
5H	5 litre steel horizontal.	£102.04
5V	5 litre steel vertical.	£102.04
8H	8 litre steel horizontal.	£107.52
8V	8 litre steel vertical.	£107.52
10H	10 litre steel horizontal.	£169.45
12V	12 litre steel vertical.	£204.07
15V	15 litre steel vertical.	£244.17
18H	18 litre steel horizontal	£247.82
20V	20 litre steel vertical	£225.95
30V	30 litre steel vertical.	£291.55
55V	55 litre steel vertical	£373.54
75V	72 litre steel vertical.	£422.76
100V	98 litre steel vertical	£499.29
180V	160 litre steel vertical.	£652.37
xxx	No tank required,neck and flange	£16.41



COSTING CODE	ADD ON EXTRAS	PRICE
PG1	PRESSURE GAUGE 0-1000PSI PLUS ISOLATOR	£35.55
PG2	PRESSURE GAUGE 0-2000PSI PLUS ISOLATOR	£35.55
PG3	PRESSURE GAUGE 0-3000PSI PLUS ISOLATOR	£35.55
PG4	PRESSURE GAUGE 0-4000PSI PLUS ISOLATOR	£35.55
SMB	Steel mounting bracket for fitting to central housing.	£17.31
DCM	Plastic motor cover for DC motors.	£35.55
XXX	Not required	£0.00
PLUG	13 Amp plug c/w 2 metre cable	£51.09

COSTING CODE	ADD ON EXTRAS	PRICE
EHP	Emergency handpump 1.5cc/rev fitted to housing K1 + K4	£71.06
EHP1	Emergency handpump 1.5cc/rev fitted to housing K3	£134.83
XXX	Not required	£0.00

ALL POWER PACKS ARE FULLY ASSEMBLED AND TESTED. ISSUED WITH 12 MONTHS WARRANTY FROM INVOICE DATE

COSTING CODE	AC RANGE AIR BLOWN OIL COOLER	PRICE
COOLER	AC range air blown oil cooler	Dependent on application

### ★★ PRICE PROMISE ★★

Need more equipment on your power unit. Just select the items you need from our catalogue, add them to your powerpack and take off the relevant discount to arrive at your nett price.

#### APPLICATIONS:

- Mobile stationary equipment
- Safety Locking systems
- Scissor lifts
- Snowploughs
- Tipper
- Truck cranes
- Truck tailgate lifts
- Tyre removal machines
- Wood working machines

#### BENEFITS:

- Compact and modular construction, limited number of components, quick and easy assembly
- Maximum flexibility – numerous different circuits can be built from just the few basic versions
- Valve cavities conform to international standards
- Optimisation of motor-pump unit has produced increased efficiency and low operating noise level



#### STEP 8 SELECT RESERVOIR

EG:  
8H  
£107.52

#### STEP 9 SELECT EXTRAS

EG:  
PG1  
£35.55

FULL ORDER NUMBER  
FOR EXAMPLE SHOWN  
**AC1-3PH-K3-32  
NG6D-NG6D-XXX-8H-PG1**

TOTAL COST OF  
EXAMPLE SHOWN  
**£1383.64**

**b** BUCHER  
HYDRAULICS

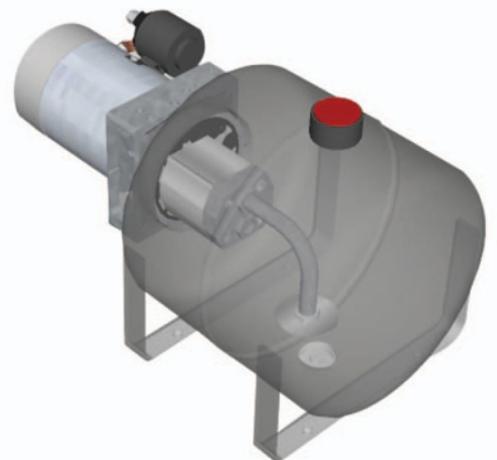
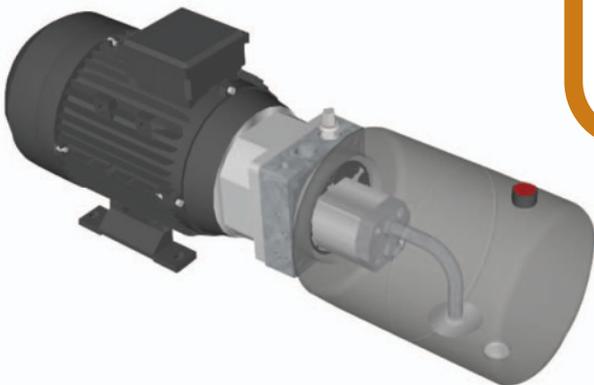
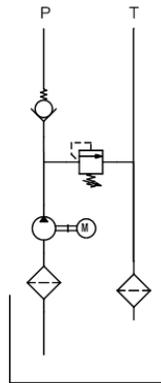
**UP100 READY BUILT IN STOCK**

# P+T CIRCUIT

**IDEAL IF ALL YOU NEED IS FLOW/PRESSURE  
WITH TANK RETURN**



PRESSURE AND TANK  
RETURN HYDRAULIC  
CIRCUIT.





12VDC		P + T PORTS ONLY				
PT NO	KW	FLOW L/MIN	MAX P BAR	RESERVOIR SIZE LITRE	MOTOR TYPE	LIST PRICE
ZZ001469	1.7	3.7	200	5 litre horizontal	12VDC	£865.47
ZZ001470	1.7	3.7	200	8 litre horizontal	12VDC	£877.49
ZZ001471	1.7	4.9	175	8 litre horizontal	12VDC	£877.49
ZZ001472	1.7	4.9	175	10 litre horizontal	12VDC	£926.77
ZZ001473	1.7	9.5	100	15 litre vertical	12VDC	£1007.31
ZZ001474	1.7	9.5	100	18 litre horizontal	12VDC	£1015.72



24VDC		P + T PORTS ONLY				
PT NO	KW	FLOW L/MIN	MAX P BAR	RESERVOIR SIZE LITRE	MOTOR TYPE	LIST PRICE
ZZ001475	2.2	3.5	200	5 litre horizontal	24VDC	£865.47
ZZ001476	2.2	3.5	200	8 litre horizontal	24VDC	£877.49
ZZ001477	2.2	4.25	200	8 litre horizontal	24VDC	£877.49
ZZ001478	2.2	4.25	200	10 litre horizontal	24VDC	£927.33
ZZ001479	2.2	7.5	175	15 litre vertical	24VDC	£1007.31
ZZ001480	2.2	7.5	175	18 litre horizontal	24VDC	£1015.72



110VAC		50HZ 1 PHASE P + T PORTS ONLY					
PT NO	KW	HP	FLOW L/MIN	MAX P BAR	RESERVOIR SIZE LITRE	MOTOR TYPE	LIST PRICE
ZZ001481	0.75	1	1.68	210	5 litre horizontal	110VAC	£857.05
ZZ001482	1.1	1.5	2.38	210	5 litre horizontal	110VAC	£943.60
ZZ001483	1.5	2	3.5	210	8 litre horizontal	110VAC	£960.43
ZZ001484	2.2	3	4.9	210	8 litre horizontal	110VAC	£1212.86
ZZ001485	3	4	6	210	10 litre horizontal	110VAC	£1387.16



240VAC		50HZ 1 PHASE P + T PORTS ONLY					
PT NO	KW	HP	FLOW L/MIN	MAX P BAR	RESERVOIR SIZE LITRE	MOTOR TYPE	LIST PRICE
ZZ001486	0.75	1	1.68	210	5 litre horizontal	240VAC	£786.14
ZZ001487	1.1	1.5	2.38	210	5 litre horizontal	240VAC	£855.85
ZZ001488	1.5	2	3.5	210	8 litre horizontal	240VAC	£941.20
ZZ001489	2.2	3	4.9	210	8 litre horizontal	240VAC	£1139.53
ZZ001490	3	4	6	210	10 litre horizontal	240VAC	£1223.67



415VAC		50HZ 3 PHASE P + T PORTS ONLY					
PT NO	KW	HP	FLOW L/MIN	MAX P BAR	RESERVOIR SIZE LITRE	MOTOR TYPE	LIST PRICE
ZZ001491	0.75	1	1.68	210	5 litre horizontal	415VAC	£662.32
ZZ001492	1.1	1.5	2.38	210	5 litre horizontal	415VAC	£698.38
ZZ001493	1.5	2	3.5	210	8 litre horizontal	415VAC	£751.28
ZZ001494	2.2	3	4.9	210	8 litre horizontal	415VAC	£798.16
ZZ001495	3	4	6	210	10 litre horizontal	415VAC	£955.62
ZZ001496	4	5.3	9.7	210	15 litre horizontal	415VAC	£1120.30



PETROL		LONCIN P + T PORTS ONLY							
PT NO	ENGINE TYPE	KW 3600 RPM	HP 3600 RPM	FLOW RATE + MAX PSI	ENGINE START	PUMP TYPE	OIL ALERT YES/NO	DIMENSION L X W XH (MM)	LIST PRICE
ZZ001624	Loncin	4.8	6.5	11.5 L/MIN @ 2900 PSI/200 BAR	Pull	Gear	yes	1015 x 385 x 600	£2043.47
ZZ001625	Loncin	6.7	9	15.8 L/MIN @ 2900 PSI/200 BAR	Pull	Gear	yes	1015 x 385 x 600	£2259.84
ZZ001626	Loncin	9.6	13	24 L/MIN @ 2900 PSI/200 BAR	Pull	Gear	yes	1015 x 385 x 600	£2343.98



DIESEL		HATZ P + T PORTS ONLY							
PT NO	ENGINE TYPE	KW 3000 RPM	HP 3000 RPM	FLOW RATE + MAX PSI	ENGINE START	PUMP TYPE	OIL ALERT YES/NO	DIMENSION L X W XH (MM)	LIST PRICE
ZZ001422	Hatz	7.4	10	18 L/MIN @ 2900 PSI/200 BAR	Electric start Manual stop	Gear	yes	1015 x 385 x 600	£5,288.98
ZZ001627	Hatz	14.7	19.7	36 L/MIN @ 2900 PSI/200 BAR	Electric start Manual stop	Gear	yes	1015 X 385 X 600	£9,616.32



BELT DRIVEN		P + T PORTS ONLY				
PT NO	PUMP FLOW AT 1000 L/MIN	PUMP FLOW AT 3600RPM	MAX P BAR	RESERVOIR SIZE LITRE	LIST PRICE	
ZZ001621	1.2	4.3	210	8 Horizontal	£720.03	
ZZ001622	2.5	9	210	15 Horizontal	£849.84	
ZZ001623	3.5	12.6	210	18 Horizontal	£873.89	

Higher flows and larger electric motors and engines available upon request please contact the sales team.

For all Powerpack dimensions see pages 27 – 34

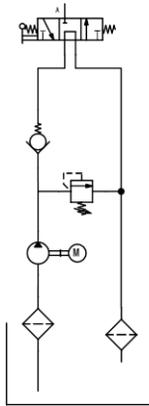
**UP100 READY BUILT IN STOCK**

# SINGLE ACTING CIRCUIT

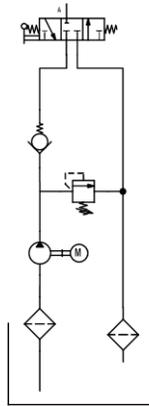
**IDEAL FOR OPERATING A  
SINGLE ACTING CYLINDER**



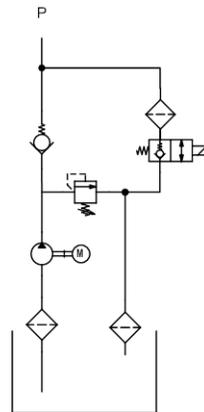
AC MANUAL SINGLE ACTING  
HYDRAULIC CIRCUIT .



DC MANUAL SINGLE ACTING  
HYDRAULIC CIRCUIT .



AC AND DC SINGLE ACTING  
SOLENOID OPERATED  
HYDRAULIC CIRCUIT.





# SINGLE ACTING HYDRAULIC POWERUNIT PACKAGE

**TO OPERATE A SINGLE ACTING CYLINDER ON ANY TRAILER OR TIPPER APPLICATIONS COMPLETE WITH TWO BUTTON PENDENT**

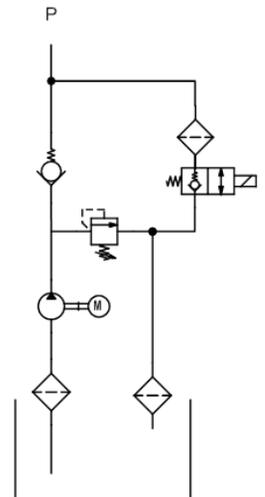
## 12VDC



- 12vdc powerunit.
- 2.1cc/rev gear pump.
- 1.6kw 12vdc electric motor c/w relay and plastic motor cover.
- 4.3 litre reservoir c/w drain plug.
- Reservoir c/w suction strainer, return oil conveyor and filler breather

- Horizontal mounting Max pressure 220 bar.
- Max flow 4 l/min at 220 bar.
- Main relief valve adjustable from 50 - 220 bar.
- 12vdc let down valve, relief and P line check.
- Suitable for all single acting applications.
- 2 Button pendent on a 4 metre lead.

AC AND DC SINGLE ACTING SOLENOID OPERATED HYDRAULIC CIRCUIT.



PT NO	FLOW L/MIN	MAX P BAR	MOTOR SIZE KW	MOTOR TYPE	LIST PRICE
ZZ001974	4	220	1.6	12VDC	£265.00

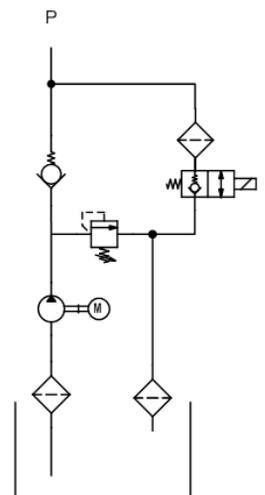
## 24VDC



- 24vdc powerunit.
- 2.1cc/rev gear pump.
- 2kw 24vdc electric motor c/w relay and plastic motor cover.
- 4.3 litre reservoir c/w drain plug.
- Reservoir c/w suction strainer, return oil conveyor and filler breather

- Horizontal mounting Max pressure 220 bar.
- Max flow 4 l/min at 220 bar.
- Main relief valve adjustable from 50 - 220 bar.
- 24vdc let down valve, relief and P line check.
- Suitable for all single acting applications.
- 2 Button pendent on a 4 metre lead.

AC AND DC SINGLE ACTING SOLENOID OPERATED HYDRAULIC CIRCUIT.



PT NO	FLOW L/MIN	MAX P BAR	MOTOR SIZE KW	MOTOR TYPE	LIST PRICE
ZZ001648	4	220	2	24VDC	£265.00



12VDC		SINGLE ACTING SOLENOID OPERATED				
PT NO	KW	FLOW L/MIN	MAX P BAR	RESERVOIR SIZE LITRE	MOTOR TYPE	LIST PRICE
ZZ001497	1.7	3.7	200	5 litre horizontal	12VDC	£894.73
ZZ001498	1.7	3.7	200	8 litre horizontal	12VDC	£906.07
ZZ001499	1.7	4.9	175	8 litre horizontal	12VDC	£908.33
ZZ001500	1.7	4.9	175	10 litre horizontal	12VDC	£961.63
ZZ001501	1.7	9.5	100	15 litre vertical	12VDC	£1028.54
ZZ001502	1.7	9.5	100	18 litre horizontal	12VDC	£1051.22



12VDC		SINGLE ACTING MANUAL LEVER OPERATED				
PT NO	KW	FLOW L/MIN	MAX P BAR	RESERVOIR SIZE LITRE	MOTOR TYPE	LIST PRICE
ZZ001503	1.7	3.7	200	5 litre horizontal	12VDC	£1029.67
ZZ001504	1.7	3.7	200	8 litre horizontal	12VDC	£1041.01
ZZ001505	1.7	4.9	175	8 litre horizontal	12VDC	£1043.28
ZZ001506	1.7	4.9	175	10 litre horizontal	12VDC	£1096.58
ZZ001507	1.7	9.5	100	15 litre vertical	12VDC	£1164.62
ZZ001508	1.7	9.5	100	18 litre horizontal	12VDC	£1187.30



24VDC		SINGLE ACTING SOLENOID OPERATED				
PT NO	KW	FLOW L/MIN	MAX P BAR	RESERVOIR SIZE LITRE	MOTOR TYPE	LIST PRICE
ZZ001509	2.2	3.5	200	5 litre horizontal	24VDC	£897.00
ZZ001510	2.2	3.5	200	8 litre horizontal	24VDC	£909.47
ZZ001511	2.2	4.25	200	8 litre horizontal	24VDC	£911.74
ZZ001512	2.2	4.25	200	10 litre horizontal	24VDC	£963.90
ZZ001513	2.2	7.5	175	15 litre vertical	24VDC	£1036.48
ZZ001514	2.2	7.5	175	18 litre horizontal	24VDC	£1059.16



24VDC		24VDC SINGLE ACTING MANUAL LEVER OPERATED				
PT NO	KW	FLOW L/MIN	MAX P BAR	RESERVOIR SIZE LITRE	MOTOR TYPE	LIST PRICE
ZZ001515	2.2	3.5	200	5 litre horizontal	24VDC	£1032.00
ZZ001516	2.2	3.5	200	8 litre horizontal	24VDC	£1043.28
ZZ001517	2.2	4.25	200	8 litre horizontal	24VDC	£1043.28
ZZ001518	2.2	4.25	200	10 litre horizontal	24VDC	£1097.71
ZZ001519	2.2	7.5	175	15 litre vertical	24VDC	£1164.62
ZZ001523	2.2	7.5	175	18 litre horizontal	24VDC	£1187.30



110VAC		50HZ 1 PHASE SINGLE ACTING SOLENOID OPERATED					
PT NO	KW	HP	FLOW L/MIN	MAX P BAR	RESERVOIR SIZE LITRE	MOTOR TYPE	LIST PRICE
ZZ001524	0.75	1	1.68	210	5 litre horizontal	110VAC	£870.91
ZZ001525	1.1	1.5	2.38	210	5 litre horizontal	110VAC	£1009.26
ZZ001526	1.5	2	3.5	210	8 litre horizontal	110VAC	£1050.08
ZZ001527	2.2	3	4.9	210	8 litre horizontal	110VAC	£1177.09
ZZ001528	3	4	6	210	10 litre horizontal	110VAC	£1317.71



110VAC		50HZ 1 PHASE SINGLE ACTING MANUAL LEVER OPERATED					
PT NO	KW	HP	FLOW L/MIN	MAX P BAR	RESERVOIR SIZE LITRE	MOTOR TYPE	LIST PRICE
ZZ001529	0.75	1	1.68	210	5 litre horizontal	110VAC	£971.84
ZZ001530	1.1	1.5	2.38	210	5 litre horizontal	110VAC	£1052.35
ZZ001531	1.5	2	3.5	210	8 litre horizontal	110VAC	£1139.67
ZZ001532	2.2	3	4.9	210	8 litre horizontal	110VAC	£1299.56
ZZ001533	3	4	6	210	10 litre horizontal	110VAC	£1403.89



240VAC		50HZ 1 PHASE SINGLE ACTING SOLENOID OPERATED					
PT NO	KW	HP	FLOW L/MIN	MAX P BAR	RESERVOIR SIZE LITRE	MOTOR TYPE	LIST PRICE
ZZ001534	0.75	1	1.68	210	5 litre horizontal	240VAC	£804.01
ZZ001535	1.1	1.5	2.38	210	5 litre horizontal	240VAC	£868.64
ZZ001536	1.5	2	3.5	210	8 litre horizontal	240VAC	£1050.08
ZZ001537	2.2	3	4.9	210	8 litre horizontal	240VAC	£1136.27
ZZ001538	3	4	6	210	10 litre horizontal	240VAC	£1162.35



240VAC		50HZ 1 PHASE SINGLE ACTING MANUAL LEVER OPERATED					
PT NO	KW	HP	FLOW L/MIN	MAX P BAR	RESERVOIR SIZE LITRE	MOTOR TYPE	LIST PRICE
ZZ001539	0.75	1	1.68	210	5 litre horizontal	240VAC	£959.23
ZZ001540	1.1	1.5	2.38	210	5 litre horizontal	240VAC	£1028.94
ZZ001541	1.5	2	3.5	210	8 litre horizontal	240VAC	£1101.06
ZZ001542	2.2	3	4.9	210	8 litre horizontal	240VAC	£1301.81
ZZ001543	3	4	6	210	10 litre horizontal	240VAC	£1324.65



415VAC		50HZ 3 PHASE SINGLE ACTING SOLENOID OPERATED					
PT NO	KW	HP	FLOW L/MIN	MAX P BAR	RESERVOIR SIZE LITRE	MOTOR TYPE	LIST PRICE
ZZ001544	0.75	1	1.68	210	5 litre horizontal	415VAC	£756.09
ZZ001545	1.1	1.5	2.38	210	5 litre horizontal	415VAC	£784.93
ZZ001546	1.5	2	3.5	210	8 litre horizontal	415VAC	£837.82
ZZ001547	2.2	3	4.9	210	8 litre horizontal	415VAC	£883.50
ZZ001548	3	4	6	210	10 litre horizontal	415VAC	£965.24
ZZ002674	1.1	1.5	6.48	210	12 litre vertical	415 VAC	£913.55
ZZ001549	4	5.3	9.7	210	15 litre vertical	415VAC	£1080.64



415VAC		50HZ 3 PHASE SINGLE ACTING MANUAL LEVER OPERATED					
PT NO	KW	HP	FLOW L/MIN	MAX P BAR	RESERVOIR SIZE LITRE	MOTOR TYPE	LIST PRICE
ZZ001550	0.75	1	1.68	210	5 Horizontal	415VAC	£843.83
ZZ001551	1.1	1.5	2.38	210	5 Horizontal	415VAC	£871.48
ZZ001552	1.5	2	3.5	210	8 Horizontal	415VAC	£911.14
ZZ001553	2.2	3	4.9	210	8 Horizontal	415VAC	£959.23
ZZ001554	3	4	6	210	10 Horizontal	415VAC	£1057.80
ZZ001555	4	5.3	9.7	210	15 Vertical	415VAC	£1152.76



PETROL		SINGLE ACTING POWERUNIT							
PT NO	ENGINE TYPE	KW 3600 RPM	HP 3600 RPM	FLOW RATE + MAX PSI	ENGINE START	PUMP TYPE	OIL ALERT YES/NO	DIMENSION L X W XH (MM)	LIST PRICE
ZZ001362	Loncin	4.8	6.5	11.5 L/MIN @ 2900 PSI/200 BAR	Pull	Gear	yes	1015 x 385 x 600	£2043.47
ZZ001363	Loncin	6.7	9	15.8 L/MIN @ 2900 PSI/200 BAR	Pull	Gear	yes	1015 x 385 x 600	£2259.84
ZZ001364	Loncin	9.6	13	24 L/MIN @ 2900 PSI/200 BAR	Pull	Gear	yes	1015 x 385 x 600	£2343.98



DIESEL		SINGLE ACTING POWERUNIT							
PT NO	ENGINE TYPE	KW 3000 RPM	HP 3000 RPM	FLOW RATE + MAX PSI	ENGINE START	PUMP TYPE	OIL ALERT YES/NO	DIMENSION L X W XH (MM)	LIST PRICE
ZZ001422	Hatz	7.4	10	18 L/MIN @ 2900 PSI/200 BAR	Electric start Manual stop	Gear	yes	1015 x 385 x 600	£5288.98
ZZ001628	Hatz	14.7	19.7	36 L/MIN @ 2900 PSI/200 BAR	Electric start Manual stop	Gear	yes	1015 X 385 X 600	£9616.32



BELT DRIVEN		SINGLE ACTING POWERUNIT SOLENOID RELEASE				
PT NO	PUMP FLOW AT 1000RPM L/MIN	PUMP FLOW AT 3600RPM	MAX P BAR	RESERVOIR SIZE LITRE	LIST PRICE	
ZZ001630	1.2	4.3	210	8 Horizontal	£884.70	
ZZ001631	2.5	9	210	15 Vertical	£1014.53	
ZZ001632	3.5	12.6	210	18 Horizontal	£1040.96	



BELT DRIVEN		SINGLE ACTING POWERUNIT MANUAL LEVER RELEASE				
PT NO	PUMP FLOW AT 1000RPM L/MIN	PUMP FLOW AT 3600RPM	MAX P BAR	RESERVOIR SIZE LITRE	LIST PRICE	
ZZ001634	1.2	4.3	210	8 Horizontal	£905.13	
ZZ001635	2.5	9	210	15 Vertical	£1031.35	
ZZ001636	3.5	12.6	210	18 Horizontal	£1043.37	

**Higher flows and larger electric motors and engines available upon request please contact the sales team.**

**For all Powerpack dimensions see pages 27 – 34**

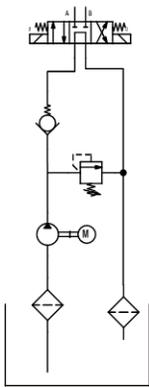
**UP100 READY BUILT IN STOCK**

# DOUBLE ACTING CIRCUIT

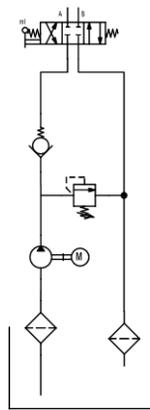
IDEAL FOR OPERATING A DOUBLE ACTING CIRCUIT,  
OR A HYDRAULIC MOTOR.



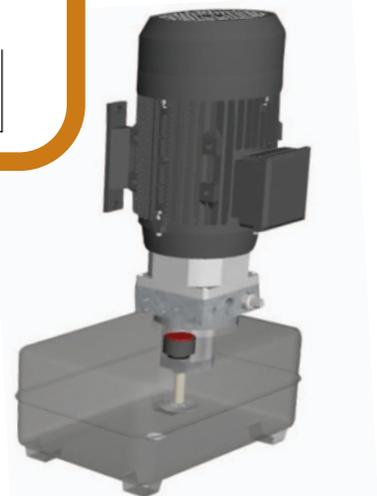
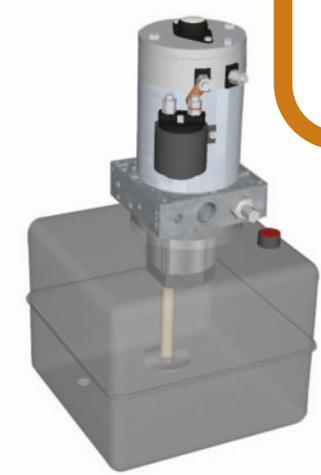
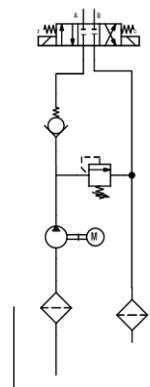
AC DOUBLE ACTING SOLENOID HYDRAULIC CIRCUIT.



DC MANUAL DOUBLE ACTING HYDRAULIC CIRCUIT.



DC DOUBLE ACTING SOLENOID HYDRAULIC CIRCUIT.





12VDC		DOUBLE ACTING SOLENOID OPERATED				
PT NO	KW	FLOW L/MIN	MAX P BAR	RESERVOIR SIZE LITRE	MOTOR TYPE	LIST PRICE
ZZ001556	1.7	3.7	200	5 litre horizontal	12VDC	£1081.84
ZZ001557	1.7	3.7	200	8 litre horizontal	12VDC	£1208.05
ZZ001558	1.7	4.9	175	8 litre horizontal	12VDC	£1210.46
ZZ001559	1.7	4.9	175	10 litre horizontal	12VDC	£1264.55
ZZ001560	1.7	9.5	100	15 litre vertical	12VDC	£1335.46
ZZ001561	1.7	9.5	100	18 litre horizontal	12VDC	£1355.90



12VDC		DOUBLE ACTING MANUAL LEVER OPERATED				
PT NO	KW	FLOW L/MIN	MAX P BAR	RESERVOIR SIZE LITRE	MOTOR TYPE	LIST PRICE
ZZ001562	1.7	3.7	200	5 litre horizontal	12VDC	£1091.45
ZZ001563	1.7	3.7	200	8 litre horizontal	12VDC	£1103.47
ZZ001564	1.7	4.9	175	8 litre horizontal	12VDC	£1105.88
ZZ001565	1.7	4.9	175	10 litre horizontal	12VDC	£1161.17
ZZ001566	1.7	9.5	100	15 litre vertical	12VDC	£1232.09
ZZ001567	1.7	9.5	100	18 litre horizontal	12VDC	£1260.94



24VDC		DOUBLE ACTING SOLENOID OPERATED				
PT NO	KW	FLOW L/MIN	MAX P BAR	RESERVOIR SIZE LITRE	MOTOR TYPE	LIST PRICE
ZZ001568	2.2	3.5	200	5 litre horizontal	24VDC	£1103.47
ZZ001569	2.2	3.5	200	8 litre horizontal	24VDC	£1228.49
ZZ001570	2.2	4.25	200	8 litre horizontal	24VDC	£1254.93
ZZ001571	2.2	4.25	200	10 litre horizontal	24VDC	£1291.00
ZZ001572	2.2	7.5	175	15 litre vertical	24VDC	£1355.90
ZZ001573	2.2	7.5	175	18 litre horizontal	24VDC	£1390.76



24VDC		DOUBLE ACTING MANUAL LEVER OPERATED				
PT NO	KW	FLOW L/MIN	MAX P BAR	RESERVOIR SIZE LITRE	MOTOR TYPE	LIST PRICE
ZZ001574	2.2	3.5	200	5 litre horizontal	24VDC	£1092.66
ZZ001575	2.2	3.5	200	8 litre horizontal	24VDC	£1098.67
ZZ001584	2.2	4.25	200	8 litre horizontal	24VDC	£1098.67
ZZ001585	2.2	4.25	200	10 litre horizontal	24VDC	£1159.97
ZZ001586	2.2	7.5	175	15 litre vertical	24VDC	£1234.50
ZZ001587	2.2	7.5	175	18 litre horizontal	24VDC	£1239.30



110VAC		50HZ 1 PHASE DOUBLE ACTING SOLENOID OPERATED					
PT NO	KW	HP	FLOW L/MIN	MAX P BAR	RESERVOIR SIZE LITRE	MOTOR TYPE	LIST PRICE
ZZ001588	0.75	1	1.68	210	5 litre horizontal	110VAC	£1003.70
ZZ001589	1.1	1.5	2.38	210	5 litre horizontal	110VAC	£1089.04
ZZ001590	1.5	2	3.5	210	8 litre horizontal	110VAC	£1191.22
ZZ001591	2.2	3	4.9	210	8 litre horizontal	110VAC	£1336.67
ZZ001592	3	4	6	210	10 litre horizontal	110VAC	£1530.19



110VAC		50HZ 1 PHASE DOUBLE ACTING MANUAL LEVER OPERATED					
PT NO	KW	HP	FLOW L/MIN	MAX P BAR	RESERVOIR SIZE LITRE	MOTOR TYPE	LIST PRICE
ZZ001593	0.75	1	1.68	210	5 litre horizontal	110VAC	£1034.95
ZZ001594	1.1	1.5	2.38	210	5 litre horizontal	110VAC	£1075.71
ZZ001595	1.5	2	3.5	210	8 litre horizontal	110VAC	£1222.48
ZZ001596	2.2	3	4.9	210	8 litre horizontal	110VAC	£1356.81
ZZ001597	3	4	6	210	10 litre horizontal	110VAC	£1580.68



240VAC		240VAC 50HZ 1 PHASE DOUBLE ACTING SOLENOID OPERATED					
PT NO	KW	HP	FLOW L/MIN	MAX P BAR	RESERVOIR SIZE LITRE	MOTOR TYPE	LIST PRICE
ZZ001598	0.75	1	1.68	210	5 litre horizontal	240VAC	£1007.31
ZZ001599	1.1	1.5	2.38	210	5 litre horizontal	240VAC	£1117.90
ZZ001600	1.5	2	3.5	210	8 litre horizontal	240VAC	£1158.77
ZZ001601	2.2	3	4.9	210	8 litre horizontal	240VAC	£1359.50
ZZ001602	3	4	6	210	10 litre horizontal	240VAC	£1602.32



240VAC		50HZ 1 PHASE DOUBLE ACTING MANUAL LEVER OPERATED					
PT NO	KW	HP	FLOW L/MIN	MAX P BAR	RESERVOIR SIZE LITRE	MOTOR TYPE	LIST PRICE
ZZ001603	0.75	1	1.68	210	5 litre horizontal	240VAC	£964.04
ZZ001604	1.1	1.5	2.38	210	5 litre horizontal	240VAC	£1074.63
ZZ001605	1.5	2	3.5	210	8 litre horizontal	240VAC	£1115.04
ZZ001606	2.2	3	4.9	210	8 litre horizontal	240VAC	£1315.04
ZZ001607	3	4	6	210	10 litre horizontal	240VAC	£1408.79



415VAC		50HZ 3 PHASE DOUBLE ACTING SOLENOID OPERATED					
PT NO	KW	HP	FLOW L/MIN	MAX P BAR	RESERVOIR SIZE LITRE	MOTOR TYPE	LIST PRICE
ZZ001608	0.75	1	1.68	210	5 litre horizontal	415VAC	£816.20
ZZ001609	1.1	1.5	2.38	210	5 litre horizontal	415VAC	£1037.95
ZZ001610	1.5	2	3.5	210	8 litre horizontal	415VAC	£895.52
ZZ001611	2.2	3	4.9	210	8 litre horizontal	415VAC	£941.20
ZZ001612	3	4	6	210	10 litre horizontal	415VAC	£1099.87
ZZ002674	1.1	1.5	6.48	210	12 litre horizontal	415VAC	£913.55
ZZ001613	4	5.3	9.7	210	15 litre vertical	415VAC	£1266.95



415VAC		50HZ 3 PHASE DOUBLE ACTING MANUAL LEVER OPERATED					
PT NO	KW	HP	FLOW L/MIN	MAX P BAR	RESERVOIR SIZE LITRE	MOTOR TYPE	LIST PRICE
ZZ001614	0.75	1	1.68	210	5 litre horizontal	415VAC	£847.44
ZZ001615	1.1	1.5	2.38	210	5 litre horizontal	415VAC	£876.29
ZZ001616	1.5	2	3.5	210	8 litre horizontal	415VAC	£885.91
ZZ001617	2.2	3	4.9	210	8 litre horizontal	415VAC	£972.45
ZZ001618	3	4	6	210	10 litre horizontal	415VAC	£1145.54
ZZ001619	4	5.3	9.7	210	15 litre vertical	415VAC	£1356.19



PETROL		DOUBLE ACTING POWERUNIT							
PT NO	ENGINE TYPE	KW 3600 RPM	HP 3600 RPM	FLOW RATE + MAX PSI	ENGINE START	PUMP TYPE	OIL ALERT YES/NO	DIMENSION L X W XH (MM)	LIST PRICE
ZZ001637	Loncin	4.8	6.5	11.5 L/MIN @ 2900 PSI/200 BAR	Pull	Gear	yes	1015 x 385 x 600	£2043.47
ZZ001638	Loncin	6.7	9	15.8 L/MIN @ 2900 PSI/200 BAR	Pull	Gear	yes	1015 x 385 x 600	£2259.84
ZZ001639	Loncin	9.6	13	24 L/MIN @ 2900 PSI/200 BAR	Pull	Gear	yes	1015 x 385 x 600	£2343.98



DIESEL		DOUBLE ACTING POWERUNIT							
PT NO	ENGINE TYPE	KW 3000 RPM	HP 3000 RPM	FLOW RATE + MAX PSI	ENGINE START	PUMP TYPE	OIL ALERT YES/NO	DIMENSION L X W XH (MM)	LIST PRICE
ZZ001422	Hatz	7.4	10	18 L/MIN @ 2900 PSI/200 BAR	Electric start Manual stop	Gear	yes	1015 x 385 x 600	£5,288.98
ZZ001640	Hatz	14.7	19.7	36 L/MIN @ 2900 PSI/200 BAR	Electric start Manual stop	Gear	yes	1015 X 385 X 600	£9,616.32



BELT DRIVEN		DOUBLE ACTING SOLENOID POWERUNIT				
PT NO		PUMP FLOW AT 1000RPM L/MIN	PUMP FLOW AT 3600RPM	MAX P BAR	RESERVOIR SIZE LITRE	LIST PRICE
ZZ001641		1.2	4.3	210	8 Horizontal	£858.26
ZZ001642		2.5	9	210	15 Horizontal	£983.27
ZZ001643		3.5	12.6	210	18 Horizontal	£1000.10

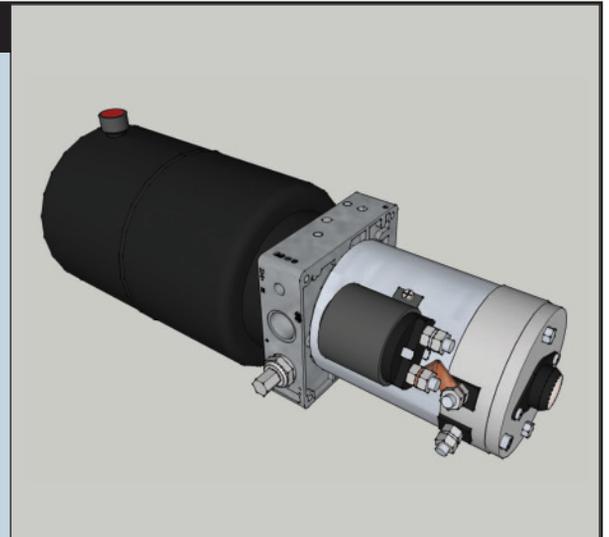
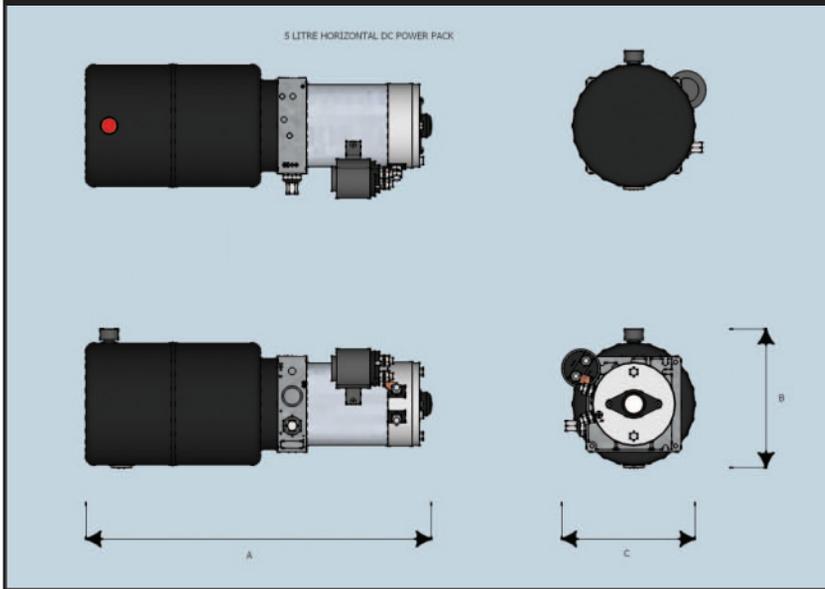


BELT DRIVEN		DOUBLE ACTING MANUAL LEVER POWERUNIT				
PT NO		PUMP FLOW AT 1000RPM L/MIN	PUMP FLOW AT 3600RPM	MAX P BAR	RESERVOIR SIZE LITRE	LIST PRICE
ZZ001644		1.2	4.3	210	8 Horizontal	£903.94
ZZ001645		2.5	9	210	15 horizontal	£1015.72
ZZ001646		3.5	12.6	210	18 Horizontal	£1047.67

**Higher flows and larger electric motors and engines available upon request please contact the sales team.**

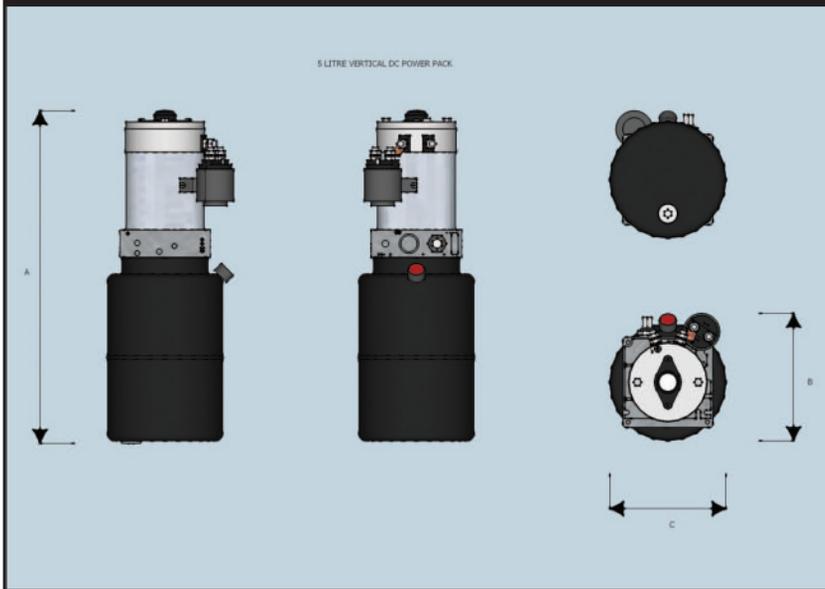
**For all Powerpack dimensions see pages 27 – 34**

## 12 Volt DC and 24 Volt DC Power Pack Dimensions



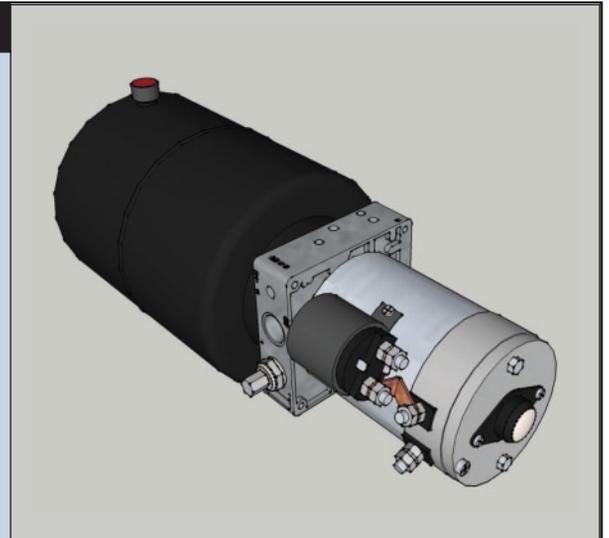
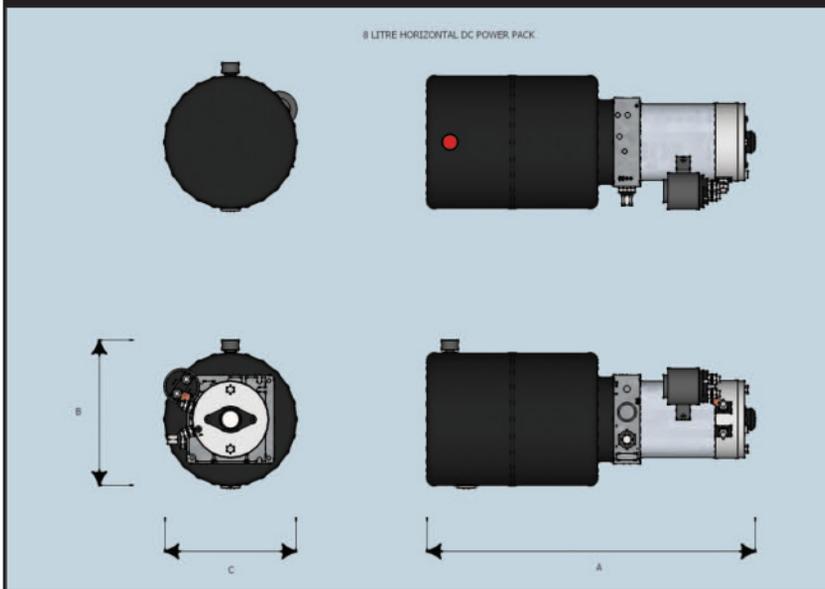
Tank Capacity	5 Litre Horizontal Tank		
	A	B	C
5ltr	489mm	195mm	190mm

## 12 Volt DC and 24 Volt DC Power Pack Dimensions



Tank Capacity	5 Litre Vertical Tank		
	A	B	C
5ltr	489mm	188mm	170mm

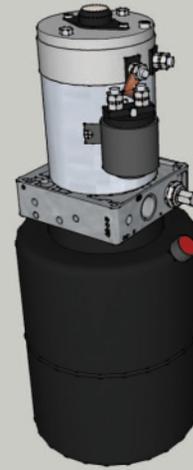
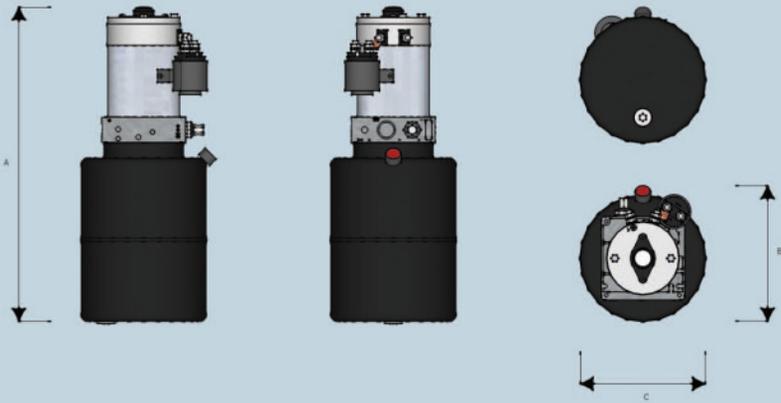
## 12 Volt DC and 24 Volt DC Power Pack Dimensions



Tank Capacity	8 Litre Horizontal Tank		
	A	B	C
8ltr	504mm	228mm	200mm

12 Volt DC and 24 Volt DC Power Pack Dimensions

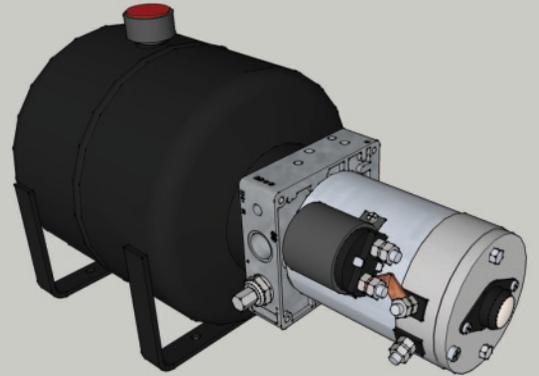
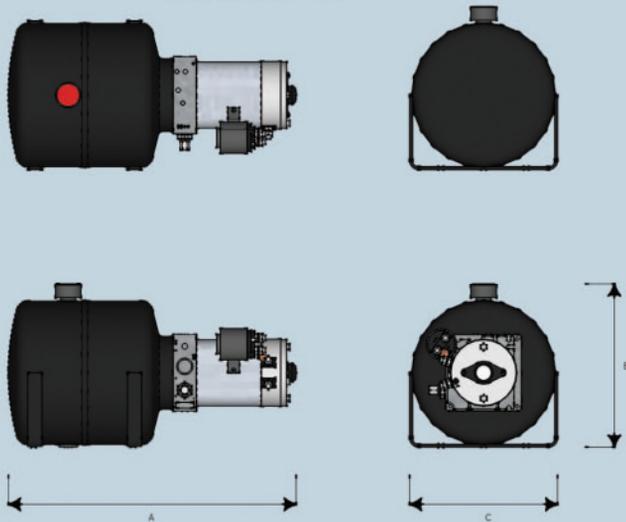
8 LITRE VERTICAL DC POWER PACK



Tank Capacity	8 Litre Vertical Tank		
	A	B	C
8ltr	504mm	217mm	200mm

12 Volt DC and 24 Volt DC Power Pack Dimensions

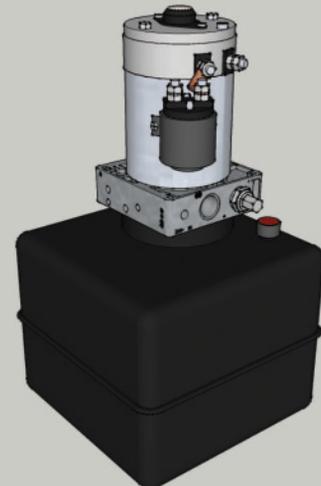
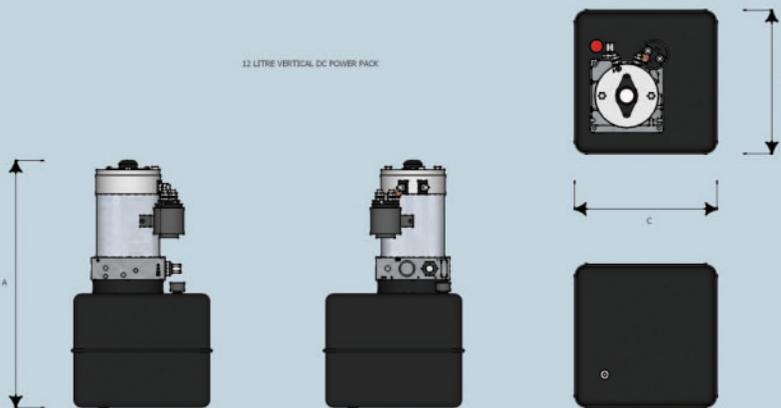
10 LITRE HORIZONTAL DC POWER PACK



Tank Capacity	10 Litre Horizontal Tank		
	A	B	C
10ltr	509mm	285mm	260mm

12 Volt DC and 24 Volt DC Power Pack Dimensions

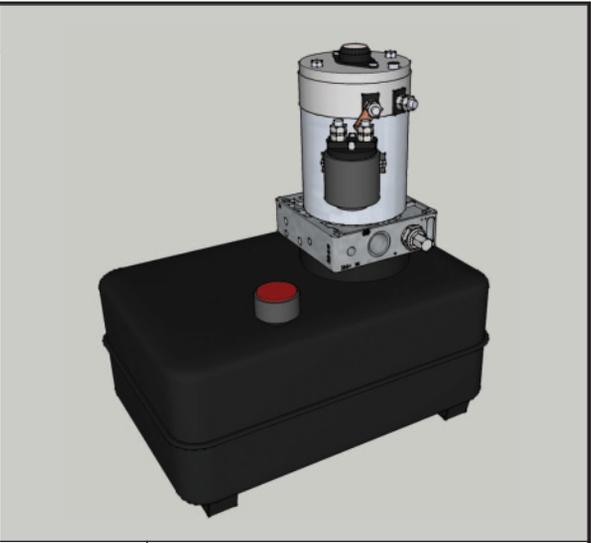
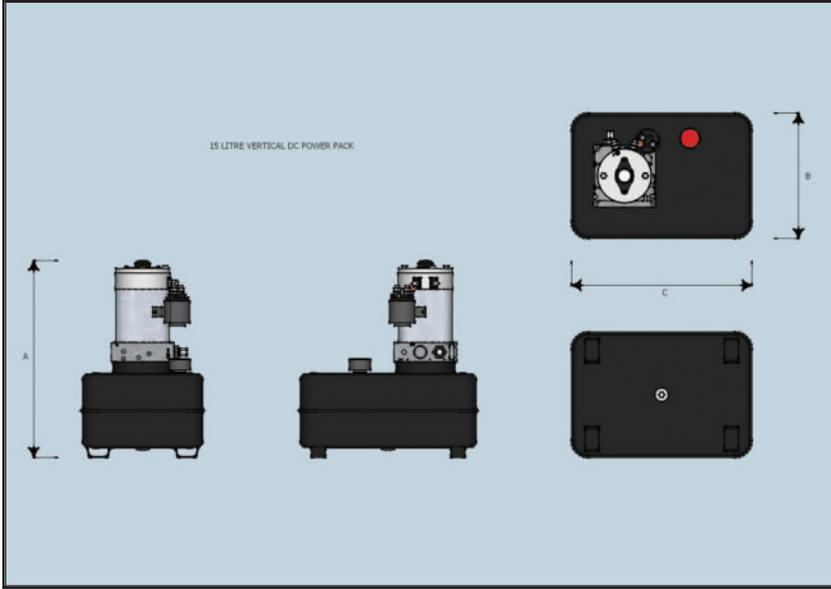
12 LITRE VERTICAL DC POWER PACK



Tank Capacity	12 Litre Vertical Tank		
	A	B	C
12ltr	451mm	250mm	250mm

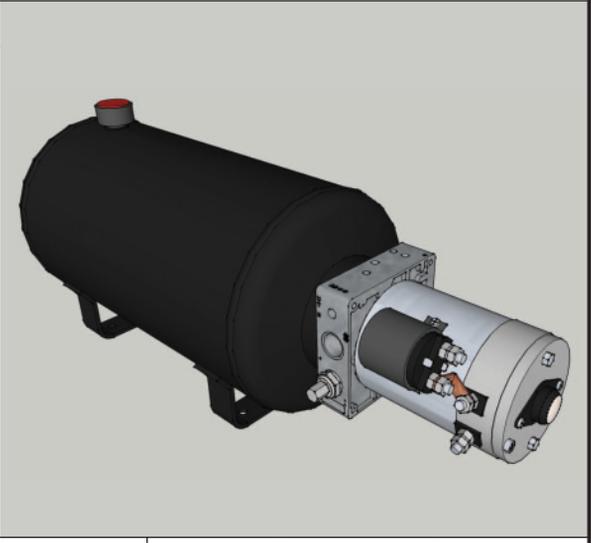
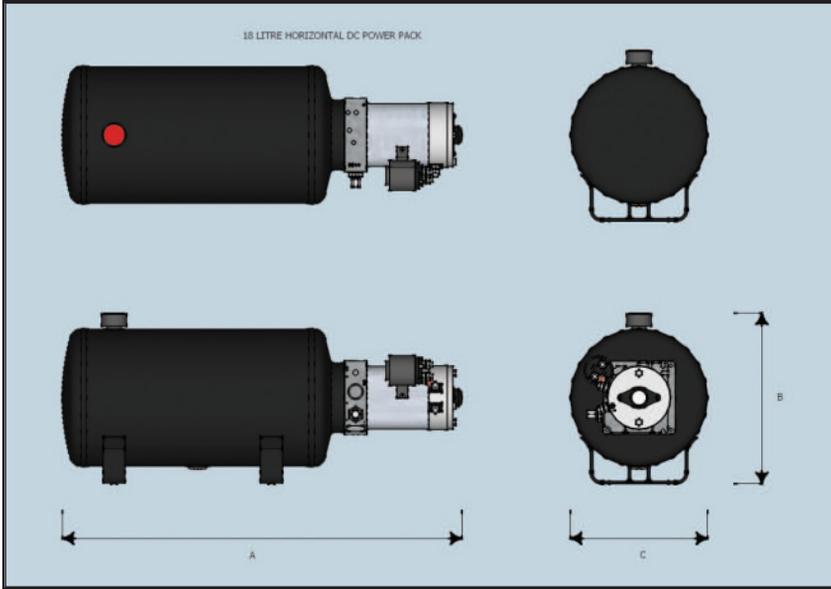


12 Volt DC and 24 Volt DC Power Pack Dimensions



Tank Capacity	15 Litre Vertical Tank		
	A	B	C
15ltr	425mm	268mm	388mm

12 Volt DC and 24 Volt DC Power Pack Dimensions

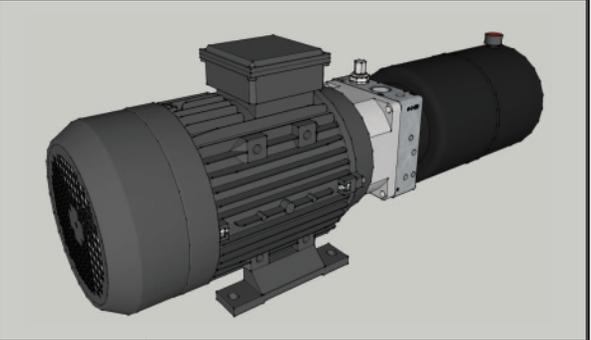
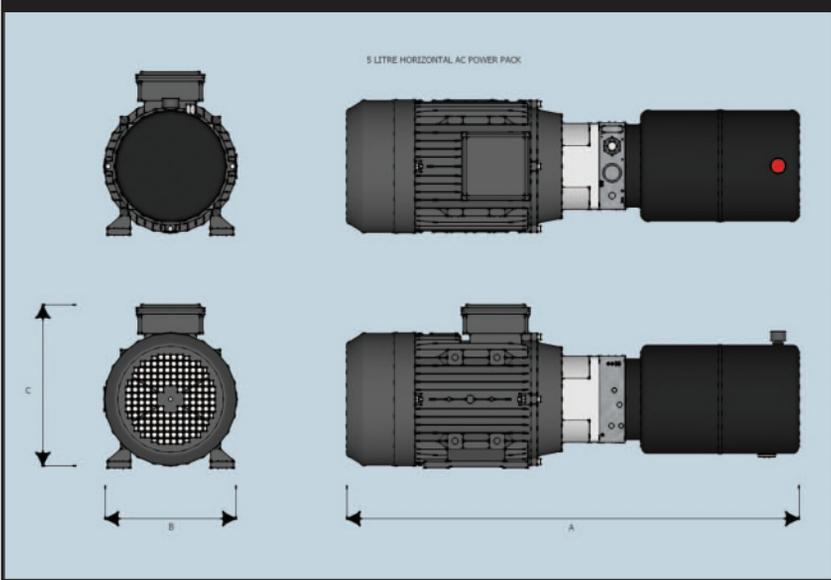


Tank Capacity	18 Litre Horizontal Tank		
	A	B	C
18ltr	739mm	318mm	170mm

**110 - 240V AC POWER PACK DIMENSIONS**

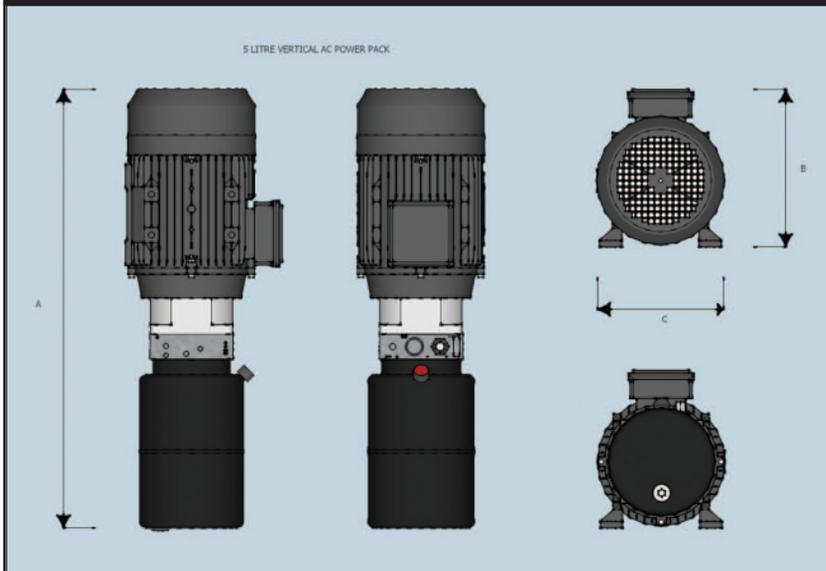


Single Phase 110/240 Volt AC Power Pack Dimensions



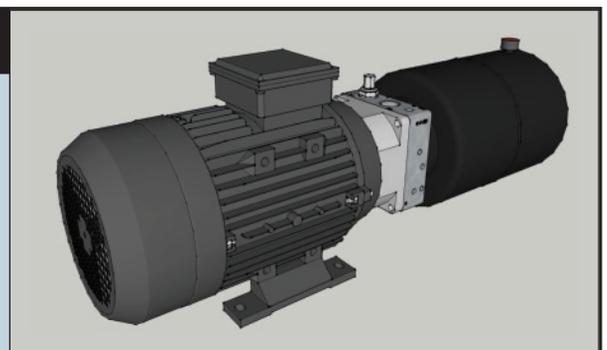
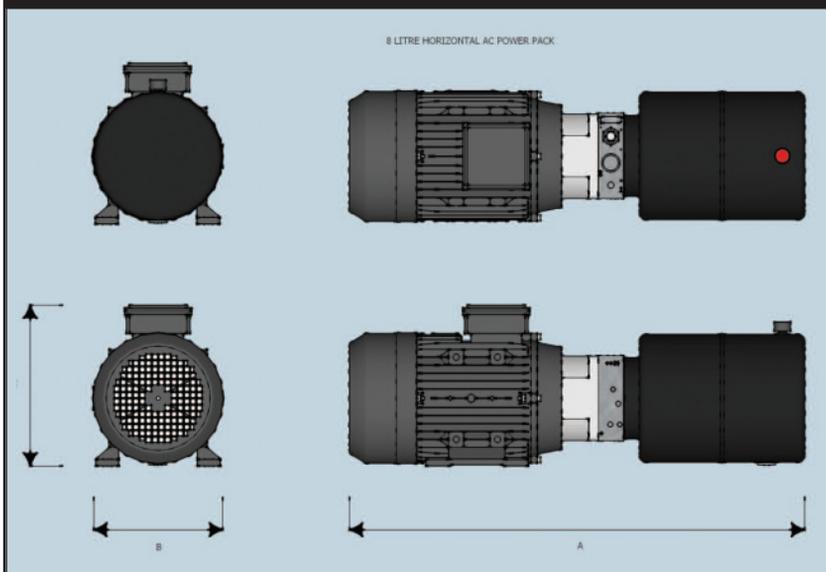
Motor size	5 Litre Horizontal Tank		
	A	B	C
0.25kw	557mm	170mm	210mm
0.37kw	557mm	170mm	210mm
0.55kw	610mm	170mm	220mm
0.75kw	610mm	170mm	220mm
1.1kw	630mm	175mm	230mm
1.5kw	655mm	172mm	230mm
2.2kw	691mm	196mm	255mm
3.0kw	691mm	196mm	255mm

Single Phase 110/240 Volt AC Power Pack Dimensions



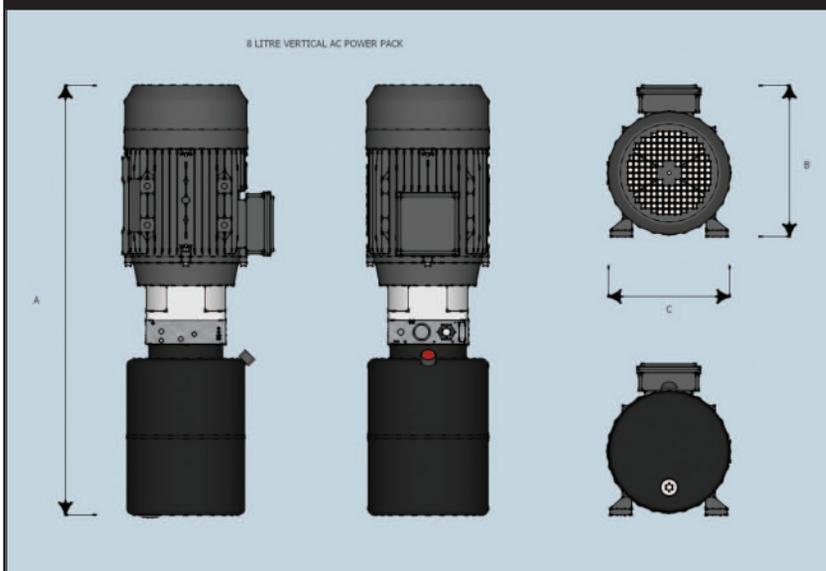
Motor size	5 Litre Vertical Tank		
	A	B	C
0.25kw	557mm	210mm	170mm
0.37kw	557mm	210mm	170mm
0.55kw	610mm	220mm	170mm
0.75kw	610mm	220mm	170mm
1.1kw	630mm	230mm	175mm
1.5kw	655mm	230mm	172mm
2.2kw	691mm	255mm	196mm
3.0kw	691mm	255mm	196mm

Single Phase 110/240 Volt AC Power Pack Dimensions



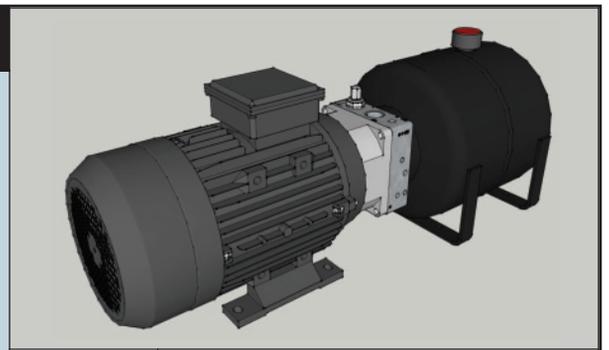
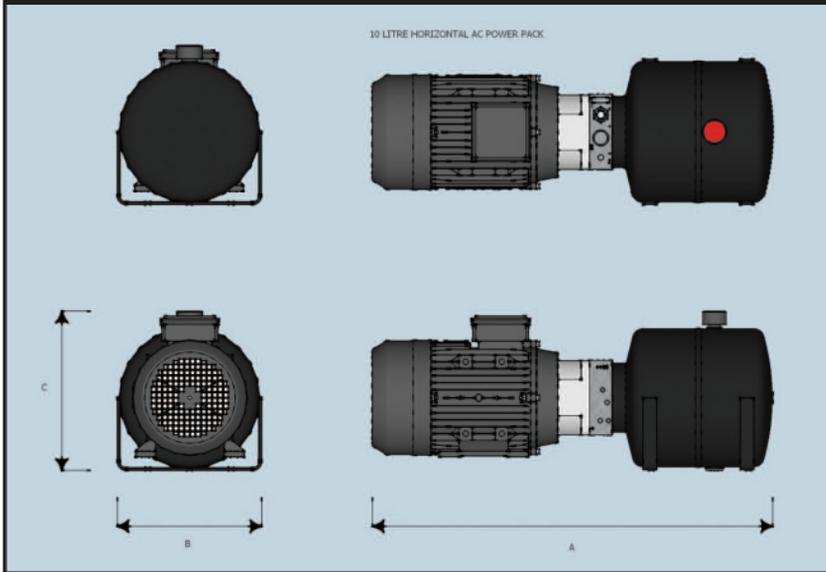
Motor size	8 Litre Horizontal Tank		
	A	B	C
0.25kw	572mm	200mm	234mm
0.37kw	572mm	200mm	234mm
0.55kw	605mm	200mm	255mm
0.75kw	605mm	200mm	255mm
1.1kw	645mm	200mm	275mm
1.5kw	670mm	200mm	275mm
2.2kw	706mm	200mm	280mm
3.0kw	706mm	200mm	280mm

Single Phase 110/240 Volt AC Power Pack Dimensions



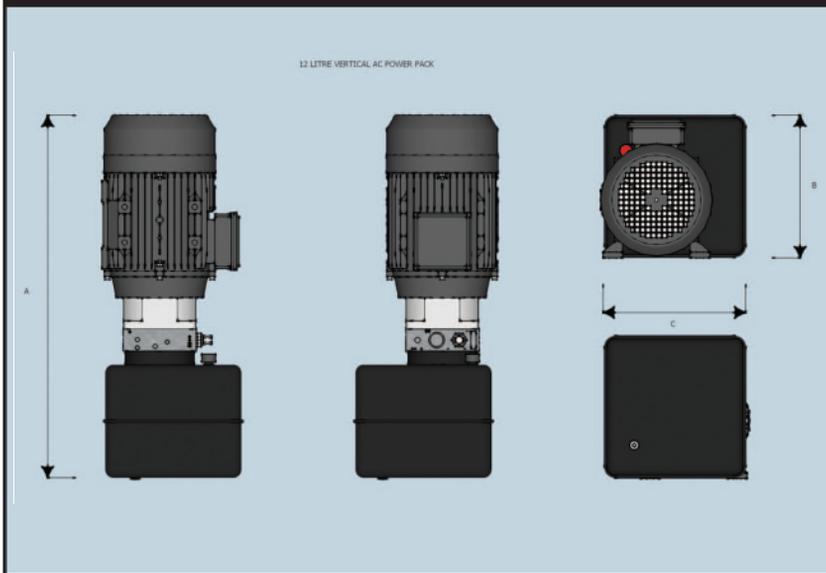
Motor size	8 Litre Vertical Tank		
	A	B	C
0.25kw	572mm	234mm	200mm
0.37kw	572mm	234mm	200mm
0.55kw	605mm	255mm	200mm
0.75kw	605mm	255mm	200mm
1.1kw	645mm	275mm	200mm
1.5kw	670mm	275mm	200mm
2.2kw	706mm	280mm	200mm
3.0kw	706mm	280mm	200mm

Single Phase 110/240 Volt AC Power Pack Dimensions



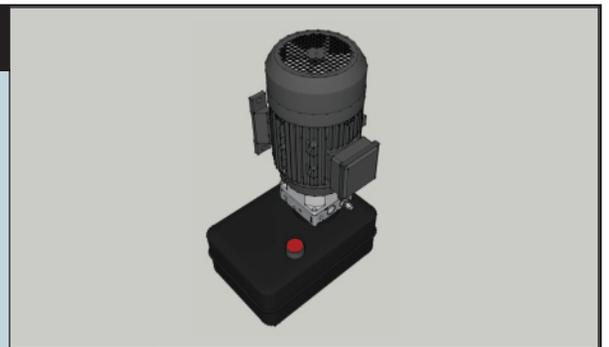
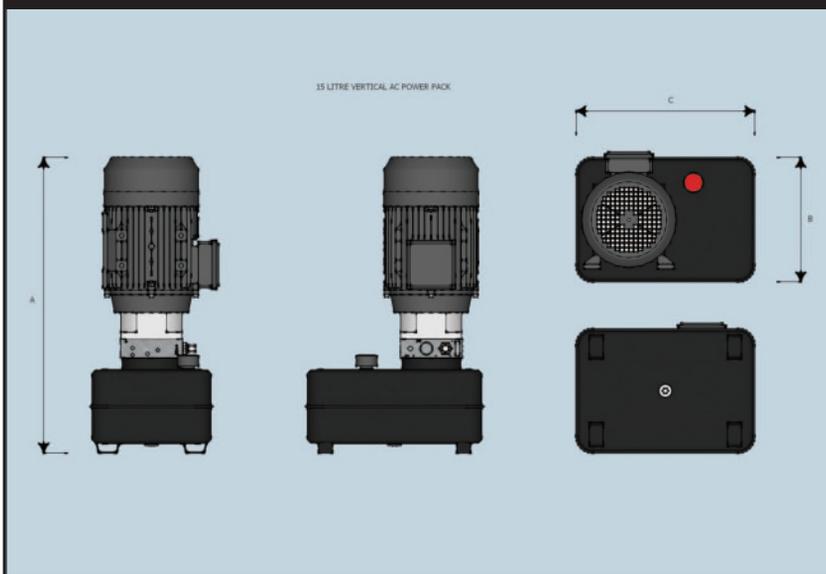
Motor size	10 Litre Horizontal Tank		
	A	B	C
0.25kw	577mm	260mm	285mm
0.37kw	577mm	260mm	285mm
0.55kw	610mm	260mm	285mm
0.75kw	610mm	260mm	285mm
1.1kw	650mm	260mm	285mm
1.5kw	675mm	260mm	285mm
2.2kw	711mm	260mm	285mm
3.0kw	711mm	260mm	285mm

Single Phase 110/240 Volt AC Power Pack Dimensions



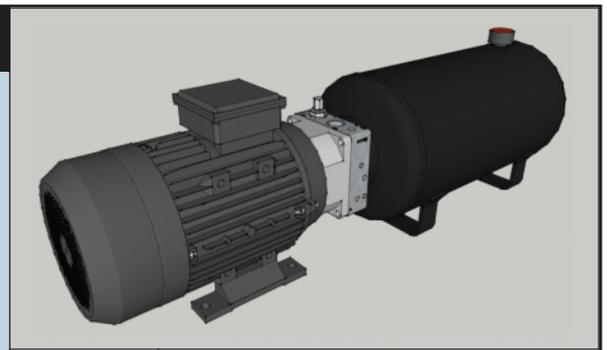
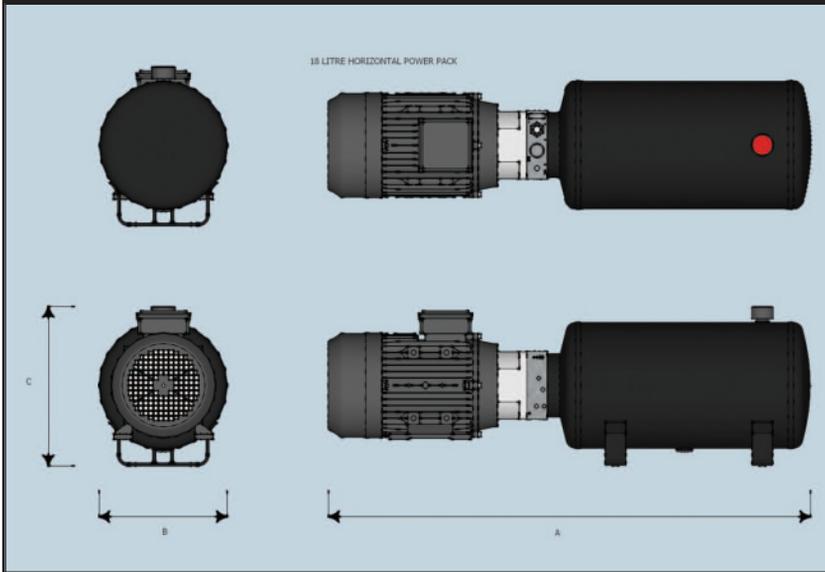
Motor size	12 Litre Vertical Tank		
	A	B	C
0.25kw	519mm	250mm	250mm
0.37kw	519mm	250mm	250mm
0.55kw	552mm	250mm	250mm
0.75kw	552mm	250mm	250mm
1.1kw	592mm	250mm	250mm
1.5kw	617mm	250mm	250mm
2.2kw	653mm	270mm	265mm
3.0kw	653mm	270mm	265mm

Single Phase 110/240 Volt AC Power Pack Dimensions



Motor size	15 Litre Vertical Tank		
	A	B	C
0.25kw	493mm	268mm	388mm
0.37kw	493mm	268mm	388mm
0.55kw	526mm	269mm	388mm
0.75kw	526mm	269mm	388mm
1.1kw	566mm	279mm	388mm
1.5kw	591mm	279mm	388mm
2.2kw	627mm	304mm	388mm
3.0kw	627mm	304mm	388mm

Single Phase 110/240 Volt AC Power Pack Dimensions

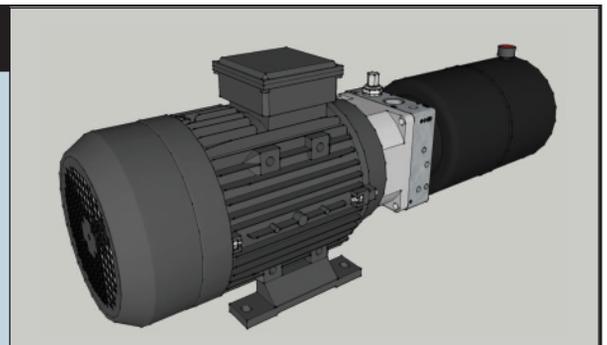
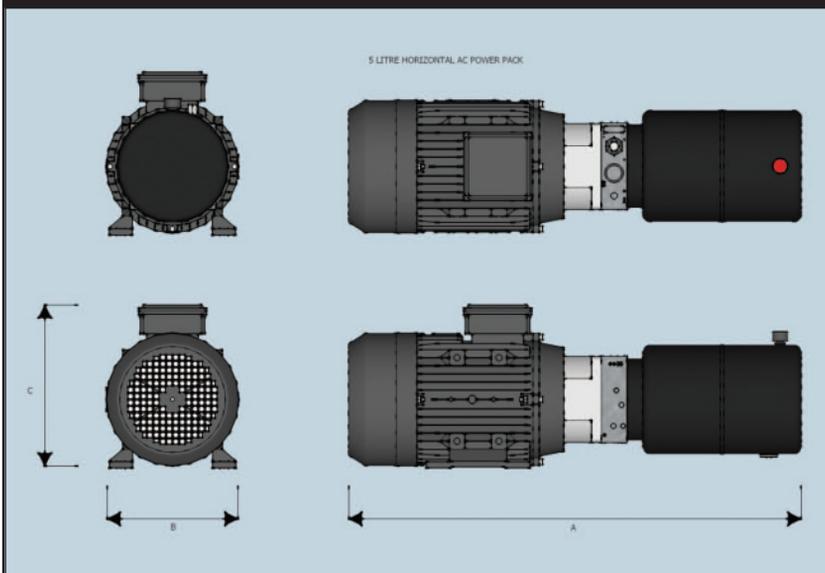


Motor size	18 Litre Horizontal Tank		
	A	B	C
0.25kw	807mm	250mm	318mm
0.37kw	807mm	250mm	318mm
0.55kw	840mm	250mm	318mm
0.75kw	840mm	250mm	318mm
1.1kw	880mm	250mm	318mm
1.5kw	905mm	250mm	318mm
2.2kw	941mm	250mm	318mm
3.0kw	941mm	250mm	318mm

415V AC POWER PACK DIMENSIONS

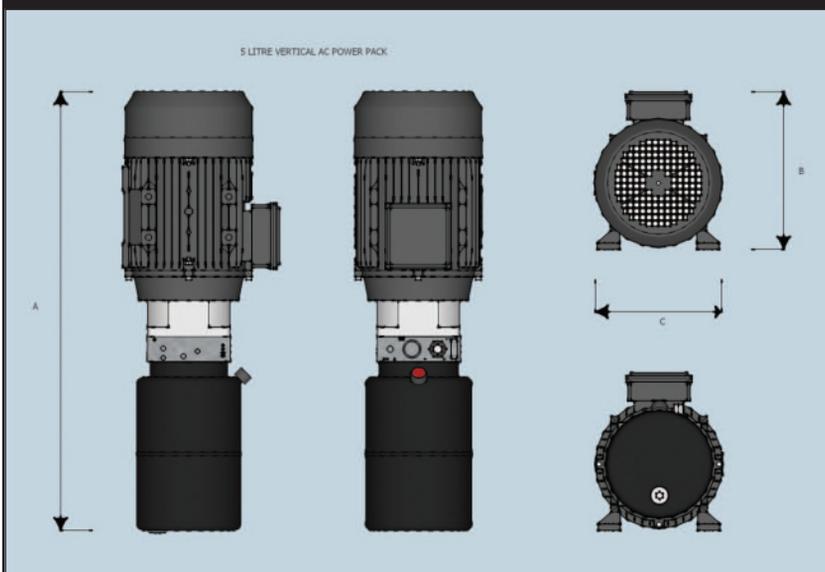


Three Phase 415 Volt AC Power Pack Dimensions



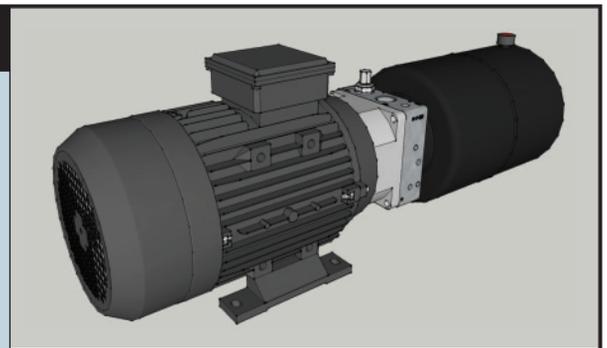
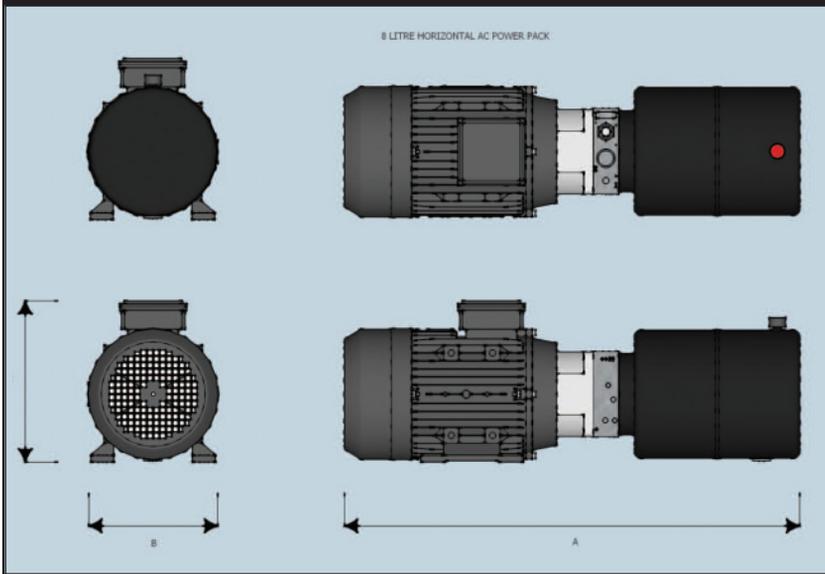
Motor size	5 Litre Horizontal Tank		
	A	B	C
0.25kw	557mm	170mm	195mm
0.37kw	557mm	170mm	195mm
0.55kw	585mm	170mm	197mm
0.75kw	585mm	170mm	197mm
1.1kw	605mm	175mm	280mm
1.5kw	630mm	172mm	280mm
2.2kw	697mm	196mm	287mm
3.0kw	697mm	196mm	287mm

Three Phase 415 Volt AC Power Pack Dimensions



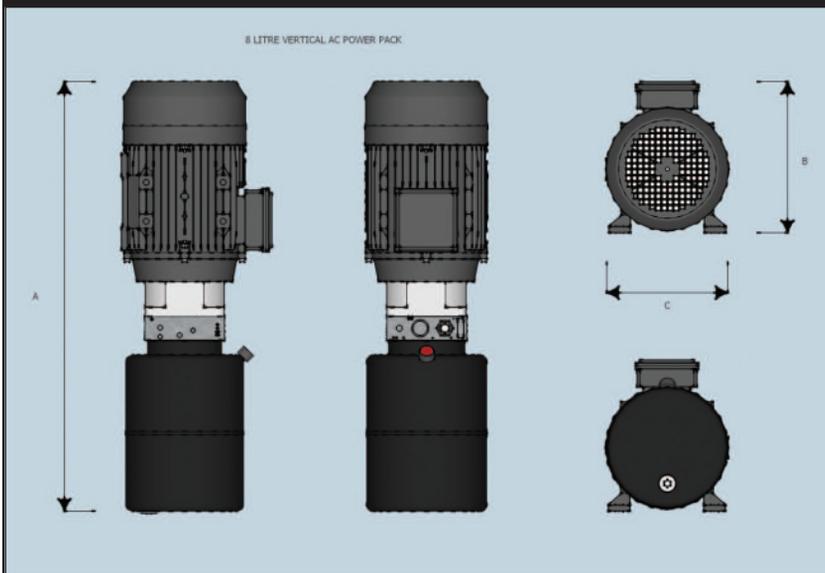
Motor size	5 Litre Vertical Tank		
	A	B	C
0.25kw	557mm	195mm	170mm
0.37kw	557mm	195mm	170mm
0.55kw	585mm	197mm	170mm
0.75kw	585mm	197mm	170mm
1.1kw	605mm	280mm	175mm
1.5kw	630mm	280mm	172mm
2.2kw	697mm	287mm	196mm
3.0kw	697mm	287mm	196mm

Three Phase 415 Volt AC Power Pack Dimensions



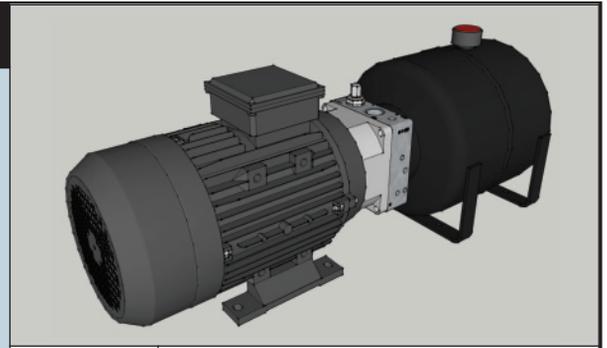
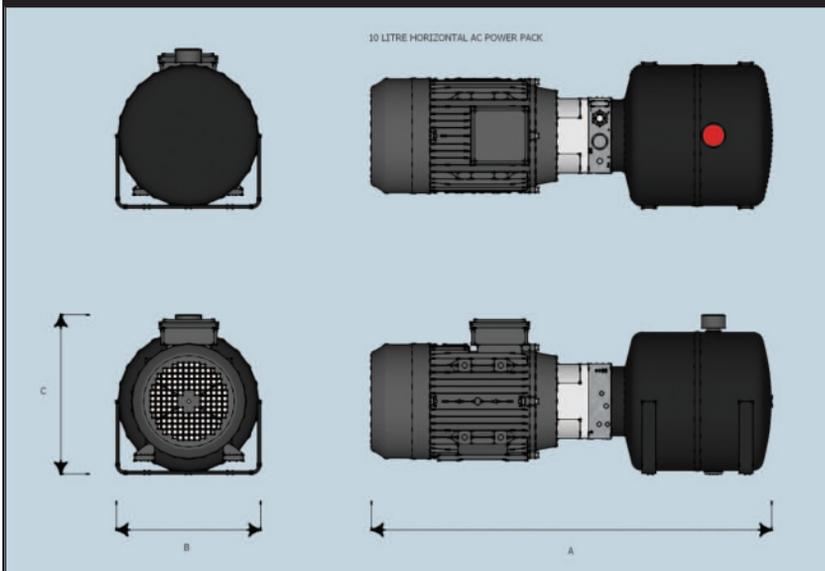
Motor size	8 Litre Horizontal Tank		
	A	B	C
0.25kw	572mm	200mm	228mm
0.37kw	572mm	200mm	228mm
0.55kw	600mm	200mm	251mm
0.75kw	600mm	200mm	251mm
1.1kw	620mm	200mm	259mm
1.5kw	645mm	200mm	259mm
2.2kw	712mm	200mm	266mm
3.0kw	712mm	200mm	266mm

Three Phase 415 Volt AC Power Pack Dimensions



Motor size	8 Litre Vertical Tank		
	A	B	C
0.25kw	572mm	228mm	200mm
0.37kw	572mm	228mm	200mm
0.55kw	600mm	251mm	200mm
0.75kw	600mm	251mm	200mm
1.1kw	620mm	259mm	200mm
1.5kw	645mm	259mm	200mm
2.2kw	712mm	266mm	200mm
3.0kw	712mm	266mm	200mm

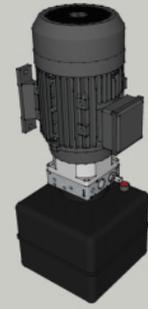
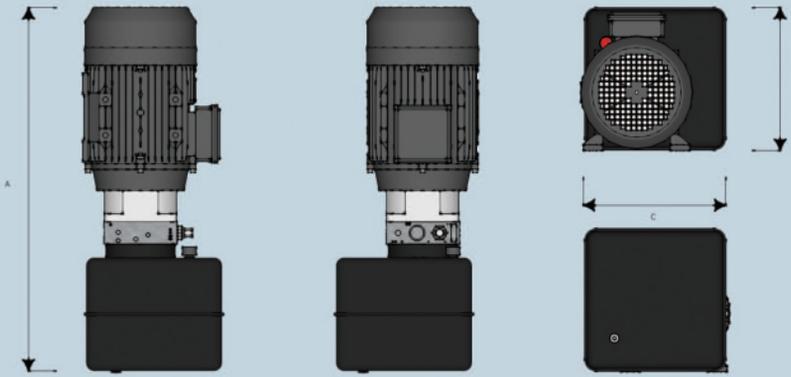
Three Phase 415 Volt AC Power Pack Dimensions



Motor size	10 Litre Horizontal Tank		
	A	B	C
0.25kw	577mm	260mm	285mm
0.37kw	577mm	260mm	285mm
0.55kw	605mm	260mm	285mm
0.75kw	605mm	260mm	285mm
1.1kw	625mm	260mm	285mm
1.5kw	650mm	260mm	285mm
2.2kw	717mm	260mm	285mm
3.0kw	717mm	260mm	285mm

Three Phase 415 Volt AC Power Pack Dimensions

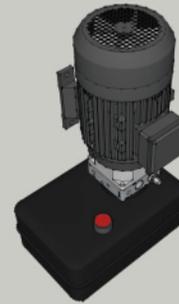
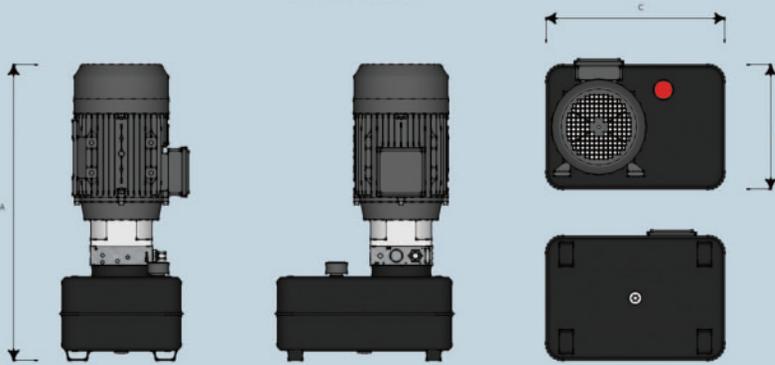
12 LITRE VERTICAL AC POWER PACK



Motor size	12 Litre Vertical Tank		
	A	B	C
0.25kw	519mm	250mm	250mm
0.37kw	519mm	250mm	250mm
0.55kw	547mm	250mm	250mm
0.75kw	547mm	250mm	250mm
1.1kw	567mm	250mm	250mm
1.5kw	592mm	250mm	250mm
2.2kw	659mm	250mm	260mm
3.0kw	659mm	250mm	260mm

Three Phase 415 Volt AC Power Pack Dimensions

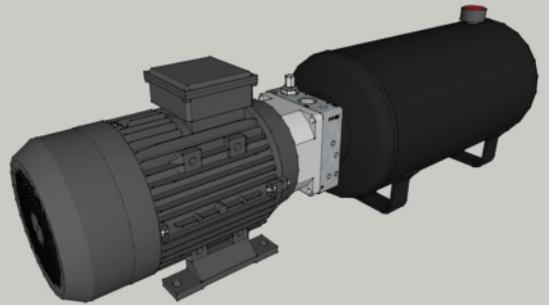
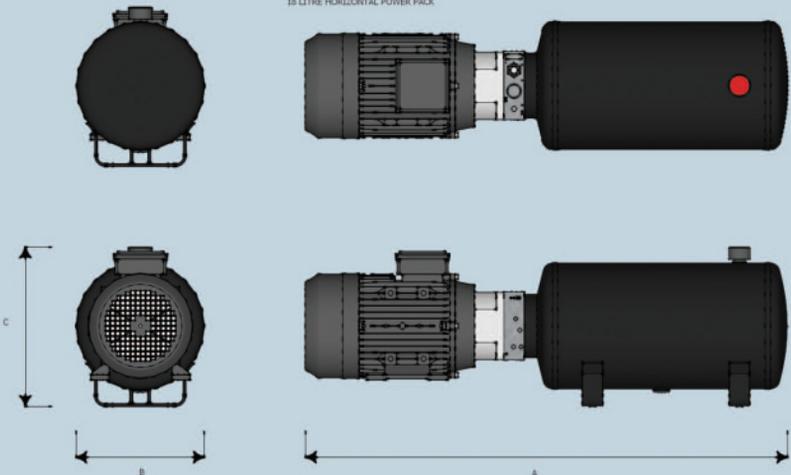
15 LITRE VERTICAL AC POWER PACK



Motor size	15 Litre Vertical Tank		
	A	B	C
0.25kw	493mm	268mm	388mm
0.37kw	493mm	268mm	388mm
0.55kw	521mm	270mm	388mm
0.75kw	521mm	270mm	388mm
1.1kw	541mm	279mm	388mm
1.5kw	566mm	279mm	388mm
2.2kw	633mm	286mm	388mm
3.0kw	633mm	286mm	388mm

Three Phase 415 Volt AC Power Pack Dimensions

18 LITRE HORIZONTAL POWER PACK



Motor size	18 Litre Horizontal Tank		
	A	B	C
0.25kw	807mm	250mm	318mm
0.37kw	807mm	250mm	318mm
0.55kw	835mm	250mm	318mm
0.75kw	835mm	250mm	318mm
1.1kw	855mm	250mm	318mm
1.5kw	880mm	250mm	318mm
2.2kw	947mm	250mm	318mm
3.0kw	947mm	250mm	318mm

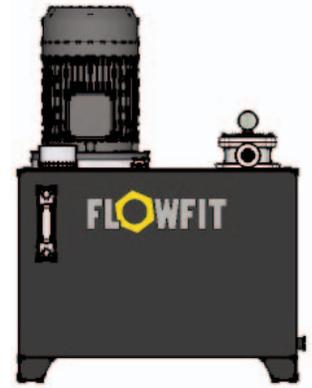
# HF500 250 BAR POWER PACKS



The HF500 series of standard power packs is based on a range of 3phase motors from 2.2kw to 18.5kw. Supplied fully assembled and tested, these units offer pressures up to 250 bar and flows up to 133lpm. All components in stock ready to assemble for immediate delivery.

**THE HF500 BASIC POWERUNIT STEP 1 CONSISTS OF:**

- ELECTRIC MOTOR 415V 50HZ 3PH 4PL
- GALTECH AP200 OR AP300 GEAR PUMP
- FLOWFIT BELL HOUSING AND DRIVE COUPLING
- IKRON TANK TOP RETURN LINE FILTER 10 MICRON C/W VISUAL INDICATOR
- IKRON FILLER BREATHER AND IKRON SUCTION STRAINER 125 MICRON



## TO GENERATE YOUR FULL ORDER NUMBER SELECT THE COSTING CODE OR EACH COMPONENT

FLOW	MAX PRESS BAR	MOTOR KW SIZE	PART NUMBER	PRICE
15.8	175	5.5	HF50010	£1884.21
15.8	235	7.5	HF50011	£1968.04
21.6	50	2.2	HF50012	£1516.52
21.6	90	4	HF50013	£1652.78
21.6	125	5.5	HF50014	£1884.21
21.6	170	7.5	HF50015	£1968.04
21.6	250	11	HF50016	£2378.04
27.2	40	2.2	HF50017	£1516.52
27.2	55	3	HF50018	£1568.96
27.2	70	4	HF50019	£1652.78
27.2	100	5.5	HF50020	£1884.21
27.2	135	7.5	HF50021	£1968.04
27.2	200	11	HF50022	£2378.04
30.2	40	2.2	HF50023	£1516.52
30.2	50	3	HF50024	£1568.96
30.2	64	4	HF50025	£1652.78
30.2	95	5.5	HF50026	£1923.53
30.2	130	7.5	HF50027	£1968.04
30.2	190	11	HF50028	£2417.35
30.2	250	15	HF50029	£2509.24
37.5	40	3	HF50030	£1568.96
37.2	55	4	HF50031	£1652.78
37.2	80	5.5	HF50032	£1884.21
37.2	105	7.5	HF50033	£1968.04
37.2	155	11	HF50034	£2378.04
37.2	210	15	HF50035	£2509.24
37.2	250	18.5	HF50036	£2935.66
44.6	45	4	HF50037	£2509.24
44.6	65	5.5	HF50038	£2742.49
44.6	85	7.5	HF50039	£2828.13
44.6	125	11	HF50040	£3308.43
53	40	4	HF50041	£2509.24
53	55	5.5	HF50042	£2742.49
53	75	7.5	HF50043	£2828.13
53	110	11	HF50044	£3308.95
53	150	15	HF50045	£3447.71
53	180	18.5	HF50046	£3855.88
64.8	40	5.5	HF50047	£2742.49
64.8	55	7.5	HF50048	£2828.13
64.8	80	11	HF50049	£3309.21
64.8	110	15	HF50050	£3447.71
64.8	140	18.5	HF50051	£3855.88
76.3	30	5.5	HF50052	£2742.49
76.3	45	7.5	HF50053	£2737.03
76.3	65	11	HF50054	£3309.21
76.3	100	15	HF50055	£3447.71
76.3	120	18.5	HF50056	£3855.88
90.7	40	7.5	HF50057	£2737.03
90.7	60	11	HF50058	£3308.43
90.7	80	15	HF50059	£3447.71
90.7	100	18.5	HF50060	£3855.88
108	35	7.5	HF50061	£2737.03
108	50	11	HF50062	£3308.43
108	70	15	HF50063	£3447.71
108	85	18.5	HF50064	£3855.88
133	40	11	HF50065	£3308.43
133	55	15	HF50066	£3447.71
133	70	18.5	HF50067	£3855.88

### EXAMPLE

**STEP 1  
SELECT MOTOR**

**EG:  
HF50053  
£2,737.03**

**THE HF500 BASIC  
POWERUNIT STEP 1  
CONSISTS OF:**

- ELECTRIC MOTOR 415V 50HZ 3PH 4PL
- GALTECH AP200 OR AP300 GEAR PUMP
- FLOWFIT BELL HOUSING AND DRIVE COUPLING
- IKRON TANK TOP RETURN LINE FILTER 10 MICRON C/W VISUAL INDICATOR
- IKRON FILLER BREATHER AND IKRON SUCTION STRAINER 125 MICRON



CONTINUED ON  
NEXT PAGE



HYDRAULIC TANKS	COSTING CODE	PART NO	PRICE
30 LITRES CAPACITY	A	HF30	£291.55
55 LITRES CAPACITY	B	HF55	£373.58
72 LITRES CAPACITY	C	HF75	£431.88
98 LITRES CAPACITY	D	HF100	£499.29
160 LITRES	E	HF180	£652.37
200 LITRES	F	HFSS200	£805.43
250 LITRES	G	HFSS250	£1082.42
300 LITRES	H	HFSS300	£1273.76
400 LITRES	J	HFSS400	£1958.92
630 LITRES CAPACITY	K	HFSS630	£2356.17
800 LITRES CAPACITY	L	HFSS800	£3119.74

FITTED WITH FILTREC LEVEL INDICATOR.

**STEP 2  
SELECT TANK**

**EG:  
J  
£1958.92**



CETOP 3 MANIFOLDS	COSTING CODE	PART NO	PRICE
CETOP 3 1STN M/FOLD	31	105161/1	£112.63
CETOP 3 2STN M/FOLD	32	105161/2	£166.55
CETOP 3 3STN M/FOLD	33	105161/3	£215.19
CETOP 3 4STN M/FOLD	34	105161/4	£266.69
CETOP 3 5STN M/FOLD	35	105161/5	£335.82
CETOP 3 1STN M/FOLD C/W RV	31R	115161/1	£347.50
CETOP 3 2STN M/FOLD C/W RV	32R	115161/2	£400.25
CETOP 3 3STN M/FOLD C/W RV	33R	115161/3	£446.48
CETOP 3 4STN M/FOLD C/W RV	34R	115161/4	£500.32
CETOP 3 5STN M/FOLD C/W RV	35R	115161/5	£569.53
NO MANIFOLD NEEDED	XXX		£0.00

**STEP 3  
SELECT MANIFOLD**

**EG:  
XXX  
£0.00**



CETOP 3 VALVES	COSTING CODE	PRICE
NG 6 D/ACTING VALVE	NG6D	£163.32
NG 6 S/ACTING VALVE	NG6S	£116.88
NO VALVES NEEDED	XXX	£0.00

**STEP 4  
SELECT CETOP 3  
VALVES**

**EG:  
XXX  
£0.00**



CETOP 5 MANIFOLDS	COSTING CODE	PART NO	PRICE
CETOP 5 1STN M/FOLD	51	205171/1	£193.50
CETOP 5 2STN M/FOLD	52	205171/2	£265.08
CETOP 5 3STN M/FOLD	53	205171/3	£351.73
CETOP 5 4STN M/FOLD	54	205171/4	£452.34
CETOP 5 5STN M/FOLD	55	205171/5	£452.34
CETOP 5 1STN M/FOLD C/W RV	51R	115171/1	£521.84
CETOP 5 2STN M/FOLD C/W RV	52R	115171/2	£593.47
CETOP 5 3STN M/FOLD C/W RV	53R	115171/3	£680.03
CETOP 5 4STN M/FOLD C/W RV	54R	115171/4	£782.77
CETOP 5 5STN M/FOLD C/W RV	55R	115171/5	£884.41
NO MANIFOLD NEEDED	XXX		£0.00

**STEP 5  
SELECT CETOP 5  
MANIFOLD**

**EG:  
51  
£193.50**



CETOP 5 VALVES	COSTING CODE	PRICE
NG 10 D/ACTING VALVE	NG10D	£255.11
NG 10 S/ACTING VALVE	ND10S	£196.79
NO VALVES NEEDED	XXX	£0.00

**STEP 6  
SELECT CETOP 5  
VALVES**

**EG:  
NG10D  
£255.11**



CETOP 7 MANIFOLDS	COSTING CODE	PART NO	PRICE
CETOP 7 1STN M/FOLD	71	705161/1	£945.83
CETOP 7 2STN M/FOLD	72	705161/2	£1551.02
CETOP 7 3STN M/FOLD	73	705161/3	£2189.98
NO MANIFOLD NEEDED	XXX		£0.00

**STEP 7  
SELECT CETOP 7  
MANIFOLD**

**EG:  
XXX  
£0.00  
CONTINUED ON  
NEXT PAGE**





CETOP 7 VALVE	COSTING CODE	PRICE
<b>PART No REF HF50065/67</b>		
NG 16 D/ACTING C/W NG6 PILOT VALVE	NG16D	£510.23
NG 16 S/ACTING C/W NG6 PILOT VALVE	ND16S	£461.03
NO VALVES NEEDED	XXX	£0.00

**STEP 8**  
**SELECT CETOP 7 VALVE**  
 EG:  
 XXX  
 £0.00



45LTR DIRECTIONAL CONTROL VALVE	COSTING CODE	PART NO	PRICE
<b>PART No REF HF50010/40</b>			
<b>HDM11P/HDM11S</b>			
3/8" 2 BANK D/ACTING S/RETURN VALVE	P2	HDM11P/2	£289.66
3/8" 3 BANK D/ACTING S/RETURN VALVE	P3	HDM11P/3	£377.60
3/8" 4 BANK D/ACTING S/RETURN VALVE	P4	HDM11P/4	£465.52
3/8" 5 BANK D/ACTING S/RETURN VALVE	P5	HDM11P/5	£575.06
3/8" 6 BANK D/ACTING S/RETURN VALVE	P6	HDM11P/6	£691.79
1/2" 1 BANK D/ACTING S/RETURN VALVE	S1	HDM11S/1	£240.68
1/2" 2 BANK D/ACTING S/RETURN VALVE	S2	HDM11S/2	£331.47
1/2" 3 BANK D/ACTING S/RETURN VALVE	S3	HDM11S/3	£439.58
1/2" 4 BANK D/ACTING S/RETURN VALVE	S4	HDM11S/4	£536.15
1/2" 5 BANK D/ACTING S/RETURN VALVE	S5	HDM11S/5	£638.47
1/2" 6 BANK D/ACTING S/RETURN VALVE	S6	HDM11S/6	£746.56
<b>70LTR DIRECTIONAL CONTROL VALVE</b>			
<b>PART No REF HF50041/51</b>			
<b>HDM18</b>			
1/2" 1 BANK D/ACTING S/RETURN VALVE	181	HDM18/1	£257.98
1/2" 2 BANK D/ACTING S/RETURN VALVE	182	HDM18/2	£412.18
1/2" 3 BANK D/ACTING S/RETURN VALVE	183	HDM18/3	£554.89
1/2" 4 BANK D/ACTING S/RETURN VALVE	184	HDM18/4	£699.01
<b>100LTR DIRECTIONAL CONTROL VALVE</b>			
<b>PART No REF CONV52/64</b>			
3/4" 1 BANK D/ACTING S/RETURN VALVE	251	HDM25/1	£364.63
3/4" 2 BANK D/ACTING S/RETURN VALVE	252	HDM25/2	£590.90
NO VALVES NEEDED	XXX		£0.00

**STEP 9**  
**SELECT DIRECTIONAL CONTROL VALVE**  
 EG:  
 XXX  
 £0.00

FILTRATION	COSTING CODE	PRICE
NO EXTRA FILTRATION REQUIRED	XXF	£0.00

**STEP 10**  
**SELECT FILTRATION**  
 EG:  
 XXF  
 £0.00

EXTRA CARTRIDGE VALVES	COSTING CODE	PRICE
NO EXTRA CARTRIDGE VALVES REQUIRED.	XXV	£0.00

**STEP 11**  
**SELECT CARTRIDGE VALVES**  
 EG:  
 XXV  
 £0.00



COSTING CODE	ADD ON EXTRAS	PRICE
PG1	PRESSURE GAUGE 0-1000PSI PLUS ISOLATOR	£35.55
PG2	PRESSURE GAUGE 0-2000PSI PLUS ISOLATOR	£35.55
PG3	PRESSURE GAUGE 0-3000PSI PLUS ISOLATOR	£35.55
PG4	PRESSURE GAUGE 0-4000PSI PLUS ISOLATOR	£35.55
PG6	PRESSURE GAUGE 0-6000PSI PLUS ISOLATOR	£35.55
XXX	NOT REQUIRED	£0.00
PLUG	13 Amp plug c/w 2 metre cable	£51.09

**STEP 12**  
**SELECT EXTRAS**  
 EG:  
 PG1  
 £35.55

ALL POWER PACKS ARE FULLY ASSEMBLED AND TESTED  
 ISSUED WITH 12 MONTHS WARRANTY FROM INVOICE DATE

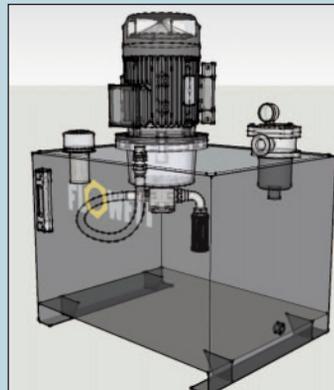
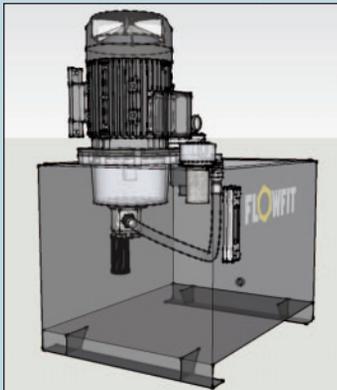
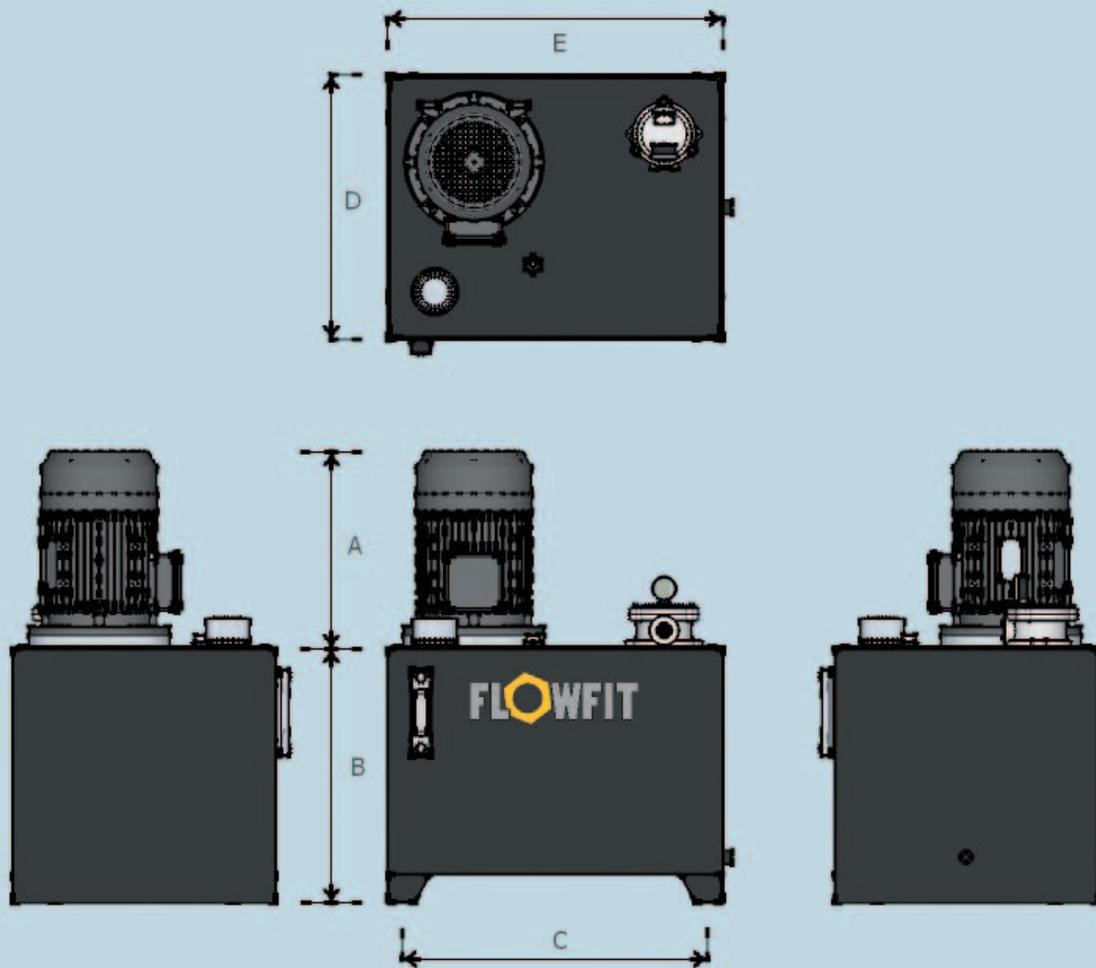
★★ **PRICE PROMISE** ★★

Need more equipment on your power unit. Just select the items you need from our catalogue, add them to your powerpack and take off the relevant discount to arrive at your nett price.

**FULL ORDER NUMBER FOR EXAMPLE SHOWN**  
**HF50053-J-XXX-XXX-51-NG10-XXX-XXX-XXX-XXF-XXV-PG1**

**TOTAL COST OF EXAMPLE SHOWN**  
**£5180.11**

## HF 500 DIMENSIONS



### THREE PHASE ELECTRIC MOTOR DIMENSION

MOTOR	FRAME	A
2.2-4.0 KW	D100/D112	326/335
5.5-7.5 KW	D132	305/420
11-15 KW	D160	510
18.5-22 KW	D180	590
30 KW	D200	660
37-45 KW	D225	705
55 KW	D250	730

### RESERVOIR DIMENSIONS

TANK CAPACITY	B	C	D	E
39 Litre	335	428	375	470
58 Litre	365	548	470	600
75 Litre	455	548	470	600
100 Litre	505	625	520	675
165 Litre	555	755	620	805
200 Litre	560	820	640	900
250 Litre	580	930	690	1010
300 Litre	580	1070	700	1150
400 Litre	580	1434	735	1514
630 Litre	770	1434	945	1514

### SINGLE PHASE ELECTRIC MOTOR DIMENSION

MOTOR	FRAME	A
2.2	D100	320
3 KW	D112	340

# HF600 350 BAR VARIABLE FLOW HIGH PRESSURE POWER PACKS

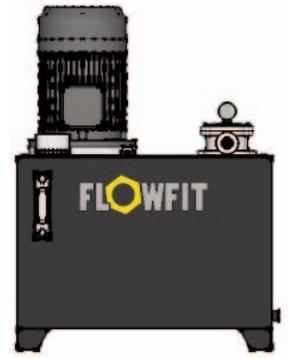


The HF600 series of standard power packs is based on a range of 3phase motors from 7.5kw to 22kw. Supplied fully assembled and tested, These units offer pressures up to 350 bar and flows up to 34.5 l/min, higher flow rates upon request. All components in stock ready to assemble.

**THE HF600 BASIC POWERUNIT STEP 1 CONSISTS OF:**

- ELECTRIC MOTOR 415V 50HZ 3PH 4PL
- KOMPASS VARIABLE DISPLACEMENT PRESSURE COMPENSATED PISTON PUMP
- FLOWFIT BELL HOUSING AND DRIVE COUPLING
- IKRON TANK TOP RETURN LINE FILTER 10 MICRON C/W VISUAL INDICATOR
- IKRON FILLER BREATHER AND IKRON SUCTION STRAINER 125 MICRON

**TO GENERATE YOUR FULL ORDER NUMBER SELECT THE COSTING CODE OR EACH COMPONENT**



FLOW (VARIABLE DISPLACEMENT PRESSURE COMPENSATED PISTON PUMP)	COSTING CODE	MAX PRESS BAR	MOTOR KW SIZE	PRICE
24 L/MIN	HF6001	140	7.5	£5102.33
24 L/MIN	HF6002	250	11	£5630.76
24 L/MIN	HF6003	350	15KW	£5785.67
30 L/MIN	HF6004	140	11KW	£5685.46
30 L/MIN	HF6005	250	15.KW	£5840.34
30 L/MIN	HF6006	350	22KW	£6423.46
34.5 L/MIN	HF6007	140	11KW	£5685.46
34.5 L/MIN	HF6008	250	15KW	£5840.34
34.5 L/MIN	HF6009	350	22KW	£6423.46

**EXAMPLE**

**STEP 1  
SELECT FLOW**

**EG:  
UP6001  
£5102.33**



HYDRAULIC TANKS	COSTING CODE	PART NO	PRICE
58 LITRES CAPACITY	B	HF55	£373.54
75 LITRES CAPACITY	C	HF75	£422.76
100 LITRES CAPACITY	D	HF100	£499.29
165 LITRES CAPACITY	E	HF180	£537.89
200 LITRES CAPACITY	F	HFSS200	£805.43
FITTED WITH FILTREC LEVEL INDICATOR.			

**STEP 2  
SELECT TANK**

**EG:  
D  
£499.29**



CETOP 3 M/FOLD PART NO REF	COSTING CODE	PART NO	PRICE
CETOP 3 1STN M/FOLD	31	105161/1	£112.72
CETOP 3 2STN M/FOLD	32	105161/2	£166.55
CETOP 3 3STN M/FOLD	33	105161/3	£212.78
CETOP 3 4STN M/FOLD	34	105161/4	£266.69
CETOP 3 5STN M/FOLD	35	105161/5	£335.82
CETOP 3 1STN M/FOLD C/W RV	31R	115161/1	£346.34
CETOP 3 2STN M/FOLD C/W RV	32R	115161/2	£400.25
CETOP 3 3STN M/FOLD C/W RV	33R	115161/3	£445.76
CETOP 3 4STN M/FOLD C/W RV	34R	115161/4	£500.32
CETOP 3 5STN M/FOLD C/W RV	35R	115161/5	£569.53
NO MANIFOLD NEEDED	XXX		£0.00

**STEP 3  
SELECT MANIFOLD**

**EG:  
32  
£166.55**



CETOP 3 VALVES 315 BAR MAX PRESSURE	COSTING CODE	PART NO	PRICE
NG 6 D/ACTING VALVE	NG6D		£173.12
NG 6 S/ACTING VALVE	NG6S		£123.90
NO VALVES NEEDED	XXX		£0.00

**STEP 4  
SELECT VALVES**

**EG:  
NG6S + NG6D  
£123.90 + £173.12**

CONTINUED ON  
NEXT PAGE



45LTR DIRECTIONAL CONTROL VALVE 400 BAR MAX PRESSURE HDM11P/HDM11S	COSTING CODE	PART NO	PRICE
3/8" 1 BANK D/ACTING S/RETURN VALVE	P1	HDM140/1	£147.00
3/8" 2 BANK D/ACTING S/RETURN VALVE	P2	HDM11P/2	£289.69
3/8" 3 BANK D/ACTING S/RETURN VALVE	P3	HDM11P/3	£377.60
3/8" 4 BANK D/ACTING S/RETURN VALVE	P4	HDM11P/4	£465.52
3/8" 5 BANK D/ACTING S/RETURN VALVE	P5	HDM11P/5	£575.06
3/8" 6 BANK D/ACTING S/RETURN VALVE	P6	HDM11P/6	£691.79
1/2" 1 BANK D/ACTING S/RETURN VALVE	S1	HDM11S/1	£240.68
1/2" 2 BANK D/ACTING S/RETURN VALVE	S2	HDM11S/2	£331.47
1/2" 3 BANK D/ACTING S/RETURN VALVE	S3	HDM11S/3	£439.58
1/2" 4 BANK D/ACTING S/RETURN VALVE	S4	HDM11S/4	£536.15
1/2" 5 BANK D/ACTING S/RETURN VALVE	S5	HDM11S/5	£638.47
1/2" 6 BANK D/ACTING S/RETURN VALVE	S6	HDM11S/6	£746.56
NO VALVES NEEDED	XXX		£0.00

**STEP 5**  
**SELECT DIRECTIONAL CONTROL VALVE**

**EG:**  
**XXX**  
**£0.00**



ADD ON EXTRAS	COSTING CODE	PRICE
PRESSURE GAUGE 0-1000PSI PLUS ISOLATOR	PG1	£35.55
PRESSURE GAUGE 0-2000PSI PLUS ISOLATOR	PG2	£35.55
PRESSURE GAUGE 0-3000PSI PLUS ISOLATOR	PG3	£35.55
PRESSURE GAUGE 0-4000PSI PLUS ISOLATOR	PG4	£35.55
PRESSURE GAUGE 0-6000PSI PLUS ISOLATOR	PG6	£35.55
PRESSURE GAUGE 0-10000PSI PLUS ISOLATOR	PG7	£35.55
NOT REQUIRED	XXX	£0.00

**STEP 6**  
**SELECT EXTRAS**

**EG:**  
**XXX**  
**£0.00**

ALL POWER PACKS ARE FULLY ASSEMBLED AND TESTED  
ISSUED WITH 12 MONTHS WARRANTY FROM INVOICE DATE

**★★ PRICE PROMISE ★★**

Need more equipment on your power unit. Just select the items you need from our catalogue, add them to your powerpack and take off the relevant discount to arrive at your nett price.

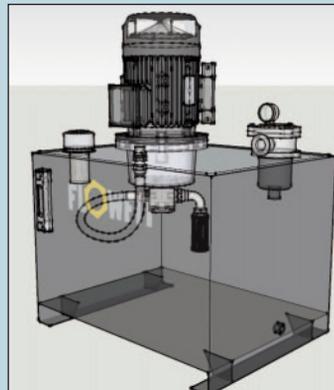
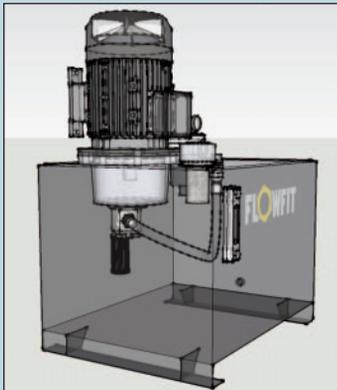
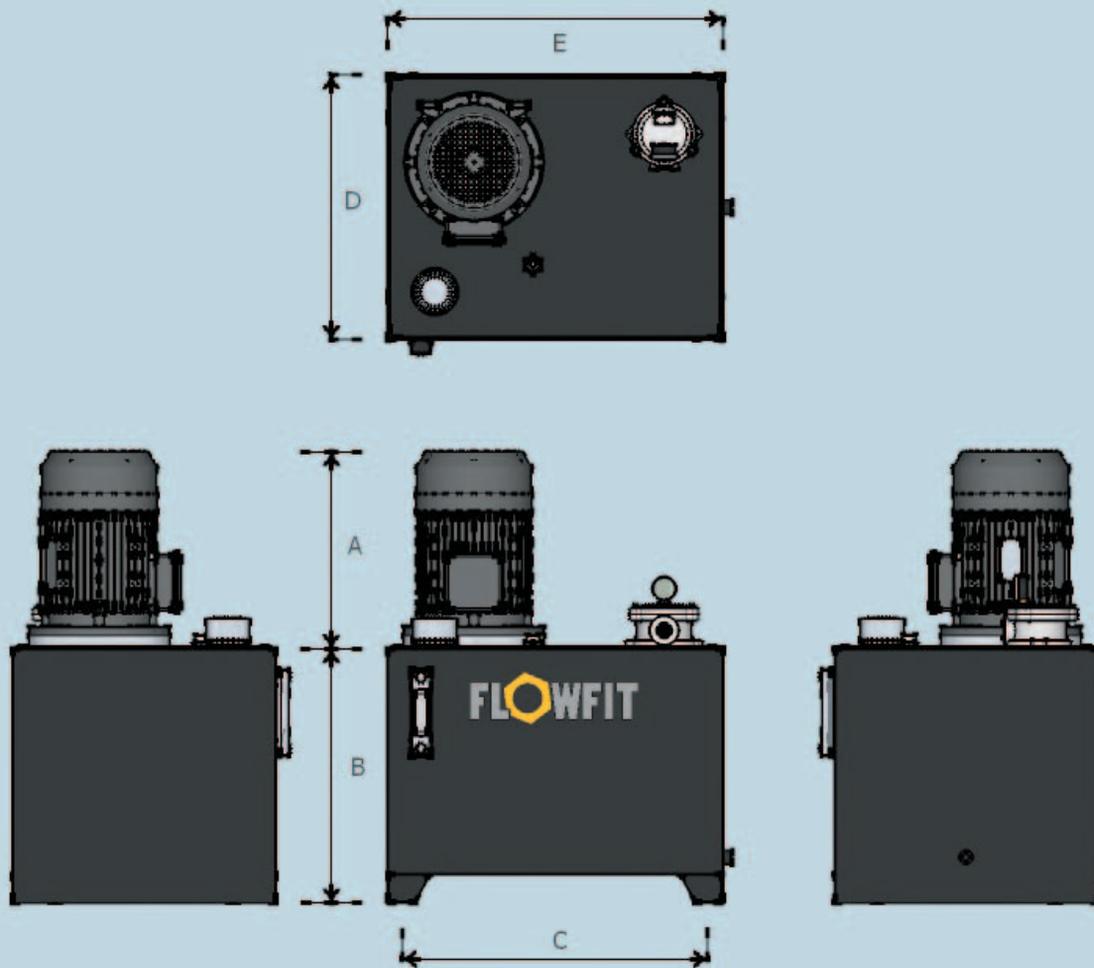
**FULL ORDER NUMBER  
FOR EXAMPLE SHOWN**  
**HF6001 D 32**  
**NG6S NG6D XXX XXX**

**TOTAL COST OF  
EXAMPLE SHOWN**  
**£6238.30**

# FLOWFIT

FOR HYDRAULIC TANKS SEE STEEL & STAINLESS STEEL OIL TANKS SECTION	FOR FILLER BREATHERS SEE FILTRATION SECTION	FOR LEVEL INDICATORS SEE FILTRATION SECTION	FOR RETURN LINE FILTERS SEE FILTRATION SECTION	FOR CARTRIDGE VALVES SEE HYDRAULIC CARTRIDGE VALVES SECTION	FOR PRESSURE FILTERS SEE FILTRATION SECTION	FOR CETOP VALVES SEE HYDRAULIC CETOP VALVES SECTION

## HF 500 DIMENSIONS



### THREE PHASE ELECTRIC MOTOR DIMENSION

MOTOR	FRAME	A
2.2-4.0 KW	D100/D112	326/335
5.5-7.5 KW	D132	305/420
11-15 KW	D160	510
18.5-22 KW	D180	590
30 KW	D200	660
37-45 KW	D225	705
55 KW	D250	730

### TANK DIMENSIONS

TANK CAPACITY	B	C	D	E
39 Litre	335	428	375	470
58 Litre	365	548	470	600
75 Litre	455	548	470	600
100 Litre	505	625	520	675
165 Litre	555	755	620	805
200 Litre	560	820	640	900
250 Litre	580	930	690	1010
300 Litre	580	1070	700	1150
400 Litre	580	1434	735	1514
630 Litre	770	1434	945	1514

### SINGLE PHASE ELECTRIC MOTOR DIMENSION

MOTOR	FRAME	A
2.2	D100	320
3 KW	D112	340

# UP50 MINI-FLOW HYDRAULIC POWER PACK **FLOWFIT**



The UP50 series of standard power packs is based on a range of 12vdc, 24vdc, 48vdc, 240v 1 phase and 415v 3 phase motors from 0.12kw to 2.2kw.

Supplied fully assembled and tested, these units offer pressures up to 230 bar and flows up to 4.75lpm.

All components in stock ready to assemble for immediate delivery.

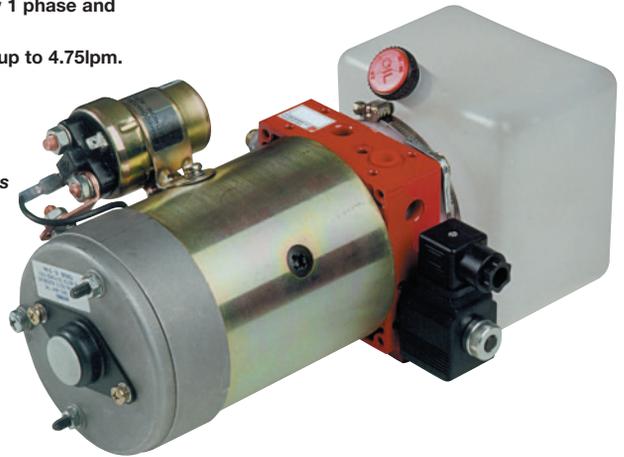
Mini hydraulic powerunits offering mini flows suitable for single acting, double acting, and fully reversible circuits.

Pumps: 0.25cc/rev-2.3cc/rev  
Flows: from 0.25 litre up to 4.75 l/min  
Working pressures: up to 230 bar.  
Tanks: 0.5litre up to 4 litre.

Electric motors  
12vdc: 350w-2000w  
24vdc: 400w-2500w  
48vdc: 2000w  
220/240v/ac: 120w-750w  
415v: 120w-750w  
110V: 120w-750w

All UP50 assembled powerunits come complete as standard with the following components.

- Electric motor DC/AC
- Bucher gear pump.
- Bucher central housing
- Main relief valve
- Check valve
- Drive coupling
- Motor flange
- Suction Filter 216 micron
- Return filter conveyor 150 micron



## TO GENERATE YOUR FULL ORDER NUMBER SELECT THE COSTING CODE OR EACH COMPONENT

COSTING CODE	FLOW L/MIN	MAX PRESS BAR	MOTOR SIZE KW	MOTOR TYPE	PRICE
<b>12VDC MOTOR</b>					
UP50/1	0.75	200	350w	12vdc	£683.34
UP50/2	1.3	200	350w	12vdc	£683.34
UP50/3	1.5	200	350w	12vdc	£683.34
UP50/4	2	150	350w	12vdc	£683.34
UP50/5	2.5	125	350w	12vdc	£683.34
UP50/6	3.7	75	350w	12vdc	£683.34
<b>12VDC MOTOR</b>					
UP50/7	1.2	200	800w	12vdc	£683.34
UP50/8	2.2	200	800w	12vdc	£683.34
UP50/9	2.6	200	800w	12vdc	£683.34
UP50/10	2.8	200	800w	12vdc	£683.34
UP50/11	3	200	800w	12vdc	£683.34
UP50/12	3.5	160	800w	12vdc	£683.34
<b>12VDC MOTOR</b>					
UP50/13	1.2	200	2000w	12vdc	£683.34
UP50/14	2	200	2000w	12vdc	£683.34
UP50/15	2.5	200	2000w	12vdc	£683.34
UP50/16	3	200	2000w	12vdc	£683.34
UP50/17	3.75	200	2000w	12vdc	£683.34
UP50/18	4.75	175	2000w	12vdc	£683.34
<b>24VDC MOTOR</b>					
UP50/19	1	200	400w	24vdc	£683.34
UP50/20	1.25	200	400w	24vdc	£683.34
UP50/21	1.6	175	400w	24vdc	£683.34
UP50/22	2.2	150	400w	24vdc	£683.34
UP50/23	3	125	400w	24vdc	£683.34
UP50/24	4.4	75	400w	24vdc	£683.34
<b>24VDC MOTOR</b>					
UP50/28	2.75	175	900w	24vdc	£820.01
UP50/29	3	175	900w	24vdc	£820.01
<b>24VDC MOTOR</b>					
UP50/31	1	200	2200w	24vdc	£863.74
UP50/32	1.75	200	2200w	24vdc	£863.74
UP50/33	2.25	200	2200w	24vdc	£863.74
UP50/34	2.75	200	2200w	24vdc	£863.74
UP50/35	3.5	200	2200w	24vdc	£863.74
UP50/36	4.4	200	2200w	24vdc	£863.74
<b>240VAC UNIT 4 POLE MOTOR</b>					
UP50/37	0.37	165	120w	240vac	£446.46
UP50/38	0.75	120	180w	240vac	£446.46
UP50/39	1.12	110	250w	240vac	£446.46
UP50/40	1.35	140	370w	240vac	£464.66
UP50/41	1.35	210	750w	240vac	£541.21
UP50/42	2.4	115	550w	240vac	£522.98
UP50/43	3.45	110	750w	240vac	£541.21
<b>415VAC UNIT 4 POLE MOTOR</b>					
UP50/44	0.37	165	120w	415vac	£459.20
UP50/45	0.75	120	180w	415vac	£459.20
UP50/46	1.12	110	250w	415vac	£459.20
UP50/47	1.35	140	370w	415vac	£464.66
UP50/48	1.35	210	750W	415vac	£541.21
UP50/49	2.4	115	550w	415vac	£510.23
UP50/50	3.45	110	750w	415vac	£541.21
<b>48VDC UNIT</b>					
48VDC UNITS			ADD TO 24VDC PRICES ABOVE		£182.22

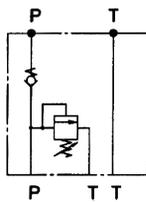
### EXAMPLE

STEP 1  
SELECT MOTOR

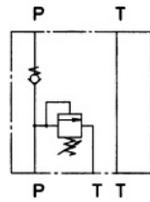
EG:  
UP50/44  
£459.09

CONTINUED ON  
NEXT PAGE

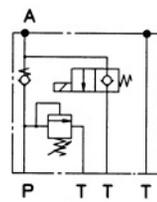
COSTING CODE	CIRCUIT TYPES	PRICE
K17	P AND T threaded ports 1/4"bsp	£0.00
K03	Double acting circuit arranged with subplate for electro valve mounting.(Valves not included.)	£0.00
K41	Single acting circuit (Valve not included)	£0.00
K50	Reversible circuit c/w double pilot check valve and dual port relief included.	£264.23



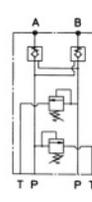
K17



K03



K41



K50

**STEP 2**  
**SELECT**  
**CIRCUIT TYPE**

**EG:**  
**K17**  
**£0.00**

MANUAL COSTING CODE	CONTROL VALVES	PRICE
ZR817/22TV	Manual release valve screw in type (K41 only)	£156.55
ZRZR817/22TVMS	Manual lever control c/w safety lock and microswitch (K41)	£198.62
<b>SOLENOID</b>		
NOV*****	Normally open valve for single acting any voltage.(K41 only)	£194.99
NCV*****	Normally closed valve for single acting any voltage.(K41 only)	£153.06
6013SOL	One double or single electro valve c/w manifold.(K03 only)	£402.72
6023SOL	Two double and/or single electro valves c/w manifold. (K03 only)	£725.26
XXX	Not required	£0.00
<b>EXTRAS</b>		
VRC	Throttle compensated flow valve (K41 only)	£32.05
SMB	Steel mounting bracket for fitting to housing.	£17.31
DCM	Plastic motor cover for DC motors.	£30.07

\*\*\*\*\* = 12vdc,24vdc,24vac,110vac and 220vac

**STEP 3**  
**SELECT**  
**VALVES**

**EG:**  
**XXX**  
**£0.00**

COSTING CODE	RESERVOIR SIZES	PRICE
XXX	NO TANK FITTED FLANGE KIT ONLY SUPPLIED	£11.84
0.5L	0.5 LITRE PLASTIC	£34.63
1L	1 LITRE PLASTIC	£40.08
1.5L	1.5 LITRE PLASTIC	£43.73
1.6L	1.6 LITRE PLASTIC	£48.28
2.5L	2.5 LITRE PLASTIC	£56.77
4L	4 LITRE PLASTIC	£63.78

**STEP 4**  
**SELECT**  
**RESERVOIR**

**4L**  
**£63.78**

COSTING CODE	ORIENTATION	PRICE
HOR	HORIZONTAL	£0.00
VER	VERTICAL	£0.00

**STEP 5**  
**SELECT**  
**ORIENTATION**

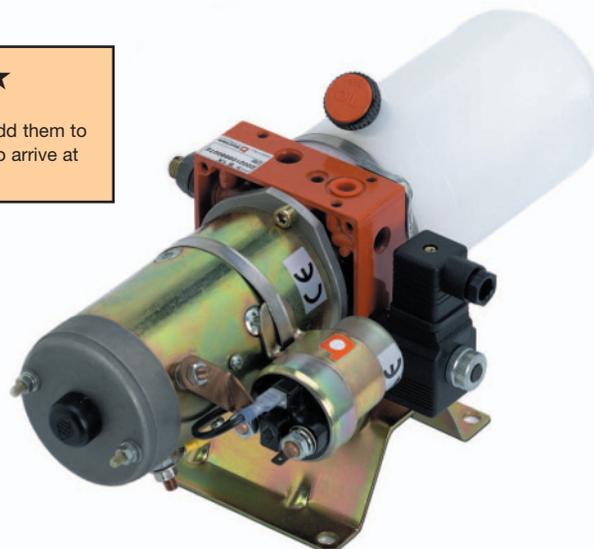
**HOR**  
**£0.00**

Download a full pdf technical catalogue on the Bucher UP50 range at [www.flowfitonline.co.uk](http://www.flowfitonline.co.uk)

**ALL POWER PACKS ARE FULLY ASSEMBLED AND TESTED  
ISSUED WITH 12 MONTHS WARRANTY FROM INVOICE DATE**

**★★ PRICE PROMISE ★★**

Need more equipment on your power unit.  
Just select the items you need from our catalogue, add them to your powerpack and take off the relevant discount to arrive at your nett price.



**FULL ORDER NUMBER  
FOR EXAMPLE SHOWN**

**UP50/44 K17  
XXX 4L HOR**

**TOTAL COST OF  
EXAMPLE SHOWN  
£522.98**

**BUCHER**  
**HYDRAULICS**

# ET-ELECTRIC DC MOTOR PUMP SET



The ET series of standard motor pump sets is based on a range of 12vdc, 24vdc and 48vdc electric motors.

Supplied fully assembled and tested. These units offer pressures up to 200 bar and flows up to 22.5lpm.

All components in stock ready to assemble for immediate delivery.

- Commonly referred to as an 'Emergency' or 'Backup' pump.
- Small electric DC motor pump unit to supply hydraulic power as flow and pressure to hydraulic circuits or as a system back up.
- The electro-motor-pumps are largely used on operating machines such as mobile machines, automotive applications, small truck mounted cranes, electro-hydraulic steering and where through simple valves and hose connections it is possible to operate and control different hydraulic actuators.
- All ET motor pump sets complete with DC Electric motor c/w relay, drive coupling, pump flange and a gear pump c/w bsp threaded ports. Unit supplied with a steel mounting flange.
- Used on applications where control valves are mounted away from the powerpack.
- Can be mounted in any position.
- Also available other pump and motor sizes from 0.8KW (800w) to 3KW (3000w). For all other input voltages 12vdc, 24vdc or 48vdc and power ratings, and specific running times please download the ET pdf file or consult our sales department.
- Noise levels have been drastically reduced.
- Please note restricted running times apply check suitable for your application- continuous rated dc motors are available upon request.



12VDC FOR INTERMITTENT DUTY CYCLE.		BUCHER CODING	FLOW L/MIN	MAX PRESS BAR	MOTOR SIZE KW	MOTOR TYPE	PRICE
PART NUMBER							
ET/1.2/12VDC		T107E/R106/E45/AP100/1.2/319	4	200	1.7	12vdc	£544.86
ET/1.7/12VDC		T107E/R106/E45/AP100/1.7/319	4.5	175	1.7	12vdc	£544.86
ET/2.5/12VDC		T107E/R106/E45/AP100/2.5/319	9	150	1.7	12vdc	£544.86
ET/3.5/12VDC		T107E/R106/E45/AP100/3.5/319	9.5	100	1.7	12vdc	£544.86
ET/4.3/12VDC		T107E/R106/E45/AP100/4.3/319	12	75	1.7	12vdc	£544.86
ET/5/12VDC		T107E/R106/E45/AP100/5/319	13.5	75	1.7	12vdc	£544.86
ET/6.5/12VDC		T107E/R106/E45/AP100/6.5/319	17	50	1.7	12vdc	£550.32
ET/8/12VDC		T107E/R106/E45/AP1008/319	22.5	25	1.7	12vdc	£553.96

24VDC FOR INTERMITTENT DUTY CYCLE.		BUCHER CODING	FLOW L/MIN	MAX PRESS BAR	MOTOR SIZE KW	MOTOR TYPE	PRICE
PART NUMBER							
ET/1.2/24VDC		T109E/R209/E45/AP100/1.2/319	4	200	2.2	24vdc	£713.96
ET/1.7/24VDC		T109E/R209/E45/AP100/1.7/319	4.5	200	2.2	24vdc	£713.96
ET/2.5/24VDC		T109E/R209/E45/AP100/2.5/319	6	200	2.2	24vdc	£713.96
ET/3.5/24VDC		T109E/R209/E45/AP100/3.5/319	7	175	2.2	24vdc	£713.96
ET/4.3/24VDC		T109E/R209/E45/AP100/4.3/319	8	150	2.2	24vdc	£713.96
ET/5/24VDC		T109E/R209/E45/AP100/5/319	9	125	2.2	24vdc	£713.96
ET/6.5/24VDC		T109E/R209/E45/AP100/6.5/319	12.5	100	2.2	24vdc	£713.96
ET/8/24VDC		T109E/R209/E45/AP1008/319	16	75	2.2	24vdc	£713.96

All motor pump sets above will deliver more flow at lower pressure.

24VDC FOR CONTINUOUS DUTY CYCLE.		BUCHER CODING	FLOW L/MIN	MAX PRESS BAR	MOTOR SIZE KW	MOTOR TYPE	PRICE
PART NUMBER							
ET/54/4.5/24VDC		ET/54/4.5/24VDC	8	150	2.2	24vdc	£1977.13
ET/54/6.5/24VDC		ET/54/6.5/24VDC	12.5	100	2.2	24vdc	£1977.13
ET/54/8.5/24VDC		ET/54/8.5/24VDC	16	75	2.2	24vdc	£1977.13

OPTIONAL EXTRAS		PRICE
RV	Relief valve fitted to the pump.	£171.30
SMB	Steel mounting bracket for fitting to housing.	£17.31
DCM	Plastic motor cover for DC motors.	£30.07

ALL POWER PACKS ARE FULLY ASSEMBLED AND TESTED • ISSUED WITH 12 MONTHS WARRANTY FROM INVOICE DATE

## ★★ PRICE PROMISE ★★

Need more equipment on your power unit. Just select the items you need from our catalogue, add them to your powerpack and take off the relevant discount to arrive at your nett price.

FOR HYDRAULIC TANKS SEE STEEL & STAINLESS STEEL OIL TANKS SECTION	FOR FILLER BREATHERS SEE FILTRATION SECTION	FOR LEVEL INDICATORS SEE FILTRATION SECTION	FOR RETURN LINE FILTERS SEE FILTRATION SECTION	FOR CARTRIDGE VALVES SEE HYDRAULIC CARTRIDGE VALVES SECTION	FOR PRESSURE FILTERS SEE FILTRATION SECTION	FOR CETOP VALVES SEE HYDRAULIC CETOP VALVES SECTION



# HF800 HONDA PETROL ENGINE DRIVEN POWER PACKS



The HF700 series of petrol driven power packs is based on a range of Honda petrol engines from 2.6kw – 15.3kw on request.

Supplied fully assembled and tested, These units offer pressures up to 210 bar and flows up to 63 l/min on request.

All components in stock ready to assemble for immediate delivery.

Electric start models have a key start.

**ALL POWER PACKS ARE FULLY ASSEMBLED AND TESTED  
ISSUED WITH 12 MONTHS WARRANTY FROM INVOICE DATE**

**THE HF800 BASIC PETROL DRIVEN POWER PACKS CONSISTS OF:**

- HONDA AIR COOLED 4 STROKE OHV PETROL ENGINE
- GALTECH GEAR PUMP
- FLOWFIT BELL HOUSING AND DRIVE COUPLING
- IKRON TANK TOP RETURN LINE FILTER 10 MICRON C/W VISUAL INDICATOR
- FLOWFIT 45 LITRE RESERVOIR C/W REMOVEABLE LID
- IKRON FILLER BREATHER AND IKRON SUCTION STRAINER 125 MICRON
- FILTREC LEVEL AND TEMP INDICATOR
- PRESSURE GAUGE
- ASSEMBLED, MOUNTED ON A FRAME AND TESTED
- PAINTED BLACK

**POWERED by  
HONDA™**



HONDA GX160



HONDA GX270



HONDA GX390

**TO GENERATE YOUR FULL ORDER NUMBER SELECT THE COSTING CODE OR EACH COMPONENT**

PART NO	HONDA ENGINE TYPE	KW 3600 RPM	HP 3600 RPM	ENGINE START	PERFORMANCE L/MIN @ PSI	PUMP TYPE	OIL ALERT YES / NO	DIMENSIONS L X W X H (MM)	PRICE
ZZ001754	GX160UT1QX4	2.6	5.5	PULL	10.5 L/MIN @ 3000PSI	GEAR	YES	1015 x 385 x 600	£2356.00
ZZ001758	GX270UT2QXQ4	3.6	9.5	PULL	19.5 L/MIN @ 1500PSI	GEAR	YES	1015 x 385 x 600	£2836.81
ZZ001760	GX390UT2QXQ4	5.3	13	PULL	24 L/MIN @ 1500PSI	GEAR	YES	1015 x 385 x 600	£3558.04

## EXAMPLE

**STEP 1  
SELECT  
ENGINE  
TYPE**

**EG:  
ZZ001754  
£2,356.00**

**IF YOU NEED HIGHER FLOWS AND PRESSURES PLEASE ASK**



COSTING CODE	ADD ON EXTRAS	PRICE
PG1	PRESSURE GAUGE 0-1000PSI PLUS ISOLATOR	£35.55
PG2	PRESSURE GAUGE 0-2000PSI PLUS ISOLATOR	£35.55
PG4	PRESSURE GAUGE 0-4000PSI PLUS ISOLATOR	£35.55
PG6	PRESSURE GAUGE 0-6000PSI PLUS ISOLATOR	£35.55
XXX	NOT REQUIRED	£0.00

**STEP 2**  
SELECT ADD ON EXTRAS

EG:  
PG4  
£32.92



CETOP 3 M/FOLD PART NO REF	COSTING CODE	PART NO	PRICE
CETOP 3 1STN M/FOLD	31	105161/1	£112.71
CETOP 3 2STN M/FOLD	32	105161/2	£166.55
CETOP 3 3STN M/FOLD	33	105161/3	£214.09
CETOP 3 4STN M/FOLD	34	105161/4	£301.86
NO MANIFOLD NEEDED	XXX		£0.00

**STEP 3**  
SELECT CETOP 3 MANIFOLD

EG:  
XXX  
£0.00



CETOP 3 VALVES 315 BAR MAX PRESSURE	COSTING CODE	PRICE
NG 6 D/ACTING VALVE	NG6D	£173.12
NG 6 S/ACTING VALVE	NG6S	£123.90
NO VALVES NEEDED	XXX	£0.00

**STEP 4**  
SELECT CETOP 3 VALVES

EG:  
XXX  
£0.00



45LTR DIRECTIONAL CONTROL VALVE 400 BAR MAX PRESSURE HDM11P/HDM11S	COSTING CODE	PART NO	PRICE
3/8" 1 BANK D/ACTING S/RETURN VALVE	P1	HDM140/1	£147.00
3/8" 2 BANK D/ACTING S/RETURN VALVE	P2	HDM11P/2	£289.69
3/8" 3 BANK D/ACTING S/RETURN VALVE	P3	HDM11P/3	£377.60
3/8" 4 BANK D/ACTING S/RETURN VALVE	P4	HDM11P/4	£465.52
3/8" 5 BANK D/ACTING S/RETURN VALVE	P5	HDM11P/5	£575.06
3/8" 6 BANK D/ACTING S/RETURN VALVE	P6	HDM11P/6	£691.79
1/2" 1 BANK D/ACTING S/RETURN VALVE	S1	HDM11S/1	£240.68
1/2" 2 BANK D/ACTING S/RETURN VALVE	S2	HDM11S/2	£331.47
1/2" 3 BANK D/ACTING S/RETURN VALVE	S3	HDM11S/3	£439.58
1/2" 4 BANK D/ACTING S/RETURN VALVE	S4	HDM11S/4	£536.15
1/2" 5 BANK D/ACTING S/RETURN VALVE	S5	HDM11S/5	£638.47
1/2" 6 BANK D/ACTING S/RETURN VALVE	S6	HDM11S/6	£746.56
NO VALVES NEEDED	XXX		£0.00

**STEP 5**  
SELECT DIRECTIONAL CONTROL VALVE

EG:  
XXX  
£0.00

FULL ORDER NUMBER FOR EXAMPLE SHOWN  
**ZZ001754-PG4-XXX-XXX-XXX**

TOTAL COST OF EXAMPLE SHOWN  
**£2,391.55**

★★ **PRICE PROMISE** ★★

Need more equipment on your power unit. Just select the items you need from our catalogue, add them to your powerpack and take off the relevant discount to arrive at your nett price.



FOR HYDRAULIC CONTROL VALVES SEE HYDRAULIC CONTROL VALVES SECTION	FOR CETOP VALVES SEE HYDRAULIC CETOP VALVES SECTION	FOR CARTRIDGE VALVES SEE HYDRAULIC CARTRIDGE VALVES SECTION	FOR SOLENOID VALVES SEE HYDRAULIC CONTROL VALVES SECTION

# HF700 PETROL ENGINE DRIVEN POWER PACKS



The HF700 series of petrol driven power packs is based on a range of Loncin petrol engines from 2.6kw – 15.3kw on request.  
 Supplied fully assembled and tested, These units offer pressures up to 210 bar and flows up to 63 l/min on request.  
 All components in stock ready to assemble for immediate delivery.  
 Electric start models have a key start.  
**ALL POWER PACKS ARE FULLY ASSEMBLED AND TESTED  
 ISSUED WITH 12 MONTHS WARRANTY FROM INVOICE DATE**

**THE HF700 BASIC PETROL DRIVEN POWER PACKS CONSISTS OF:**

- LONCIN AIR COOLED 4 STROKE OHV PETROL ENGINE
- GALTECH GEAR PUMP
- FLOWFIT BELL HOUSING AND DRIVE COUPLING
- IKRON TANK TOP RETURN LINE FILTER 10 MICRON C/W VISUAL INDICATOR
- FLOWFIT 45 LITRE RESERVOIR C/W REMOVEABLE LID
- IKRON FILLER BREATHER AND IKRON SUCTION STRAINER 125 MICRON
- FILTREC LEVEL AND TEMP INDICATOR
- PRESSURE GAUGE
- ASSEMBLED, MOUNTED ON A FRAME AND TESTED
- PAINTED BLACK



LONCIN G160FQ



LONCIN G270FQ



LONCIN G390FQ

**TO GENERATE YOUR FULL ORDER NUMBER SELECT THE COSTING CODE OR EACH COMPONENT**

PART NO	LONCIN ENGINE TYPE	KW 3600 RPM	HP 3600 RPM	ENGINE START	PERFORMANCE L/MIN @ PSI	PUMP TYPE	OIL ALERT YES / NO	DIMENSIONS L X W X H (MM)	PRICE
ZZ001362	G160FQ	4	5.5	PULL	10.5 L/MIN @ 3000PSI	GEAR	YES	1015 x 385 x 600	£2,043.47
ZZ001758	G270FQ	6.7	9.5	PULL	19.5 L/MIN @ 1500PSI	GEAR	YES	1015 x 385 x 600	£2,259.84
ZZ001760	G390FQ	9.7	13	PULL	24 L/MIN @ 1500PSI	GEAR	YES	1015 x 385 x 600	£2,343.98

**EXAMPLE**

**STEP 1  
 SELECT  
 ENGINE  
 TYPE**

**EG:  
 ZZ001362  
 £2,043.47**

**IF YOU NEED HIGHER FLOWS AND PRESSURES PLEASE ASK**



COSTING CODE	ADD ON EXTRAS	PRICE
PG1	PRESSURE GAUGE 0-1000PSI PLUS ISOLATOR	£35.55
PG2	PRESSURE GAUGE 0-2000PSI PLUS ISOLATOR	£35.55
PG4	PRESSURE GAUGE 0-4000PSI PLUS ISOLATOR	£35.55
PG6	PRESSURE GAUGE 0-6000PSI PLUS ISOLATOR	£35.55
XXX	NOT REQUIRED	£0.00

**STEP 2**  
SELECT ADD ON  
EXTRAS

EG:  
PG4  
**£32.92**



CETOP 3 M/FOLD PART NO REF	COSTING CODE	PART NO	PRICE
CETOP 3 1STN M/FOLD	31	105161/1	£112.81
CETOP 3 2STN M/FOLD	32	105161/2	£166.55
CETOP 3 3STN M/FOLD	33	105161/3	£214.09
CETOP 3 4STN M/FOLD	34	105161/4	£301.86
NO MANIFOLD NEEDED	XXX		£0.00

**STEP 3**  
SELECT CETOP 3  
MANIFOLD

EG:  
XXX  
**£0.00**



CETOP 3 VALVES 315 BAR MAX PRESSURE	COSTING CODE	PRICE
NG 6 D/ACTING VALVE	NG6D	£173.12
NG 6 S/ACTING VALVE	NG6S	£123.90
NO VALVES NEEDED	XXX	£0.00

**STEP 4**  
SELECT CETOP 3  
VALVES

EG:  
XXX  
**£0.00**



45LTR DIRECTIONAL CONTROL VALVE 400 BAR MAX PRESSURE HDM11P/HDM11S	COSTING CODE	PART NO	PRICE
3/8" 1 BANK D/ACTING S/RETURN VALVE	P1	HDM140/1	£147.00
3/8" 2 BANK D/ACTING S/RETURN VALVE	P2	HDM11P/2	£289.69
3/8" 3 BANK D/ACTING S/RETURN VALVE	P3	HDM11P/3	£377.60
3/8" 4 BANK D/ACTING S/RETURN VALVE	P4	HDM11P/4	£465.52
3/8" 5 BANK D/ACTING S/RETURN VALVE	P5	HDM11P/5	£575.06
3/8" 6 BANK D/ACTING S/RETURN VALVE	P6	HDM11P/6	£691.79
1/2" 1 BANK D/ACTING S/RETURN VALVE	S1	HDM11S/1	£240.68
1/2" 2 BANK D/ACTING S/RETURN VALVE	S2	HDM11S/2	£331.47
1/2" 3 BANK D/ACTING S/RETURN VALVE	S3	HDM11S/3	£446.45
1/2" 4 BANK D/ACTING S/RETURN VALVE	S4	HDM11S/4	£536.15
1/2" 5 BANK D/ACTING S/RETURN VALVE	S5	HDM11S/5	£638.47
1/2" 6 BANK D/ACTING S/RETURN VALVE	S6	HDM11S/6	£746.56
NO VALVES NEEDED	XXX		£0.00

**STEP 5**  
SELECT DIRECTIONAL  
CONTROL VALVE

EG:  
XXX  
**£0.00**

FULL ORDER NUMBER  
FOR EXAMPLE SHOWN  
**ZZ001362-PG4-XXX  
-XXX-XXX**

TOTAL COST OF  
EXAMPLE SHOWN  
**£2079.02**

★★ **PRICE PROMISE** ★★

Need more equipment on your power unit. Just select the items you need from our catalogue, add them to your powerpack and take off the relevant discount to arrive at your nett price.

# FLOWFIT

FOR HYDRAULIC CONTROL VALVES SEE HYDRAULIC CONTROL VALVES SECTION	FOR CETOP VALVES SEE HYDRAULIC CETOP VALVES SECTION	FOR CARTRIDGE VALVES SEE HYDRAULIC CARTRIDGE VALVES SECTION	FOR SOLENOID VALVES SEE HYDRAULIC CONTROL VALVES SECTION

# HF900 HATZ DIESEL ENGINE DRIVEN POWER PACKS



The HF900 series of diesel driven power packs is based on a range of HATZ diesel engines from 7.4kw – 50kw on request.  
 Supplied fully assembled and tested, These units can offer pressures up to 350 bar and flows up to 250 l/min on request.  
 All components in stock ready to assemble for immediate delivery.  
**ALL POWER PACKS ARE FULLY ASSEMBLED PRIOR TO DESPATCH.**  
**ISSUED WITH 12 MONTHS WARRANTY FROM INVOICE DATE**

**THE HF900 BASIC DIESEL DRIVEN POWER PACKS CONSISTS OF:**

- HATZ SINGLE CYLINDER DIESEL ENGINE
- GALTECH GEAR PUMP
- FLOWFIT BELL HOUSING AND DRIVE COUPLING
- IKRON TANK TOP RETURN LINE FILTER 10 MICRON C/W VISUAL INDICATOR
- FLOWFIT 45 LITRE RESERVOIR C/W REMOVEABLE LID
- IKRON FILLER BREATHER AND IKRON SUCTION STRAINER 125 MICRON
- FILTREC LEVEL AND TEMP INDICATOR
- PRESSURE GAUGE
- ASSEMBLED, MOUNTED ON A FRAME AND TESTED
- PAINTED BLACK
- COMPLETE WITH DOUBLE ACTING VALVE, BUCHER HDM140 C/W MAIN RELIEF, DOUBLE ACTING SPOOL C/W 3 POSITION SPRING RETURN AND LEVER OPERATED



HATZ 1D50Z



HATZ 2G40

**TO GENERATE YOUR FULL ORDER NUMBER SELECT THE COSTING CODE OR EACH COMPONENT**

PART NO	HATZ ENGINE TYPE	KW 3600 RPM	HP 3600 RPM	ENGINE START	PERFORMANCE L/MIN @ PSI	PUMP TYPE	OIL ALERT YES / NO	DIMENSIONS L X W X H (MM)	PRICE
ZZ001422	1D50Z	7.5	10	*HANDLE	18 L/MIN @ 2900PSI	GEAR	YES	1015 x 385 x 600	£5037.12
ZZ001640	2G40	14.7	19.7	12 VOLT	36 L/MIN @ 2900PSI	GEAR	YES	1015 x 385 x 600	£9158.40

\*12V START AVAILABLE ON REQUEST

**EXAMPLE**

**STEP 1  
 SELECT  
 ENGINE  
 TYPE**

**EG:  
 ZZ001422  
 £5037.12**

**IF YOU NEED HIGHER FLOWS AND PRESSURES PLEASE ASK,  
 DIESEL ENGINES AVAILABLE UP TO 60KW**



COSTING CODE	ADD ON EXTRAS	PRICE
PG1	PRESSURE GAUGE 0-1000PSI PLUS ISOLATOR	£35.55
PG2	PRESSURE GAUGE 0-2000PSI PLUS ISOLATOR	£35.55
PG4	PRESSURE GAUGE 0-4000PSI PLUS ISOLATOR	£35.55
PG6	PRESSURE GAUGE 0-6000PSI PLUS ISOLATOR	£35.55
XXX	NOT REQUIRED	£0.00

**STEP 2**  
**SELECT ADD ON EXTRAS**  
 EG:  
**PG4**  
**£32.92**



CETOP 3 M/FOLD PART NO REF	COSTING CODE	PART NO	PRICE
CETOP 3 1STN M/FOLD	31	105161/1	£112.71
CETOP 3 2STN M/FOLD	32	105161/2	£166.55
CETOP 3 3STN M/FOLD	33	105161/3	£214.09
CETOP 3 4STN M/FOLD	34	105161/4	£301.86
NO MANIFOLD NEEDED	XXX		£0.00

**STEP 3**  
**SELECT CETOP 3 MANIFOLD**  
 EG:  
**XXX**  
**£0.00**



CETOP 3 VALVES 315 BAR MAX PRESSURE	COSTING CODE	PRICE
NG 6 D/ACTING VALVE	NG6D	£173.12
NG 6 S/ACTING VALVE	NG6S	£123.90
NO VALVES NEEDED	XXX	£0.00

**STEP 4**  
**SELECT CETOP 3 VALVES**  
 EG:  
**XXX**  
**£0.00**



45LTR DIRECTIONAL CONTROL VALVE 400 BAR MAX PRESSURE	COSTING CODE	PART NO	PRICE
HDM11P/HDM11S			
3/8" 1 BANK D/ACTING S/RETURN VALVE	P1	HDM140/1	£147.00
3/8" 2 BANK D/ACTING S/RETURN VALVE	P2	HDM11P/2	£289.69
3/8" 3 BANK D/ACTING S/RETURN VALVE	P3	HDM11P/3	£377.60
3/8" 4 BANK D/ACTING S/RETURN VALVE	P4	HDM11P/4	£465.52
3/8" 5 BANK D/ACTING S/RETURN VALVE	P5	HDM11P/5	£575.06
3/8" 6 BANK D/ACTING S/RETURN VALVE	P6	HDM11P/6	£691.79
1/2" 1 BANK D/ACTING S/RETURN VALVE	S1	HDM11S/1	£240.68
1/2" 2 BANK D/ACTING S/RETURN VALVE	S2	HDM11S/2	£331.47
1/2" 3 BANK D/ACTING S/RETURN VALVE	S3	HDM11S/3	£446.45
1/2" 4 BANK D/ACTING S/RETURN VALVE	S4	HDM11S/4	£536.13
1/2" 5 BANK D/ACTING S/RETURN VALVE	S5	HDM11S/5	£638.47
1/2" 6 BANK D/ACTING S/RETURN VALVE	S6	HDM11S/6	£746.56
NO VALVES NEEDED	XXX		£0.00

**STEP 5**  
**SELECT DIRECTIONAL CONTROL VALVE**  
 EG:  
**XXX**  
**£0.00**

**FULL ORDER NUMBER FOR EXAMPLE SHOWN**  
**ZZ001422-PG4-XXX**  
**-XXX-XXX**  
**TOTAL COST OF EXAMPLE SHOWN**  
**£5072.67**

★★ **PRICE PROMISE** ★★

Need more equipment on your power unit. Just select the items you need from our catalogue, add them to your powerpack and take off the relevant discount to arrive at your nett price.



FOR HYDRAULIC CONTROL VALVES SEE HYDRAULIC CONTROL VALVES SECTION	FOR CETOP VALVES SEE HYDRAULIC CETOP VALVES SECTION	FOR CARTRIDGE VALVES SEE HYDRAULIC CARTRIDGE VALVES SECTION	FOR SOLENOID VALVES SEE HYDRAULIC CONTROL VALVES SECTION

## CUSTOM BUILT POWER UNITS TO SUIT YOUR APPLICATIONS

Have a Flowfit custom built power unit to meet your exact requirements.

We can build power units for use in agricultural implements, sawmills, mining applications, quarries, compactors, landfills, material handling equipment, automotive plants, transportation, hanger door openers, man lifts, light industrial and wind turbine applications plus many more.

We can add a variety of custom features including DC backups for AC units, handpumps, explosion proof motors, oil coolers, heat exchangers, oil heaters, solenoid or manual valves, kidney loop filtration, offline filtration, tandem and triple pumps and two stage pumps.

Our Flowfit Power Unit Technical Support Team are here to assist you with all your power unit needs.

Give us a call today for assistance with any questions you may have.

For a no-obligation priced quotation please complete this form.

**Fax: 0044 1584 876044**  
**Email: sales@flowfitonline.com**

## FLOWFIT CUSTOM BUILT WORKSHEET

Customer Name .....	
Company Name .....	
Address .....	
Town/City .....	County .....
Postcode .....	Country .....
Phone .....	Fax .....
Email .....	Website .....
Mobile .....	

**Description of Application**

**Hydraulic schematic or hose layout**

PLEASE ENTER THE DETAILS YOU KNOW AS A STARTING POINT

PLEASE ENTER THE DETAILS YOU KNOW AS A STARTING POINT

**POWER SOURCE**

PETROL  \_\_\_\_\_ HP \_\_\_\_\_ KW DIESEL  \_\_\_\_\_ HP \_\_\_\_\_ KW  
ELECTRIC MOTOR  \_\_\_\_\_ phase \_\_\_\_\_ voltage  
\_\_\_\_\_ Hz  AC \_\_\_\_\_ DC  
PHASE  Single  Three  
FLOW REQUIRED \_\_\_\_\_ Gallons \_\_\_\_\_ Litres  
FLUID BEING USED \_\_\_\_\_  
SPEED FOR ADVISED FLOW REQUIREMENT \_\_\_\_\_ RPM  
PRESSURE REQUIRED \_\_\_\_\_ PSI \_\_\_\_\_ BAR  
SPECIAL COMMENTS OR NEEDS:  
\_\_\_\_\_

**TANK/RESERVOIR SIZE**

SIZE REQUIRED \_\_\_\_\_ LITRES \_\_\_\_\_ GALLONS  
Please note we normally recommend anywhere from 3 to 10 times pump flow for correct tank sizing.  
PHYSICAL SIZE OF CUSTOMISED TANK REQUIRED LENGTH \_\_\_\_\_  
WIDTH \_\_\_\_\_  
HEIGHT \_\_\_\_\_

**PUMP TYPE**

VARIABLE DISPLACEMENT  FIXED DISPLACEMENT

**MAIN RELIEF**

RELIEF SETTING REQUIRED \_\_\_\_\_ PSI RELIEF SETTING REQUIRED \_\_\_\_\_ BAR

**DIRECTIONAL CONTROLS**

MANUAL  SOLENOID  VOLTAGE OF COILS  
NUMBER OF SPOOLS \_\_\_\_\_  
SPOOL ACTION  CLOSED  OPEN  REGENERATIVE  
 FLOAT  TANDEM  SPRING CENTRE  DETENT  
OTHER VALVES NEEDED  
\_\_\_\_\_  
\_\_\_\_\_

**ACCESSORIES**

RETURN LINE FILTER  PRESSURE FILTER  
 PRESSURE GAUGE AND ISOLATOR \_\_\_\_\_ PRESSURE RANGE PSI  
 COOLER REQUIRED \_\_\_\_\_ TYPE REQUIRED  TANK OIL HEATER  
IF OPERATING HYDRAULIC CYLINDERS PLEASE CONFIRM  
BORE \_\_\_\_\_ mm ROD \_\_\_\_\_ mm STROKE \_\_\_\_\_ mm  
SINGLE ACTING  DOUBLE ACTING  \_\_\_\_\_ TONNAGE FORCE REQUIRED.  
IF CYLINDERS WORKING TOGETHER PLEASE ADVISE  
\_\_\_\_\_  
\_\_\_\_\_  
TIME TO EXTEND \_\_\_\_\_ SECS TIME TO RETREAT \_\_\_\_\_ SECS  
DO YOU REQUIRE SINGLE/DOUBLE PILOT CHECK VALVES  DO YOU REQUIRE HOSE BURST VALVES   
IF OPERATING HYDRAULIC MOTORS PLEASE CONFIRM  
SPEED OF MOTOR \_\_\_\_\_ RPM PRESSURE REQUIRED \_\_\_\_\_

THE ABOVE FORMS CONTIAN THE BASIC REQUIREMENTS TO ENABLE OUR FLOWFIT SUPPORT SPECIALIST TO PROCEED WITH A QUOTE.  
WE WILL CONTACT YOU FOR FURTHER INFO REQUIRED.

**Call 01584 876033 Fax 01584 876044 Email sales@flowfitonline.com**



# MOTOR PUMP SETS 240V & 415V

HYDRAULIC MOTOR PUMP SETS 240V AND 415V .....54

**HYDRAULIC MOTOR PUMP SETS ARE DESIGNED TO ALLOW YOU TO MAKE UP YOUR OWN HYDRAULIC POWERPACK SETS AND CONSIST OF AN ELECTRIC MOTOR, HYDRAULIC GEAR PUMP, BELL HOUSING AND DRIVE COUPLING.**

**ELECTRIC MOTOR RATINGS AVAILABLE AT 240V OR 415V CAPABLE OF POWER OUTPUTS RANGING BETWEEN 1.1Kw to 7.5kW WITH RESPECTIVE GEAR PUMP FLOW SPEEDS OF 3.6 LITRES/MINUTE TO 22 LITRES/MINUTE MAXIMISING PUMP EFFICIENCY.**



# FLOWFIT