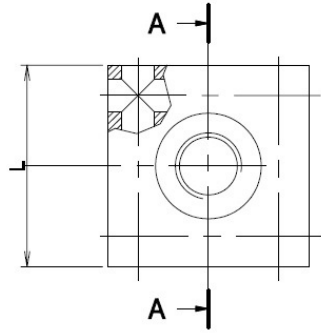


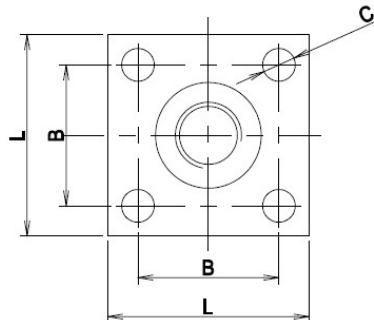
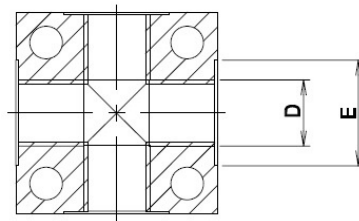
**FLOWFIT**<sup>®</sup>

**MANUFACTURERS AND SUPPLIERS  
OF HYDRAULIC COMPONENTS**

Official UK distributor of



SEZIONE A-A



**CMA04□0-O□-01-OL**

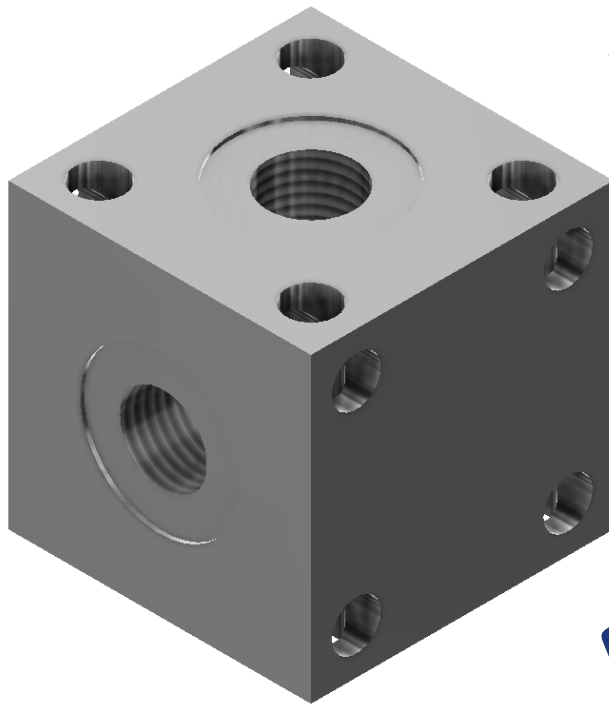
Panel dimension

Thread dimension

**Code**

**Thread**

<b>CMA0440-OA-01-OL</b>	<b>G1/4"</b>
<b>CMA0450-OB-01-OL</b>	<b>G3/8"</b>
<b>CMA0460-OC-01-OL</b>	<b>G1/2"</b>
<b>CMA0470-OD-01-OL</b>	<b>G3/4"</b>
<b>CMA0480-OE-01-OL</b>	<b>G1"</b>



For Information & Enquiries:  
[sales@flowfitonline.com](mailto:sales@flowfitonline.com)

*New  
manifold!*