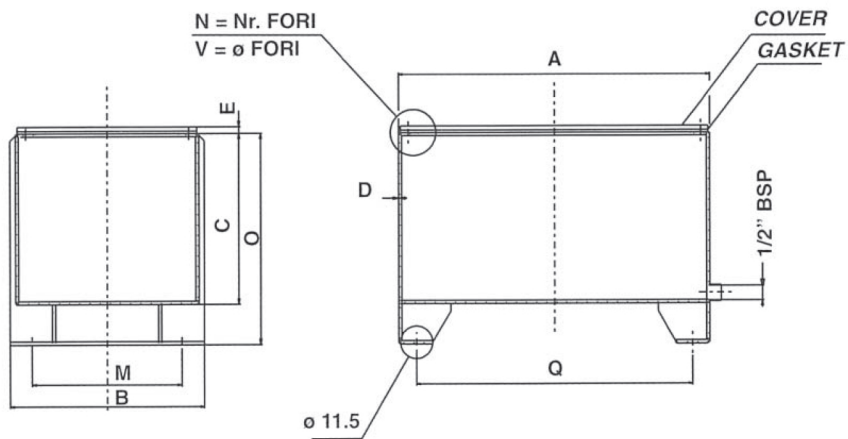


- Made in steel plate with oil and rust proof paint, RAL 9005
- Supplied with covers and drain plug.
- Normal capacity corresponds to 2/3 of the total volume.



Specifications

Oil tank	Capacity (Litres)	Dimensioni / Dimensions (mm)									Fis. coperchio Cover fixing	
		A	B	C	D	E	M	O	Q	N	V	
HF12	14L	335	270	235	2	4	208	290	285	6	M8	
HF16	22L	410	325	250	2	4	270	305	364	6	M8	
HF30	39L	470	375	280	2	4	312	335	428	8	M8	
HF55	58L	600	470	310	2,5	4	401	365	548	10	M8	
HF75	75L	600	470	400	2,5	4	401	455	548	10	M8	
HF100	100L	675	520	450	2,5	4	455	505	625	10	M8	
HF180	165L	805	620	500	2,5	4	555	555	755	10	M8	