



FL SERIES

Fluid level gauges

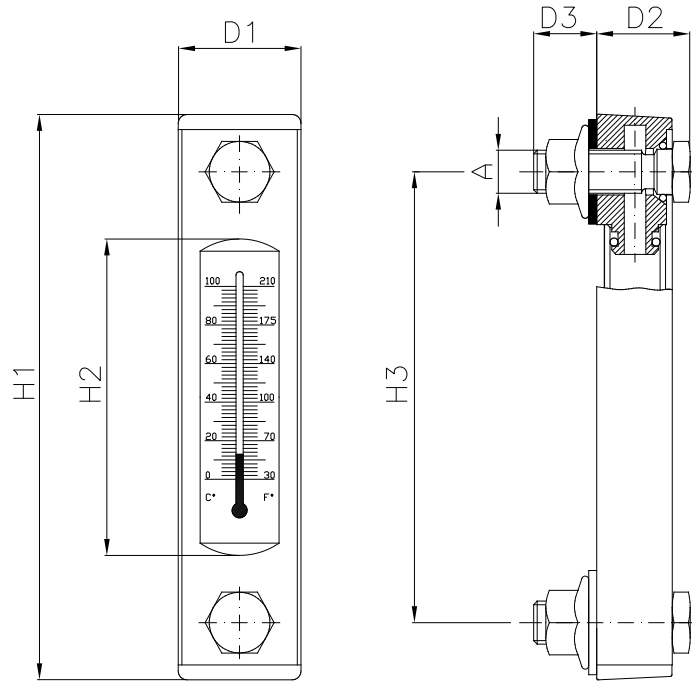
TECHNICAL INFORMATION

PRESSURE:	Max working 1 bar	
FIXING SCREWS:	Metric – Tightening torque 10 Nm	
WORKING TEMPERATURE:	-20° + 80°C	
THERMOMETER:	double scale 0°C – 80°C	
MATERIALS:	Heads:	polyamide
	Protection:	anodized aluminium
	Screws:	zinc plated
	Seals:	NBR
FLUID COMPATIBILITY:	Full with HH-HL-HM-HV (acc. To ISO 2943). For use with other fluid please contact Filtrec Customer Service (info@filtrec.it).	

ORDERING INFORMATION

	1.	2.	3.	4.
	FL	2	T	M12
1. SERIES	FL			
2. SIZE	1	holes distance 76 mm		
	2	holes distance 127 mm		
	3	holes distance 254 mm		
3. THERMOMETER	0	no thermometer		
	T	with thermometer		
4. FIXING SCREWS	M10	fixing screws M10		
	M12	fixing screws M12		

OVERALL DIMENSIONS



NOMINAL SIZE

CODE	A	D1	D2	D3	H1	H2	H3
FL1	M10 M12	36	30	16	106	40	76
FL2					157	86	127
FL3					284	213	254

