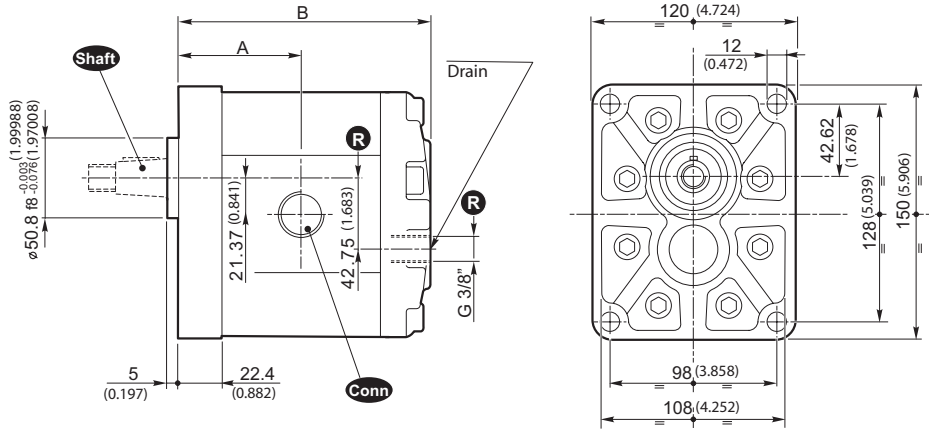


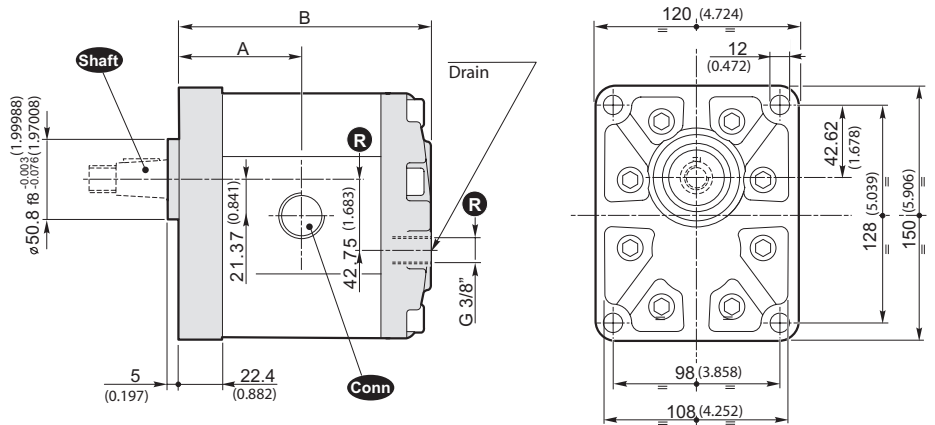
MOTORS GROUP 3 • STANDARD



Flange and cover in Aluminium



Flange and cover in Cast iron



R Only for reversible motors

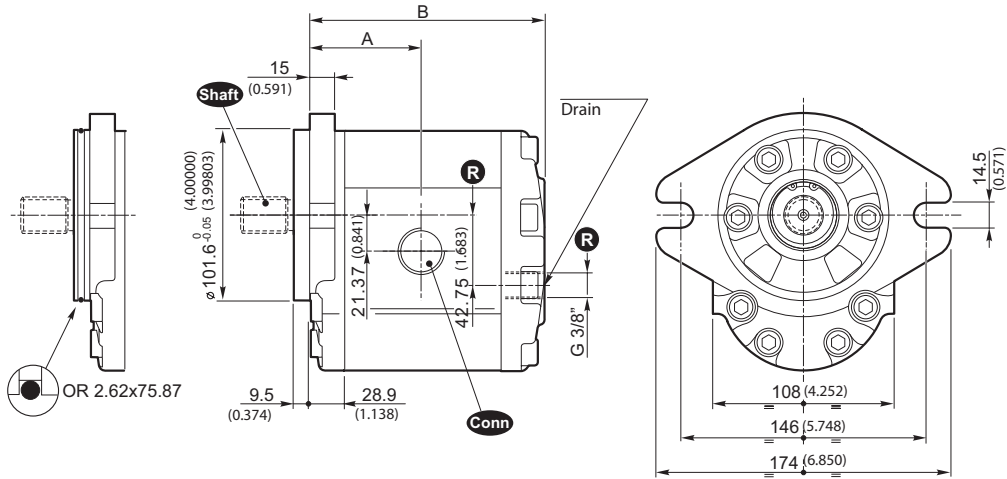
Size	Displacement [cm ³ /rev] [in ³ /rev]	STND (Aluminium)					STND (Cast iron)				
		Dimensions		Mass [Kg] [lbs]	Shaft	Conn	Dimensions		Mass [Kg] [lbs]	Shaft	Conn
		A [mm] [inch]	B [mm] [inch]				A [mm] [inch]	B [mm] [inch]			
3SM 19	19 (1.16)	62.4 (2.457)	128.3 (5.051)	5.23 (11.5)	10 13 14	G N T W F	62.4 (2.457)	128.3 (5.051)	7.53 (16.6)	10 13 14	G N T W F
3SM 22	22.3 (1.36)	63.9 (2.516)	131.3 (5.169)	5.36 (11.8)			63.9 (2.516)	131.3 (5.169)	7.66 (16.9)		
3SM 29	29.3 (1.79)	66.9 (2.634)	137.3 (5.406)	5.64 (12.4)			66.9 (2.634)	137.3 (5.406)	7.94 (17.5)		
3SM 33	32.9 (2.01)	68.4 (2.693)	140.3 (5.524)	5.78 (12.7)			68.4 (2.693)	140.3 (5.524)	8.08 (17.8)		
3SM 36	36.4 (2.22)	69.9 (2.752)	143.3 (5.642)	5.91 (13.0)			69.9 (2.752)	143.3 (5.642)	8.21 (18.1)		
3SM 44	43.5 (2.65)	72.9 (2.870)	149.3 (5.878)	6.19 (13.7)			72.9 (2.870)	149.3 (5.878)	8.49 (18.7)		
3SM 52	51.7 (3.15)	76.4 (3.008)	156.3 (6.154)	6.50 (14.3)			76.4 (3.008)	156.3 (6.154)	8.80 (19.4)		
3SM 62	61.1 (3.73)	80.4 (3.165)	164.3 (6.469)	6.87 (15.1)	80.4 (3.165)	164.3 (6.469)	9.17 (20.2)				

MOTORS GROUP 3 • SAE B, SAE B-OR

SAE B-OR

SAE B

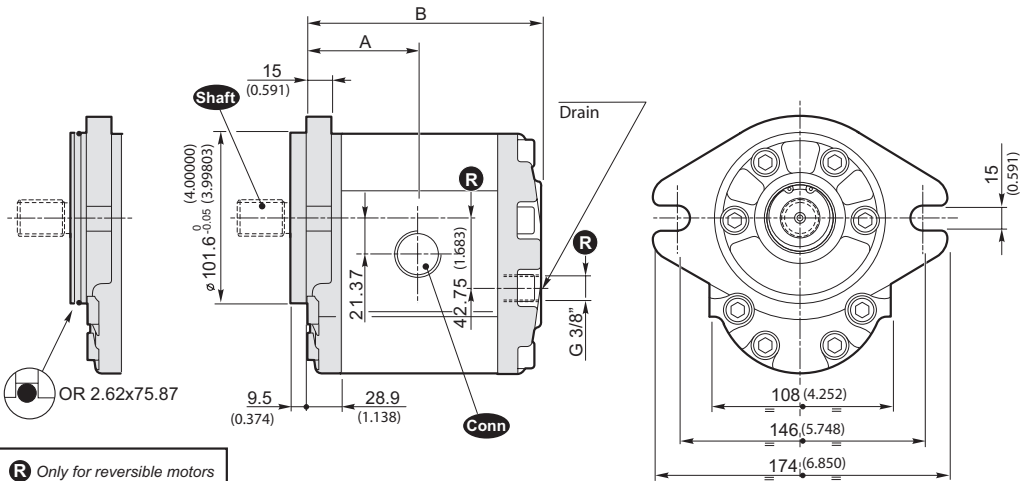
Flange and cover in Aluminium



SAE B-OR

SAE B

Flange and cover in Cast iron



R Only for reversible motors

SAE B, SAE B-OR (Aluminium)

SAE B, SAE B-OR (Cast iron)

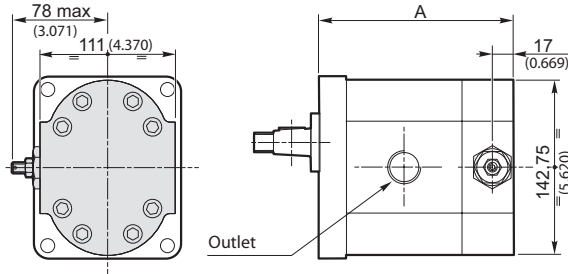
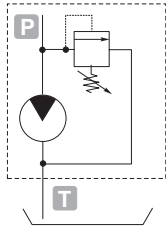
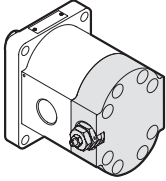
Size	Displacement [cm ³ /rev] (in ³ /rev)	Dimensions		Mass [Kg] (lbs)	Shaft	Conn	Dimensions		Mass [Kg] (lbs)	Shaft	Conn
		A [mm] (inch)	B [mm] (inch)				A [mm] (inch)	B [mm] (inch)			
3SM 19	19 (1.16)	59.4 (2.339)	125.3 (4.933)	5.23 (11.5)	10 13 14	G N T W F	59.4 (2.339)	125.3 (4.933)	7.59 (16.7)	10 13 14	G N T W F
		60.9 (2.398)	128.3 (5.051)	5.36 (11.8)			60.9 (2.398)	128.3 (5.051)	7.72 (17.0)		
3SM 22	22.3 (1.36)	60.9 (2.398)	128.3 (5.051)	5.36 (11.8)			60.9 (2.398)	128.3 (5.051)	7.72 (17.0)		
3SM 29	29.3 (1.79)	63.9 (2.516)	134.3 (5.287)	5.64 (12.4)			63.9 (2.516)	134.3 (5.287)	8.00 (17.6)		
3SM 33	32.9 (2.01)	65.4 (2.575)	137.3 (5.406)	5.78 (12.7)			65.4 (2.575)	137.3 (5.406)	8.14 (18.0)		
3SM 36	36.4 (2.22)	66.9 (2.634)	140.3 (5.524)	5.91 (13.0)			66.9 (2.634)	140.3 (5.524)	8.27 (18.2)		
3SM 44	43.5 (2.65)	69.9 (2.752)	146.3 (5.760)	6.19 (13.7)			69.9 (2.752)	146.3 (5.760)	8.55 (18.9)		
3SM 52	51.7 (3.15)	73.4 (2.890)	153.3 (6.035)	6.50 (14.3)			73.4 (2.890)	153.3 (6.035)	8.86 (19.5)		
3SM 62	61.1 (3.73)	77.4 (3.047)	161.3 (6.350)	6.87 (15.1)			77.4 (3.047)	161.3 (6.350)	9.23 (20.4)		
		77.4 (3.047)	161.3 (6.350)	6.87 (15.1)			77.4 (3.047)	161.3 (6.350)	9.23 (20.4)		

MOTORS GROUP 3 • OPTIONAL



VLP- I (N)

Pressure relief valve with internal exhaust



	A		
	Standard	SAE AA	E32 BX E32 CX
3SM 19	127.3 (5.012)	129.3 (5.091)	124.6 (4.906)
3SM 22	130.3 (5.130)	132.3 (5.209)	127.6 (5.024)
3SM 29	136.3 (5.366)	138.3 (5.445)	133.6 (5.260)
3SM 33	139.3 (5.484)	141.3 (5.563)	136.6 (5.378)
3SM 36	142.3 (5.602)	144.3 (5.681)	139.6 (5.496)
3SM 44	148.3 (5.839)	150.3 (5.917)	145.6 (5.732)
3SM 52	155.3 (6.114)	157.3 (6.193)	152.6 (6.008)
3SM 62	163.3 (6.429)	165.3 (6.508)	160.6 (6.323)

Warning.

The pressure relief valve can be applied by substituting the rear cover.
It is supplied only with aluminium flange and cover.
The showed motor is clockwise rotation.

The opening of the pressure relief valve should be carry out for times not over 7" each minute to avoid the overheating of the pump.

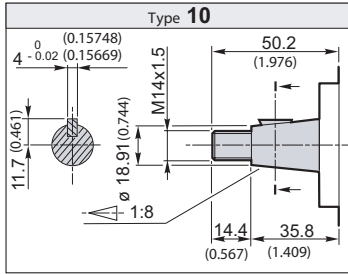
Example of ordering code

3SM	22	D	SAE B	-	10	G	(VT)	VLP-I	(N)
VLP-I	Cover with VLP						VPL-I (at internal exhaust)		
(N)	Spring type						B - N - R (See table)		

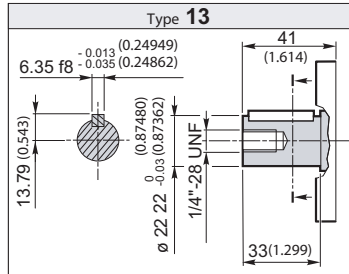
		Spring type		
		B	N	R
		white spring	black spring	red spring
Calibration fields*	[bar] (psi)	10 ÷ 100 (145 ÷ 1450)	30 ÷ 280 (435 ÷ 4060)	80 ÷ 380 (1160 ÷ 5510)

* Without setting request, it will be considered standard (black spring: 2175 psi).

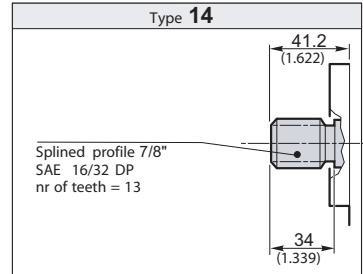
MOTORS GROUP 3 • AVAILABLE SHAFTS



Torque 240 Nm / Torque 177 ft-lbs

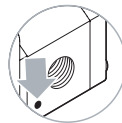
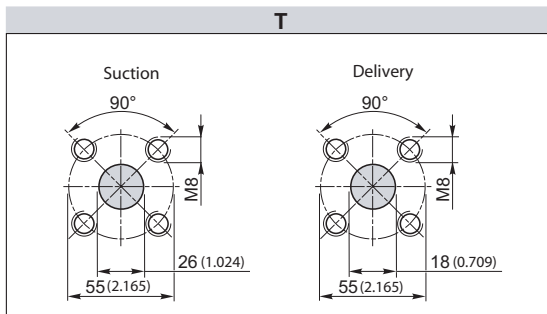
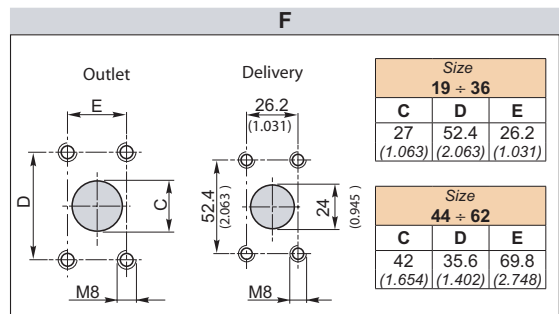
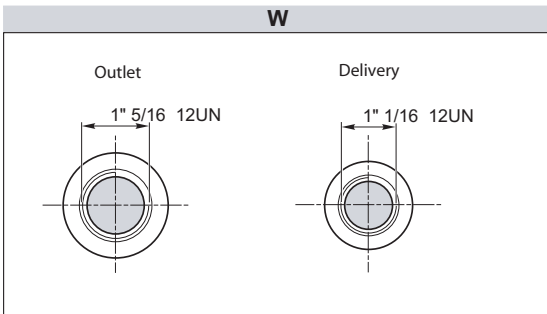
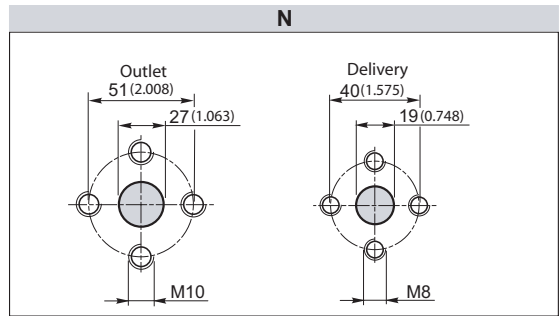
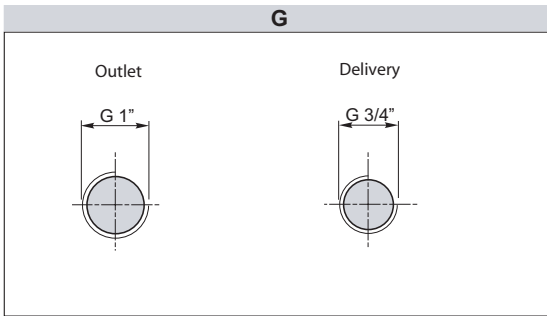


Torque 240 Nm / Torque 177 ft-lbs

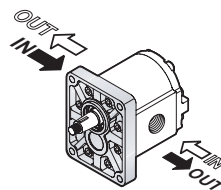


Torque 240 Nm / Torque 177 ft-lbs

PORT CONNECTIONS for D-S motors



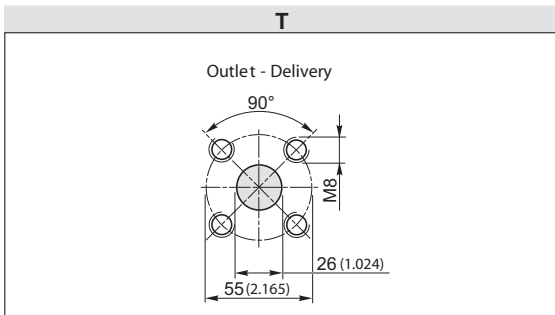
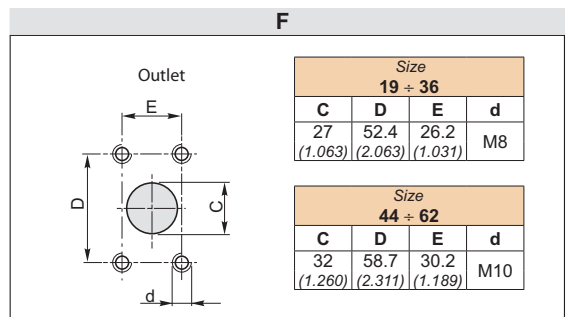
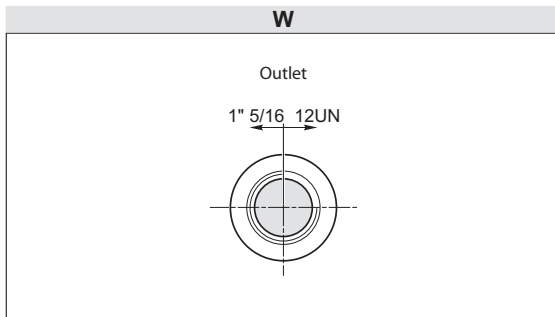
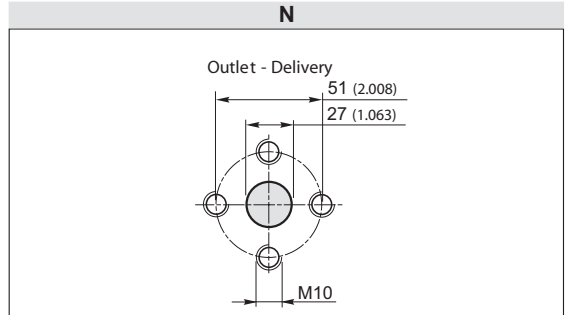
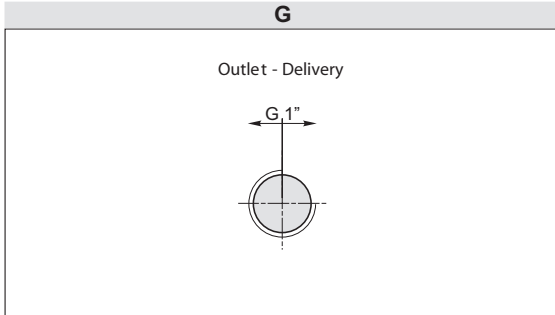
The sign on the body identifies the **outlet side** for the motors.



Connections positions

Rotation	
D	S

MOTORS GROUP 3 • CONNECTIONS FOR R MOTORS



Connections positions

