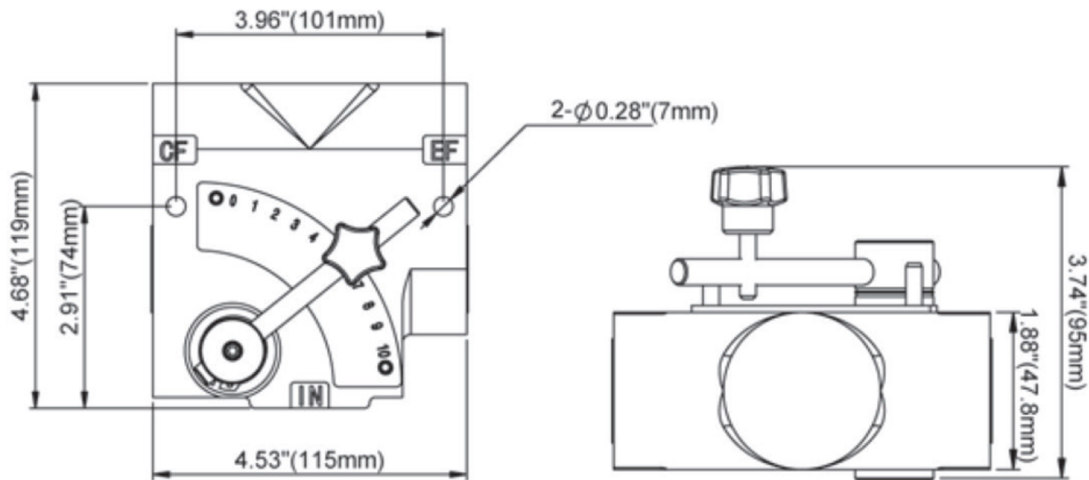
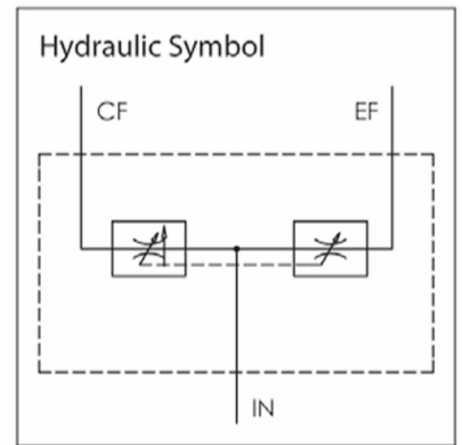


## HYDRAULIC 3 PORT PRESSURE COMPENSATED ADJUSTABLE FLOW CONTROL

THE FLOWFIT HYDRAULIC 3 PORT ADJUSTABLE FLOW CONTROL VALVE WILL START OR STOP A HYDRAULIC CYLINDER OR HYDRAULIC MOTOR AND VARY SPEED OVER A WIDE RANGE. ONCE THE FLOW CONTROL LEVER HAS BEEN POSITIONED A CONSTANT SPEED WILL BE MAINTAINED.

EXCESS FLOW IS RETURNED TO TANK OR USED TO POWER ANOTHER FUNCTION VIA PORT 'EF'.  
IN = INPUT FLOW, CF= CONTROLLED FLOW AND EF= EXCESS FLOW.

THE FLOW CONTROL VALVE IS PRESSURE COMPENSATED TO MAINTAIN A CONSTANT OUTPUT FLOW DESPITE PRESSURE CHANGES ON THE CONTROLLED FLOW OR EXCESS FLOW LINE OR LOAD VARIATIONS



### SPECIFICATIONS

- 3000 PSI MAX OPERATION PRESSURE
- MAX FLOW CAPACITY: 30gpm / 114l/min
- SIDE PORT CONFIGURATION
- ONCE SET, MAINTAINS CONSTANT SPEED REGARDLESS OF LOAD VARIATION
- EXCESS FLOW IS RETURNED TO TANK OR USED TO POWER ANOTHER FUNCTION
- ALL PORTS 3/4" BSP
- PLUGGING 'EF' EXCESS FLOW PORT ALLOW USE WITH PRESSURE COMPENSATED PUMPS
- BOTH OUTLETS ARE PRESSURE COMPENSATED