

PETROL + DIESEL ENGINE BELL HOUSING AND DRIVE COUPLING KITS

PETROL ENGINE BELL HOUSING AND DRIVE COUPLING KITS.....431
DIESEL ENGINE BELL HOUSING AND DRIVE COUPLING KITS.....437

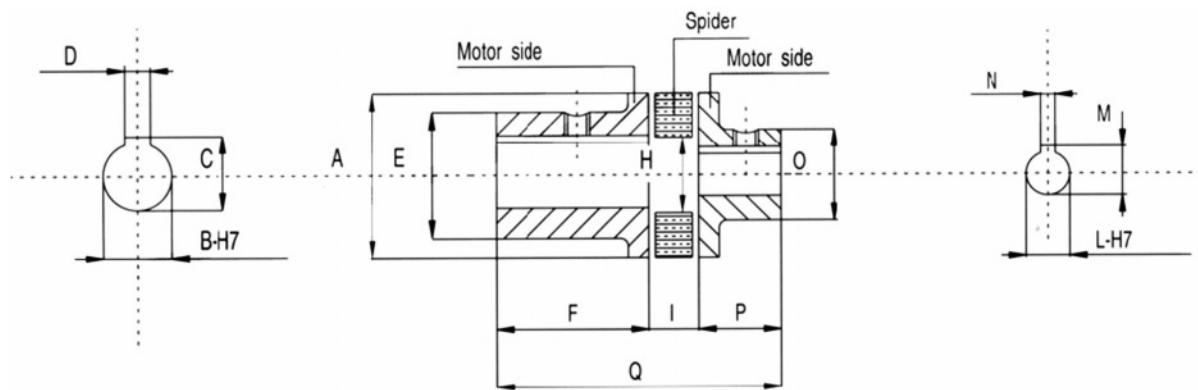


DRIVE COUPLINGS FOR PETROL ENGINES AND OIL-HYDRAULIC PUMPS

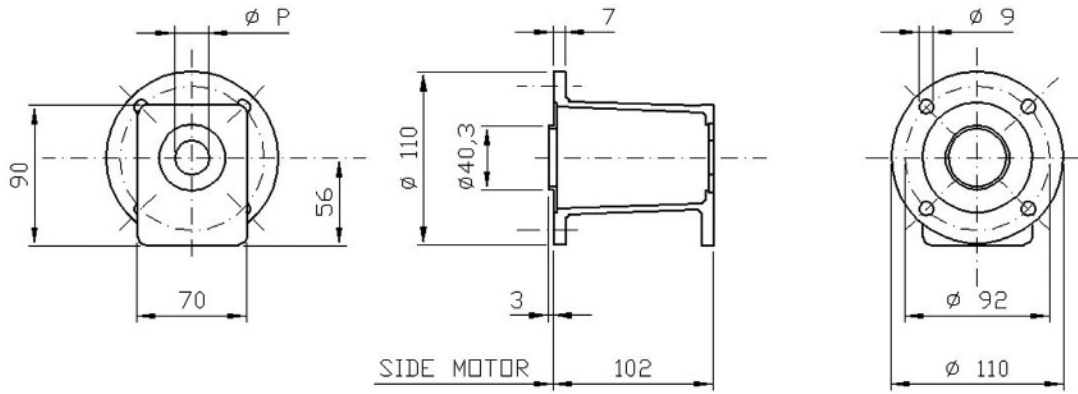
They are composed of two hubs, a motor and a pump side, with an interposed rubber spider made of heat and oil-proof elastic material. They allow reliable and low noise at high speeds. They also allow to compensate small radial, axial and angular misalignments. HC series is made in aluminium.

TECHNICAL DATA				
TYPE GN	MAX COUPLE Nm	MISALIGNMENT MAX		
		RADIAL	AXIAL	ANGULAR
		mm	mm	°
100	11,5	0,4	1	1°30'
300	11,5	0,8	1,3	1°30'
500	310	1	1,8	1°30'

Working temperature -20 + 80° C



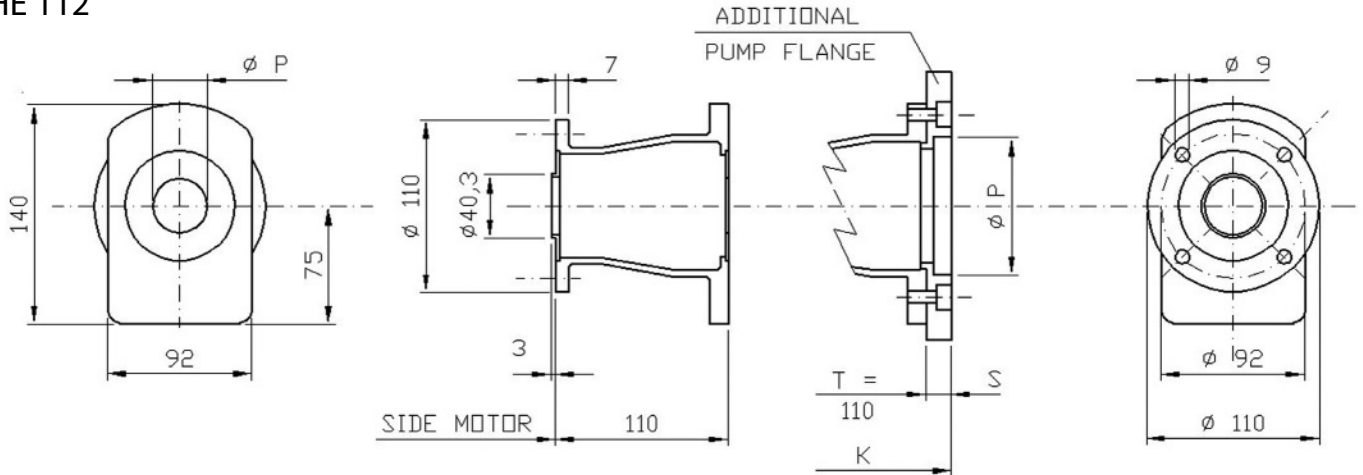
ELASTIC COUPLING																
TYPE GN	MOTOR HALF						SPIDER				PUMP HALF					
	TYPE	A	L min	L max	E	F max	TYPE	A	H	I	TYPE	A	L min	L max	O	P max
100	HC1***-050	42	16	20	36	50	ER100	42	22	15	HC1***- A020	42	8	16	28	20
											HC1***-B030	42	8	16	28	30
300	HC3***-048	65	18	24	46	48	ER300	65	30	20	HC3***- A022	65	12	20	36	22
											HC3***-B035	65	12	28	46	35
											HC3***- C045	65	22	28	46	45
500	HC5***-080	95	22	40	70	80	ER500	95	46	26	HC5***- A025	95	12	22	50	25
											HC5***-B035	95	12	28	56	35
											HC5***- C048	95	22	40	70	48



BELL-HOUSING			PUMP HOLE TYPE	PUMP FACE MACHINING					HEIGHT		ELASTIC COUPLING			
CODE	PUMP SIDE ADAPTOR RING	PUMP CODE		NO HOLES	L	M	N	O	P	T	MOTOR HALF	SPI- DER	PUMP HALF	MA X TORQUE Nm
BHE111 C/01	AR 1/01	05M	RECTANGU- RAL FOR GEAR PUMPS	2	-	66	25,6	M6	22	102	HC1***-050	ER100	HC105A	11,5
BHE111 C/01	AR 1/01	05T		2	-	66	25,6	M6	22	102			HC105B	
BHE111 C/02	AR 1/02	1PM		4	52,4	72	26,2	M6	25,4	102			HC101A	
BHE111 C/03	AR 1/03	1MM		4	56	73	24,5	M6	30	102			HC101B	
BHE111/16	-	1ZB		2	40	40	10,3	M8	32	102			HC101D	

*** Machining code see tab 02.2 pag 20

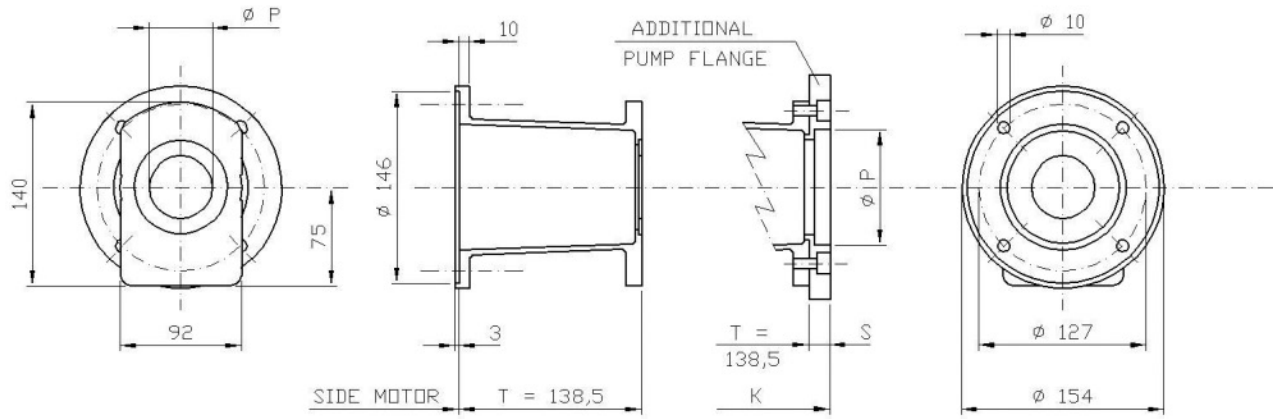
BHE 112



BELL-HOUSING			PUMP CODE	PUMP FACE MACHINING	PUMP FACE MACHINING					HEIGHT			ELASTIC COUPLING				
CODE	ADDITIONAL PUMP FLANGE	PUMP SIDE ADAPTOR RING			N. HOLES	L	M	N	O	P	S	T	K	MOTOR HALF	SPI- DER	PUMP HALF	MA X TORQUE Nm
BHE112C/04	-	AR 3/04	02M-02C	RECTANGU- RAL FOR GEAR PUMPS	4	71,5	96	32,5	M8	36,5	-	110	-	HC3***-048	ER300	HC302A-B	115
BHE112/17	-	-	2ZF		4	72	100	34,5	M8	80	-	110	-	HC3***-048	ER300	HC302D	115
BHE112/17	FR10C/05	AR 3/06	03M		4	98,5	128	43	M8	50,8	16	110	126			HC303A	
BHE112/17	FR10C/06	AR 3/06	03C		4	98,5	128	42	M10	50,8	16	110	126			HC3***-***	
BHE112/17	FR10C/07	AR 3/06	03T		4	98,5	137	45	M10	50,8	16	110	126				
BHE112/080 A	-	-	080A	FOR SAE/ISO STANDARDS	2	100	-	-	M10	80	-	110	-	HC3***-048	ER300	HC3***-***	115
BHE112/080B	-	-	080B		2	110	-	-	M10	80	-	110	-				
BHE112/080E	-	-	080E		4	100	-	-	M8	80	-	110	-				
BHE112/082 A	-	-	082A		2	106,4	-	-	M10	82,55	-	110	-				

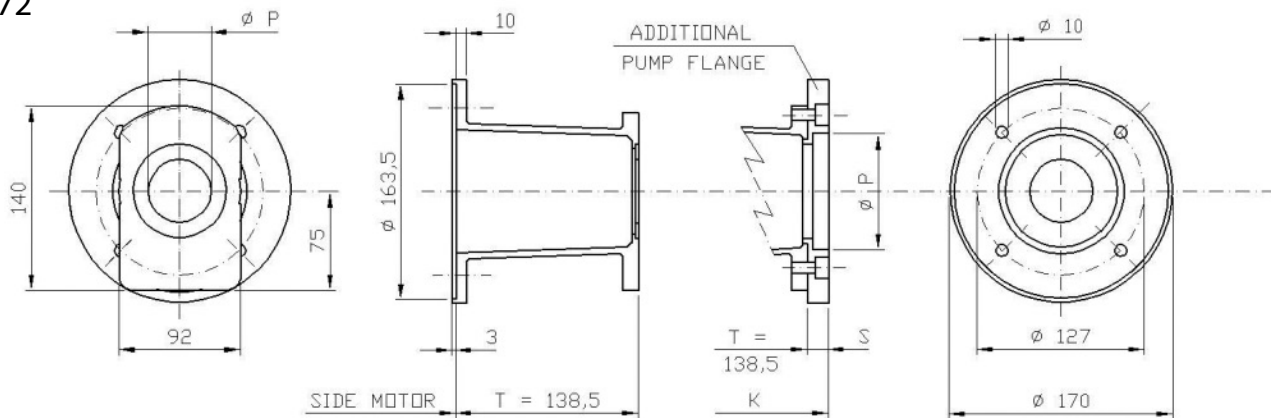
BHE - BELL-HOUSINGS FOR PETROL ENGINES

BHE 152



BELL-HOUSING			PUMP CODE	PUMP HOLE TYPE	PUMP FACE MACHINING								HEIGHT			ELASTIC COUPLING			MAX TORQUE Nm
CODE	ADDITIONAL PUMP FLANGE	ADAPTOR			N. HOLES	L	M	N	O	P	S	T	K	MOTOR HALF	SPIDER	PUMP HALF			
BHE152 C/02	-	AR 3/02	1PM	RECTANGULAR FOR GEAR PUMPS	4	52,4	72	26,2	M6	25,4	-	138,5	-	HC3***-048	ER300	HC301 A	115		
BHE152 C/03	-	AR 3/03	1MM		4	56	73	24,5	M6	30	-	138,5	-			HC301B			
BHE152/16	-	-	1ZB		2	40	40	10,3	M8	32	-	138,5	-			HC301D			
BHE152 C/04	-	AR 3/04	02M-02C		4	71,5	96	32,5	M8	36,5	-	138,5	-	HC3***-048	ER300	HC302 A-B			
BHE152/17	-	-	2ZF		4	72	100	34,5	M8	80	-	138,5	-			HC302D			
BHE152/17	FR10C/05	AR 3/06	03M		4	98,5	128	43	M8	50,8	16	138,5	154,5			HC303 A			
BHE152/17	FR10C/06	AR 3/06	03C		4	98,5	128	42	M10	50,8	16	138,5	154,5						
BHE152/17	FR10C/07	AR 3/06	03T		4	98,5	137	45	M10	50,8	16	138,5	154,5						
BHE152/080 A	-	-	080 A		OVAL AND SQUARE FOR SAE AND ISO STANDARD	2	100	-	-	M10	80	-	138,5	-	HC3***-048	ER300		HC3***-***	115
BHE152/080B	-	-	080B			2	110	-	-	M10	80	-	138,5	-					
BHE152/080E	-	-	080E	4		100	-	-	M8	80	-	138,5	-						
BHE152/082 A	-	-	082 A	2		106,4	-	-	M10	82,55	-	138,5	-						
BHE152/080U	FR60/100B	-	100B	2		140	-	-	M12	100	29	138,5	167,5						
BHE152/080U	FR60/100G	-	110G	4		125	-	-	M10	100	29	138,5	167,5						
BHE152/080U	FR60/101B	-	101B	2		146	-	-	M12	101,6	29	138,5	167,5						
BHE152/080U	FR60/101D	-	101D	4		127	-	-	M12	101,6	29	138,5	167,5						

BHE 172



BELL-HOUSING			PUMP CODE	PUMP HOLE TYPE	PUMP FACE MACHINING								HEIGHT			ELASTIC COUPLING			MAX
CODE	ADDITIONAL PUMP FLANGE	PUMP SIDE ADAPTOR RING			N°	L	M	N	O	P	S	T	K	MOTOR	SPIDER	PUMP			
BHE172 C/02	-	AR 3/02	1PM	RECTANGULAR FOR GEAR PUMP	4	52,4	72	26,2	M6	25,4	-	138,5	-	HC3***-048	ER300	HC301 A	115		
BHE172 C/03	-	AR 3/03	1MM		4	56	73	24,5	M6	30	-	138,5	-			HC301B			
BHE172/16	-	-	1ZB		2	40	40	10,3	M8	32	-	138,5	-			HC301D			
BHE172 C/04	-	AR 3/04	02M-02C		4	71,5	96	32,5	M8	36,5	-	138,5	-	HC3***-048	ER300	HC302 A-B			
BHE172/17	-	-	2ZF		4	72	100	34,5	M8	80	-	138,5	-			HC302D			
BHE172/17	FR10C/05	AR 3/06	03M		4	98,5	128	43	M8	50,8	16	138,5	154,5			HC303 A			
BHE172/17	FR10C/06	AR 3/06	03C		4	98,5	128	42	M10	50,8	16	138,5	154,5						
BHE172/17	FR10C/07	AR 3/06	03T		4	98,5	137	45	M10	50,8	16	138,5	154,5						
BHE172/080 A	-	-	080 A		OVAL AND SQUARE FOR SAE AND ISO STANDARD	2	100	-	-	M10	80	-	138,5	-	HC3***-048	ER300		HC3***-***	115
BHE172/080B	-	-	080B			2	110	-	-	M10	80	-	138,5	-					
BHE172/080E	-	-	080E	4		100	-	-	M8	80	-	138,5	-						
BHE172/082 A	-	-	082 A	2		106,4	-	-	M10	82,55	-	138,5	-						
BHE172/080U	FR60/100B	-	100B	2		140	-	-	M12	100	29	138,5	167,5						
BHE172/080U	FR60/100G	-	110G	4		125	-	-	M10	100	29	138,5	167,5						
BHE172/080U	FR60/101B	-	101B	2		146	-	-	M12	101,6	29	138,5	167,5						
BHE172/080U	FR60/101D	-	101D	4		127	-	-	M12	101,6	29	138,5	167,5						

Flowfit offer a full range of bell housings and drive couplings to suit Honda and Loncin engines from stock, we offer a selection of bell housings and drive couplings to be fitted with all major brands on the market, if you aren't sure please contact the Flowfit sales team for full information.

Brands covered include Honda, Loncin, Lister Petter, LaUntop, Kohler, Villiers, Briggs and Stratton and many more.

BELL HOUSINGS		
PART NUMBER	DESCRIPTION	LIST PRICE
BHE111C02AR102	BELL HOUSING GROUP 1 PUMP TO HONDA PETROL ENGINE GX120, GX160, GX200, LONCIN ENGINE G120, G160, G200	£84.42
BHE152C02AR302	BELL HOUSING GROUP 1 PUMP TO HONDA PETROL ENGINE GX240, GX270, GX340, GX390, LONCIN ENGINE G240, G270, G340, G390	£123.94
BHE152C04AR304	BELL HOUSING GROUP 2 PUMP TO HONDA PETROL ENGINE GX240, GX270, GX340, GX390 LONCIN ENGINE G240, G270, G340, G390	£87.22
BHE112C/04	PETROL ENGINE BELL HOUSING GROUP 2 PUMP TO HONDA ENGINE GX120, GX160, GX200 LONCIN ENGINE G120, G160, G200	£81.45
BHE112/045A	PETROL ENGINE BELL HOUSING HI-LO PUMP TO HONDA ENGINE GX120, GX160, GX200, LONCIN ENGINE G120, G160, G200	£82.17
BHE152/045A	PETROL ENGINE BELL HOUSING HI-LO PUMP TO HONDA ENGINE GX240, GX270, GX340, GX390 LONCIN ENGINE G240, G270, G340, G390	£84.80

SEE TECHNICAL DRAWINGS FOR BELL HOUSING DIMENSIONS



DRIVE COUPLINGS		
PART NUMBER	DESCRIPTION	LIST PRICE
HC119MC050E100HC101A	DRIVE COUPLING GRP 1 PUMP TO HONDA PETROL ENGINES GX120, GX160, GX200 3/4" AND LONCIN G120, G160, G200 3/4"	£20.18
HC325NC048ER300HC301A	DRIVE COUPLING GRP 1 PUMP TO HONDA PETROL ENGINE GX240, GX270, GX340, GX390 1" AND LONCIN G240, G270, G340, G390 1"	£35.96
HC325NC048ER300HC302AB	DRIVE COUPLING GRP 2 PUMP TO HONDA GX240, GX270, GX340, GX390 1" AND LONCIN G240, G270, G340, G390 1"	£32.78
HC319MC048ER300HC302AB	PETROL ENGINE DRIVE COUPLING GRP 2 PUMP TO HONDA GX120 GX160 GX200 3/4" AND LONCIN G120, G160, G200 3/4"	£35.87
HC219MC048ER200HC212HB03	PETROL ENGINE DRIVE COUPLING HI-LO PUMP TO HONDA GX120, GX160, GX200 3/4" AND LONCIN G120, G160, G200 3/4"	£50.16
HC325NC048ER300HC312	PETROL ENGINE DRIVE COUPLING HI-LO PUMP TO HONDA GX240, GX270, GX340, GX390, 1" Q SHAFT AND LONCIN G240, G270, G340, G390 1" Q SHAFT	£42.48

SEE TECHNICAL DRAWINGS FOR BELL HOUSING DIMENSIONS



LISTED IN/BY ENGINE TYPE		
PART NUMBER	DESCRIPTION	LIST PRICE
ZZ004727	BELL HOUSING AND DRIVE COUPLING ENGINE KIT. TO SUIT GROUP 1 PUMP SUITS HONDA GX120, GX160 AND GX200 SUITS LONCIN G120, G160 AND G200 KIT COMPRISING:- BHE111C02 BELL HOUSING, HC119MC050 ENGINE HALF, ER100 SPIDER AND HC101A PUMP HALF	£105.32
ZZ004724	BELL HOUSING AND DRIVE COUPLING ENGINE KIT. TO SUIT GROUP 1 PUMP SUITS HONDA GX240, GX270, GX340 AND GX390 SUITS LONCIN G240, G270, G340 AND G390 KIT COMPRISING:- BHE152C02 BELL HOUSING, HC325NC048 ENGINE HALF, ER300 SPIDER, HC301A PUMP HALF AND AR3/02 ADAPTOR RING	£159.89
ZZ004729	BELL HOUSING AND DRIVE COUPLING ENGINE KIT TO SUIT GROUP 2 PUMP. SUITS HONDA GX120, GX160 AND GX200 SUITS LONCIN G120, G160 AND G200 KIT COMPRISING BHE 112C/04 BELL HOUSING, HC319MC048 ENGINE HALF, ER300 SPIDER, HC302AB PUMP HALF AND AR3/02 ADAPTOR RING.	£115.58
ZZ004725	BELL HOUSING AND DRIVE COUPLING ENGINE KIT TO SUIT GROUP 2 PUMP. SUITS HONDA GX240, GX270, GX340 AND GX390 SUITS LONCIN G240, G270, G340 AND G390 KIT COMPRISING :- BHE152C04 BELL HOUSING, HC325NC048 ENGINE HALF, ER300 SPIDER, HC302AB PUMP HALF AND AR3/04 ADAPTOR RING	£119.14
ZZ004728	BELL HOUSING AND DRIVE COUPLING ENGINE KIT TO SUIT HI-LO PUMP SUITS HONDA GX120, GX160 AND GX200 SUITS LONCIN G120, G160 AND G200 KIT COMPRISING BHE112/045A BELL HOUSING, HC219MC048 ENGINE HALF, HC212HB035 PUMP HALF AND ER200 SPIDER.	£133.18
ZZ004726	BELL HOUSING AND DRIVE COUPLING ENGINE KIT TO SUIT HI-LO PUMP SUITS HONDA GX240, GX270, GX340 AND GX390 SUITS LONCIN G240, G270, G340 AND G390 KIT COMPRISING BHE152/045A BELL HOUSING, HC325NC048 ENGINE HALF, HC312HB035 PUMP HALF AND ER300 SPIDER	£127.28



ZZ004724



ZZ004725



ZZ004726



ZZ004727



ZZ004728



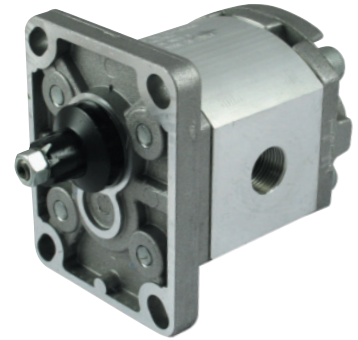
ZZ004729

DIESEL ENGINE BELL HOUSING AND DRIVE COUPLING KITS **FLOWFIT**

STANDARD GROUP 1 KIT SUITS HATZ 1B20



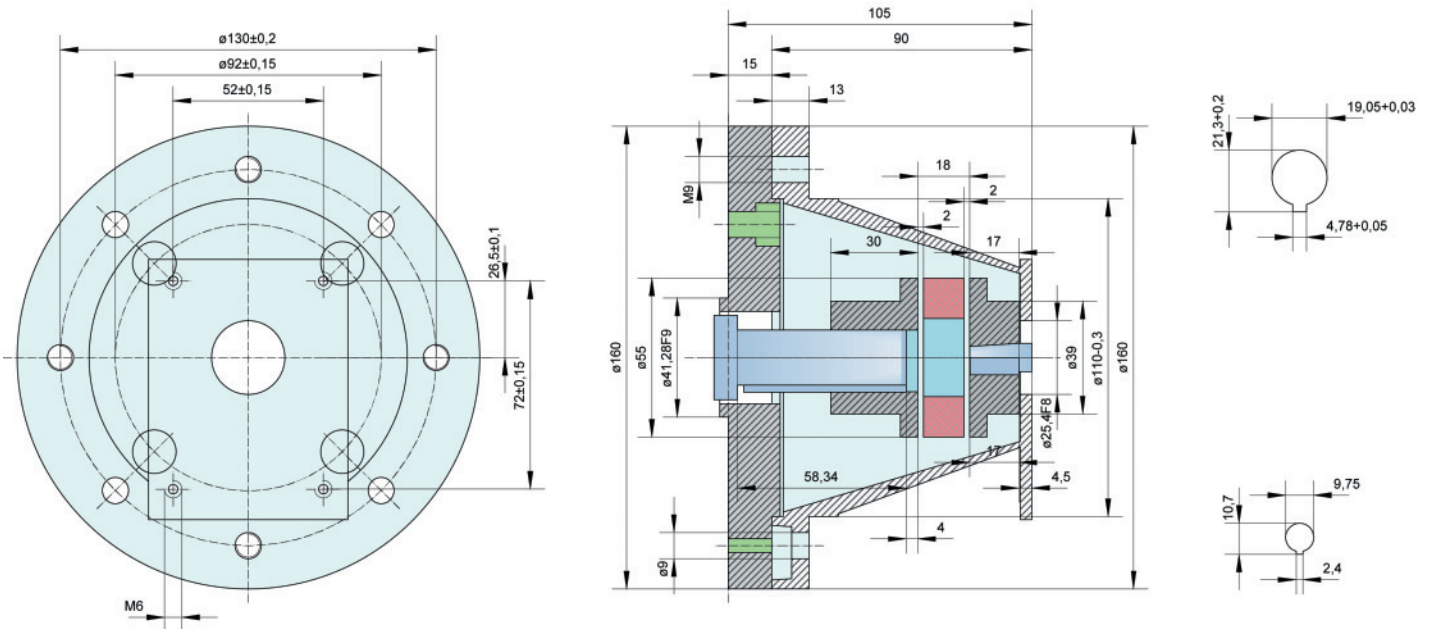
FITS THIS PUMP:



(PUMP NOT INCLUDED IN KIT)

DIESEL ENGINE BELL HOUSING AND DRIVE COUPLING KIT.
FITS GROUP 1 PUMP AND THE FOLLOWING ENGINE TYPES

PART NO.		LIST PRICE
ZZ002363	1B20 4.2HP	£182.34



STANDARD GROUP 2 KIT SUITS HATZ 1B20

FITS THIS PUMP:

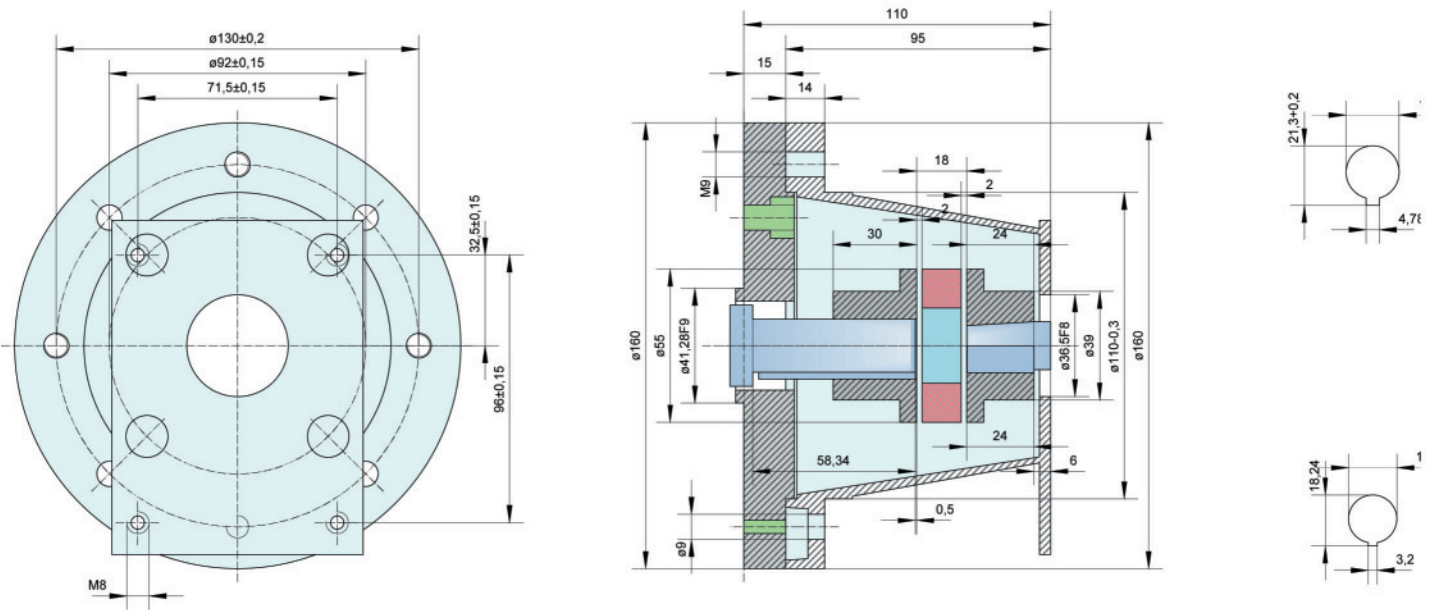


(PUMP NOT INCLUDED IN KIT)



DIESEL ENGINE BELL HOUSING AND DRIVE COUPLING KIT.
FITS GROUP 2 PUMP AND THE FOLLOWING ENGINE TYPES

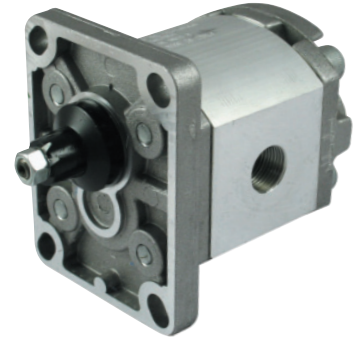
PART NO.		LIST PRICE
ZZ002364	1B20 4.2HP	£246.13



STANDARD GROUP 1 KIT SUITS HATZ 1B40



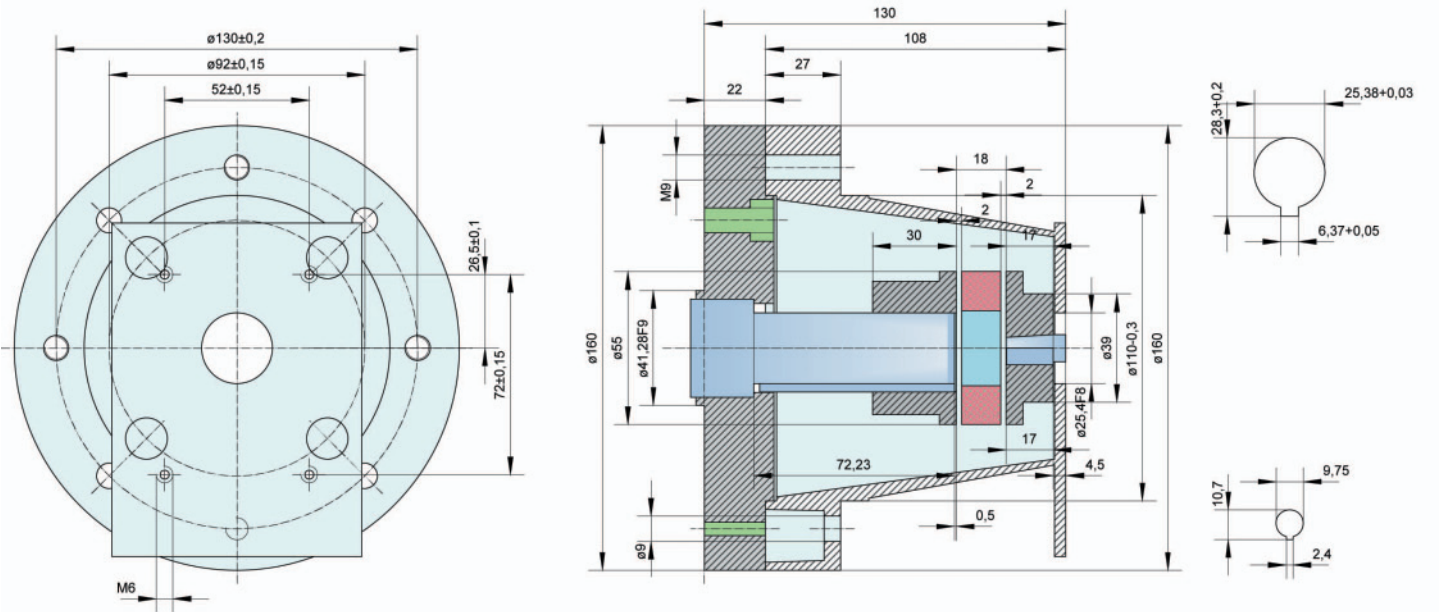
FITS THIS PUMP:



(PUMP NOT INCLUDED IN KIT)

**DIESEL ENGINE BELL HOUSING AND DRIVE COUPLING KIT.
FITS GROUP 1 PUMP AND THE FOLLOWING ENGINE TYPES**

PART NO.		LIST PRICE
ZZ002365	1B40 9.2HP	£293.80



STANDARD GROUP 2 KIT SUITS HATZ 1B40

FITS THIS PUMP:



(PUMP NOT INCLUDED IN KIT)



**DIESEL ENGINE BELL HOUSING AND DRIVE COUPLING KIT.
FITS GROUP 2 PUMP AND THE FOLLOWING ENGINE TYPES**

PART NO.		LIST PRICE
ZZ002366	1B40 9.2HP	£336.43

